



# T&S BRASS AND BRONZE WORKS, INC.

2 Saddleback Cove / P.O. Box 1088  
Travelers Rest, SC 29690

Model No.

**B-0279**

Item No.

Travelers Rest, SC: 800-476-4103 • Simi Valley, CA: 800-423-0150 • Fax: 864-834-3518 • www.tsbrass.com

This Space for Architect/Engineer Approval

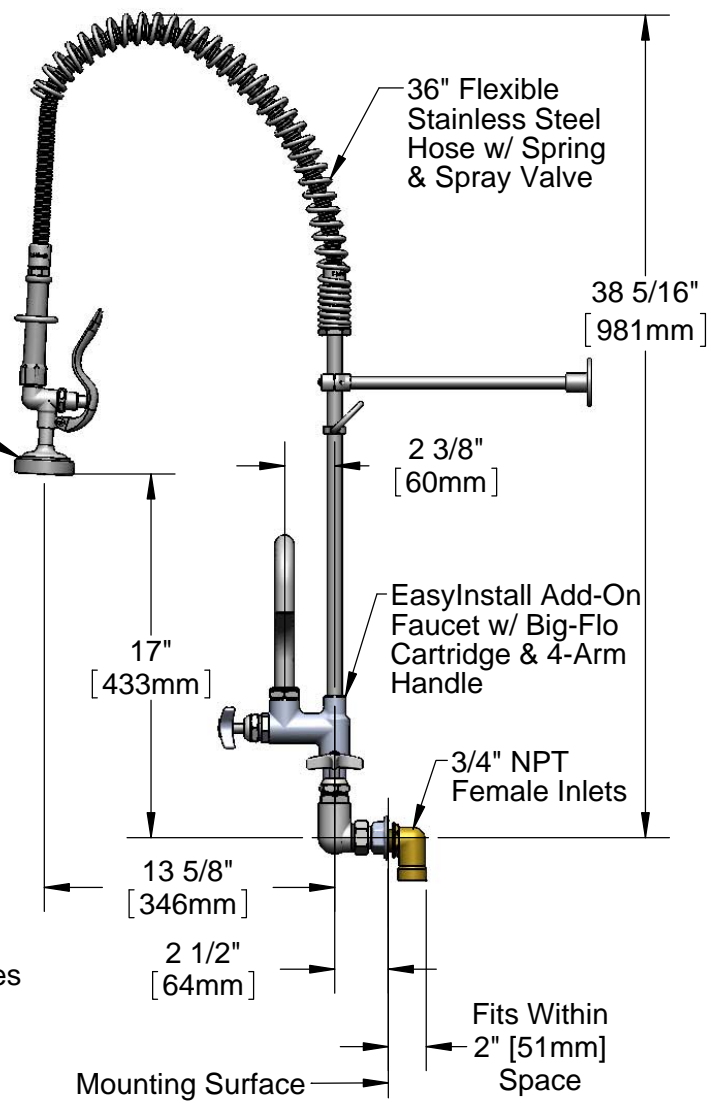
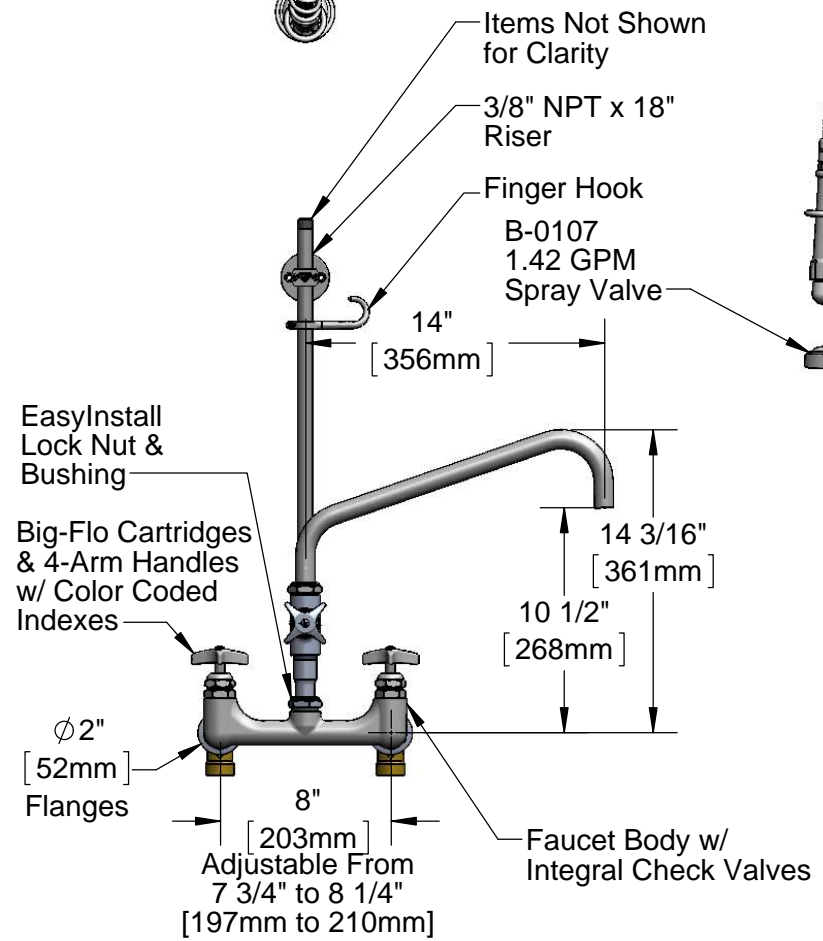
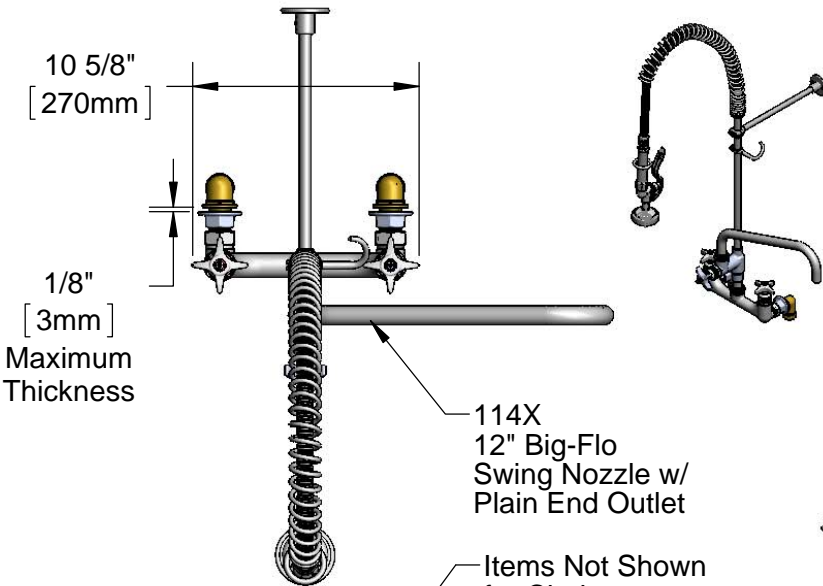
Job Name \_\_\_\_\_ Date \_\_\_\_\_

Model Specified \_\_\_\_\_ Quantity \_\_\_\_\_

Customer/Wholesaler \_\_\_\_\_

Contractor \_\_\_\_\_

Architect/Engineer \_\_\_\_\_



Rough-In Requirement:  
(2)  $\phi$  1 1/4" [32mm] Mounting Holes

Product Specifications:  
Pre-Rinse Unit: EasyInstall 8" Wall Mount Big-Flo Mixing Faucet, Big-Flo Cartridges, Check Valves, 4-Arm Handles, Big-Flo Add-On Faucet, 14" Swing Nozzle, 36" Flexible Stainless Steel Hose, 1.42 GPM Spray Valve & 3/4" NPT Female Inlets

Product Compliance:  
ASME A112.18.1 / CSA B125.1  
NSF 61 - Section 9  
NSF 372 (Low Lead Content)  
EPA 2005 (PRSV)



# T&S BRASS AND BRONZE WORKS, INC.

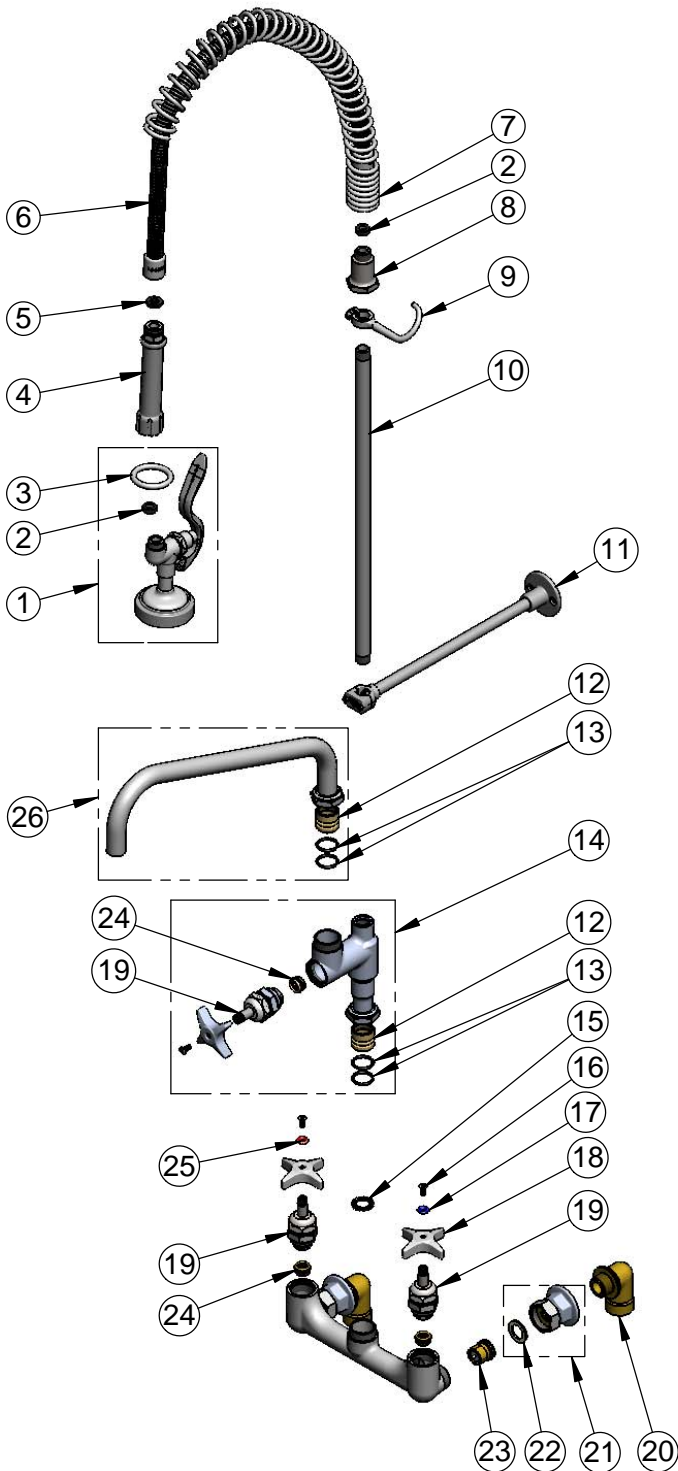
2 Saddleback Cove / P.O. Box 1088  
Travelers Rest, SC 29690

Model No.

**B-0279**

Item No.

Travelers Rest, SC: 800-476-4103 • Simi Valley, CA: 800-423-0150 • Fax: 864-834-3518 • www.tsbrass.com



ITEM NO.	SALES NO.	DESCRIPTION
1	B-0107	1.42 GPM Spray Valve
2	010476-45	#27 Washer
3	000907-45	Spray Valve Hold Down Ring
4	002987-40	Grip Handle
5	001014-45	Washer, B-0100 Hose Barrel
6	B-0036-H2A	36" Flexible Stainless Steel Hose, Less Handle
7	000888-45	EasyInstall Overhead Spring
8	000821-40	Spring Body
9	004R	Finger Hook
10	000369-40	3/8" NPT x 18" Riser
11	B-0109-03	12" Adjustable Wall Bracket
12	000847-20	Big-Flo Swivel Piece
13	001068-45	O-ring
14	B-0286-LNEZ	EasyInstall Big-Flo Add-On Faucet
15	016807-45	Serrated Lock Washer
16	000922-45	Lever Handle Screw
17	001660-45	Blue Index-CW
18	002521-45	4-Arm Handle
19	006482-40	Big-Flo Cartridge, RTC
20	00LL	3/4" Short Elbow Inlet
21	00BB	3/4" NPT Female Eccentric Flange
22	001019-45	Coupling Nut Washer
23	016902-20	Big-Flo Check Valve
24	000764-20	Seat, Big-Flo
25	001661-45	Red Index-HW
26	014462-40	14" Big-Flo Swivel Nozzle

**Product Specifications:**

Pre-Rinse Unit: EasyInstall 8" Wall Mount Big-Flo Mixing Faucet, Big-Flo Cartridges, Check Valves, 4-Arm Handles, Big-Flo Add-On Faucet, 14" Swing Nozzle, 36" Flexible Stainless Steel Hose, 1.42 GPM Spray Valve & 3/4" NPT Female Inlets

**Product Compliance:**

ASME A112.18.1 / CSA B125.1  
NSF 61 - Section 9  
NSF 372 (Low Lead Content)  
EPA Act 2005 (PRSV)