



T&S BRASS AND BRONZE WORKS, INC.

2 Saddleback Cove / P.O. Box 1088
Travelers Rest, SC 29690

Model No.

B-0250-BRASS

Item No.

Travelers Rest, SC: 800-476-4103 • Simi Valley, CA: 800-423-0150 • Fax: 864-834-3518 • www.tsbrass.com



ADA Compliant

This Space for Architect/Engineer Approval

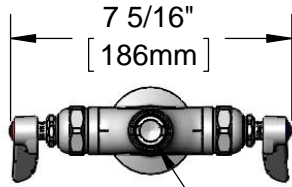
Job Name _____ Date _____

Model Specified _____ Quantity _____

Customer/Wholesaler _____

Contractor _____

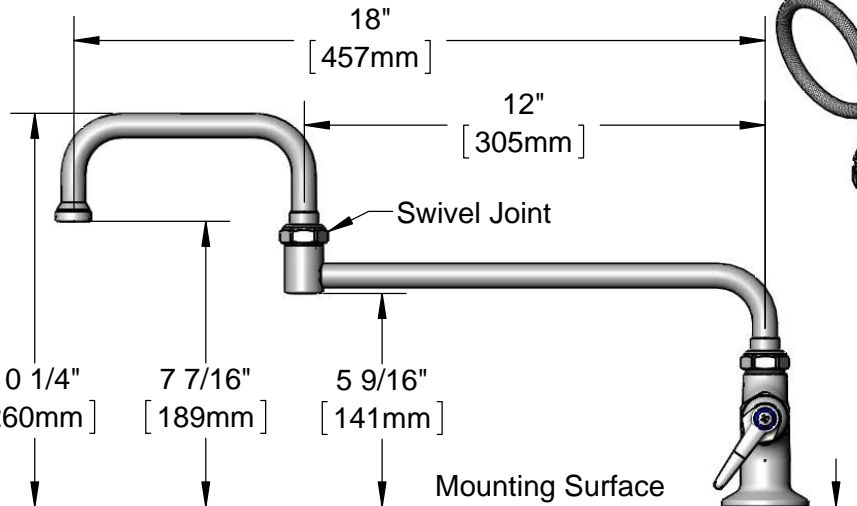
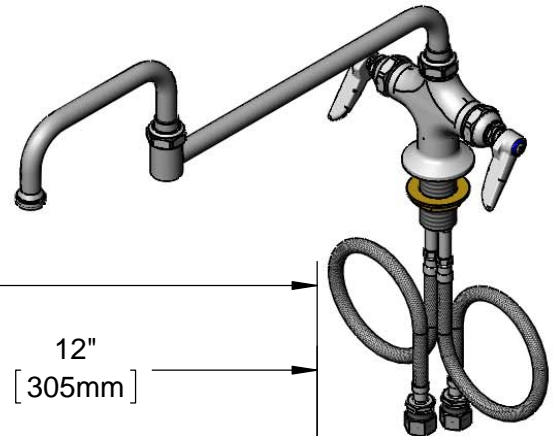
Architect/Engineer _____



7 5/16"
[186mm]

Items Not Shown
for Clarity

068X
18" Double Joint Swing Nozzle
w/ Stream Regulator Outlet



2 5/16"
[59mm]

Swivel Joint

10 1/4"
[260mm]

7 7/16"
[189mm]

5 9/16"
[141mm]

Mounting Surface

Eterna Cartridges &
Brass Lever Handles w/
Color Coded Indexes

Ø 2 1/4" [57mm]
Flange w/
Ø 1 1/8" Shank

1"
[25mm]
Maximum
Thickness

18" Flexible Stainless
Steel Supply Hoses

Compression Fittings
for 5/8" O.D. Copper Tubing
(Remove Compression Nut
for 1/2" NPSM Male)

Rough-In Requirement:
Ø 1 1/2" [38mm] Mounting Hole

Product Specifications:

Single Hole Deck Mount Mixing Faucet, Eterna Cartridges, Brass Lever Handles, 18" Double Joint Swing Nozzle w/ Stream Regulator Outlet & 18" Flexible Stainless Steel Supply Hoses w/ 1/2" NPSM Male Inlets

Product Compliance:

NSF 61 - Section 9
NSF 372 (Low Lead Content)
ANSI A117.1 (ADA)



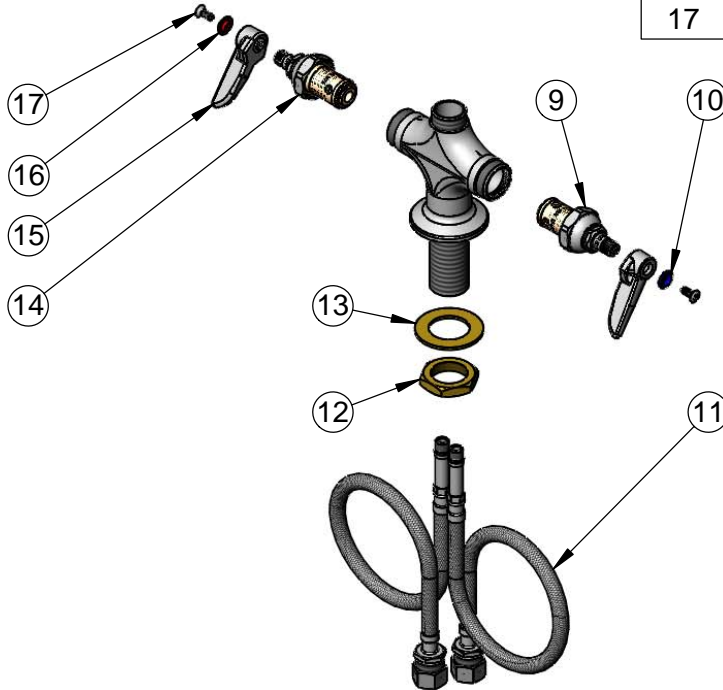
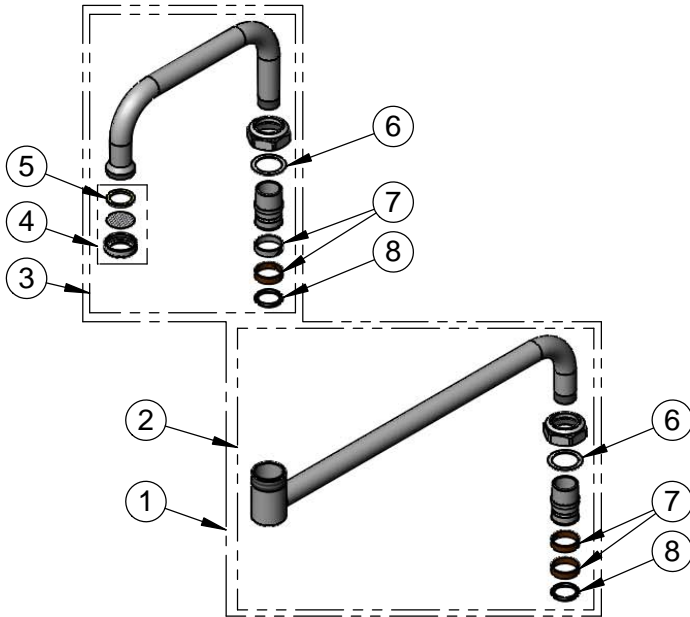
T&S BRASS AND BRONZE WORKS, INC.
 2 Saddleback Cove / P.O. Box 1088
 Travelers Rest, SC 29690

Model No.
B-0250-BRASS

Item No.

Travelers Rest, SC: 800-476-4103 • Simi Valley, CA: 800-423-0150 • Fax: 864-834-3518 • www.tsbrass.com

ITEM NO.	SALES NO.	DESCRIPTION
1	068X	18" Double Joint Swing Nozzle
2	002871-40	Double Joint Swing Nozzle 12" Back Section
3	153X	Double Joint Swing Nozzle 6" Front Section
4	B-PT	Stream Regulator Outlet
5	001048-45	Nozzle Tip Washer
6	009538-45	Swivel Washer
7	011429-45	Swivel Sleeves (2)
8	001074-45	O-Ring
9	005959-40	Eterna Cartridge, LTC
10	001660-45	Blue Index-CW
11	012534-45	18" Flexible Supply Hose (2)
12	000965-45	Lock Nut
13	002290-45	Lock Washer
14	005960-40	Eterna Cartridge, RTC
15	010027-40	Solid Brass Chrome Plated Lever Handle
16	001661-45	Red Index-HW
17	000922-45	Lever Handle Screw



Product Specifications:
 Single Hole Deck Mount Mixing Faucet, Eterna Cartridges, Brass Lever Handles, 18" Double Joint Swing Nozzle w/ Stream Regulator Outlet & 18" Flexible Stainless Steel Supply Hoses w/ 1/2" NPSM Male Inlets

Product Compliance:
 NSF 61 - Section 9
 NSF 372 (Low Lead Content)
 ANSI A117.1 (ADA)