



T&S BRASS AND BRONZE WORKS, INC.

2 Saddleback Cove / P.O. Box 1088
Travelers Rest, SC 29690

Model No.

B-0244

Item No.

Travelers Rest, SC: 800-476-4103 • Simi Valley, CA: 800-423-0150 • Fax: 864-834-3518 • www.tsbrass.com

This Space for Architect/Engineer Approval

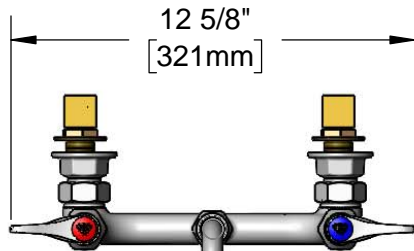
Job Name _____ Date _____

Model Specified _____ Quantity _____

Customer/Wholesaler _____

Contractor _____

Architect/Engineer _____



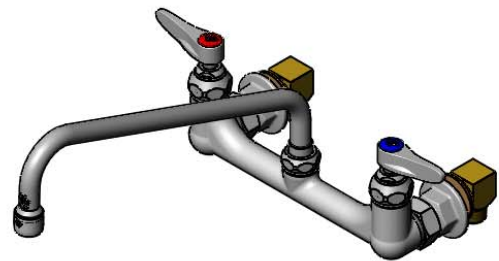
12 5/8"
[321mm]



ADA Compliant



062X-A22
12" Swing Nozzle w/
2.2 GPM Aerator



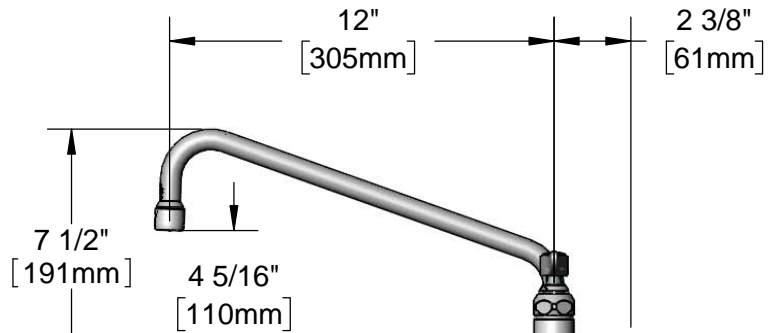
Quarter-Turn Eterna Cartridges
w/ Spring Check & Lever
Handles w/ Color Coded Indexes

Swivel Joint

3 11/16"
[94mm]

8"
[203mm]
Adjustable from
7 3/4" to 8 1/4"
[197mm to 210mm]

Ø 2" [51mm]
Flanges w/
1/2" NPT
Female Inlets



Mounting Surface

B-0230-K
1/2" NPT
Short Elbow
Installation Kit

Product Specifications:

8" Wall Mount Mixing Faucet, Quarter-Turn Eterna Cartridges w/ Spring Checks, Lever Handles, 12" Swing Nozzle w/ 2.2 GPM Aerator, 1/2" NPT Male Inlets & Short Elbow Installation Kit

Product Compliance:

ASME A112.18.1 / CSA B125.1
NSF 61 - Section 9
NSF 372 (Low Lead Content)
ANSI A117.1 (ADA)



T&S BRASS AND BRONZE WORKS, INC.

2 Saddleback Cove / P.O. Box 1088
Travelers Rest, SC 29690

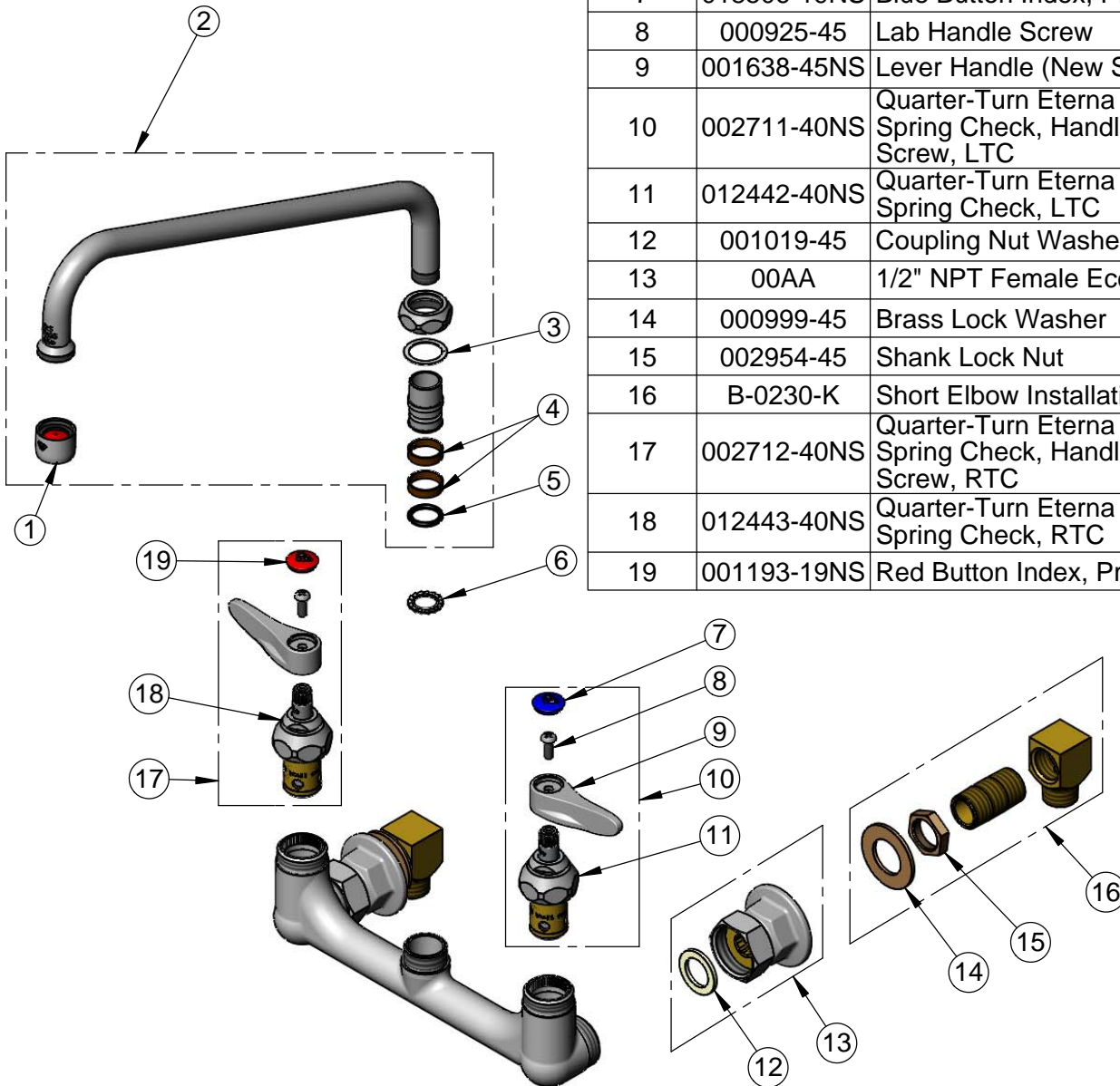
Model No.

B-0244

Item No.

Travelers Rest, SC: 800-476-4103 • Simi Valley, CA: 800-423-0150 • Fax: 864-834-3518 • www.tsbrass.com

ITEM NO.	SALES NO.	DESCRIPTION
1	B-0199-01	2.2 GPM Aerator, 55/64"-27 UN Female
2	062X-A22	12" Swing Nozzle w/ 2.2 GPM Aerator
3	009538-45	Swivel Washer
4	011429-45	Swivel Sleeves (2)
5	001074-45	O-Ring
6	014200-45	Star Washer, Anti-Rotation
7	018506-19NS	Blue Button Index, Press-in
8	000925-45	Lab Handle Screw
9	001638-45NS	Lever Handle (New Style)
10	002711-40NS	Quarter-Turn Eterna Cartridge w/ Spring Check, Handle, Blue Index & Screw, LTC
11	012442-40NS	Quarter-Turn Eterna Cartridge w/ Spring Check, LTC
12	001019-45	Coupling Nut Washer
13	00AA	1/2" NPT Female Eccentric Flange
14	000999-45	Brass Lock Washer
15	002954-45	Shank Lock Nut
16	B-0230-K	Short Elbow Installation Kit
17	002712-40NS	Quarter-Turn Eterna Cartridge w/ Spring Check, Handle, Red Index & Screw, RTC
18	012443-40NS	Quarter-Turn Eterna Cartridge w/ Spring Check, RTC
19	001193-19NS	Red Button Index, Press-in



Product Specifications:

8" Wall Mount Mixing Faucet, Quarter-Turn Eterna Cartridges w/ Spring Checks, Lever Handles, 12" Swing Nozzle w/ 2.2 GPM Aerator, 1/2" NPT Male Inlets & Short Elbow Installation Kit

Product Compliance:

ASME A112.18.1 / CSA B125.1
NSF 61 - Section 9
NSF 372 (Low Lead Content)
ANSI A117.1 (ADA)