



# T&S BRASS AND BRONZE WORKS, INC.

2 Saddleback Cove / P.O. Box 1088  
Travelers Rest, SC 29690

Model No.

**B-0243**

Item No.

Travelers Rest, SC: 800-476-4103 • Simi Valley, CA: 800-423-0150 • Fax: 864-834-3518 • www.tsbrass.com



**ADA Compliant**

This Space for Architect/Engineer Approval

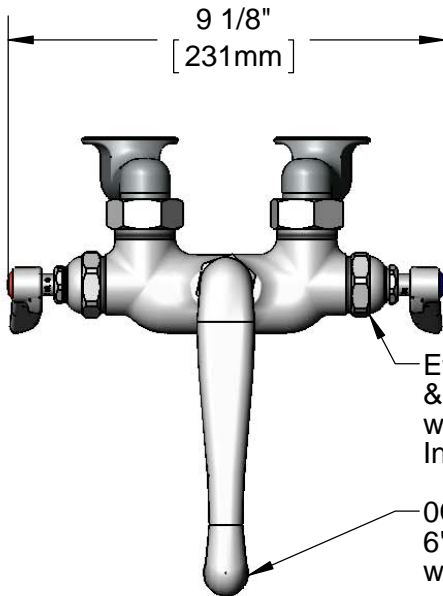
Job Name \_\_\_\_\_ Date \_\_\_\_\_

Model Specified \_\_\_\_\_ Quantity \_\_\_\_\_

Customer/Wholesaler \_\_\_\_\_

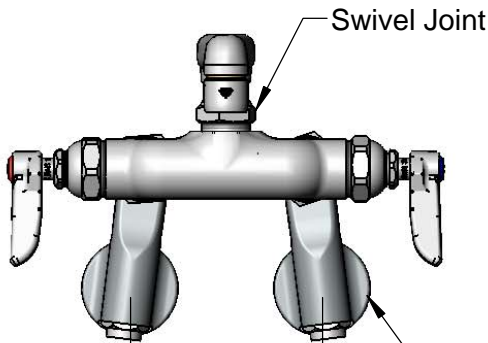
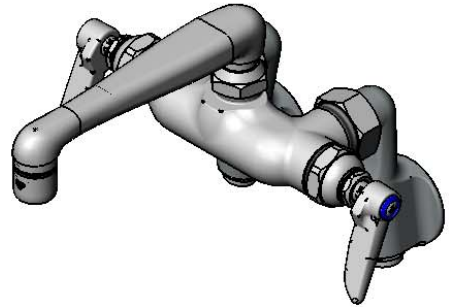
Contractor \_\_\_\_\_

Architect/Engineer \_\_\_\_\_



Eterna Cartridges  
& Lever Handles  
w/ Color Coded  
Indexes

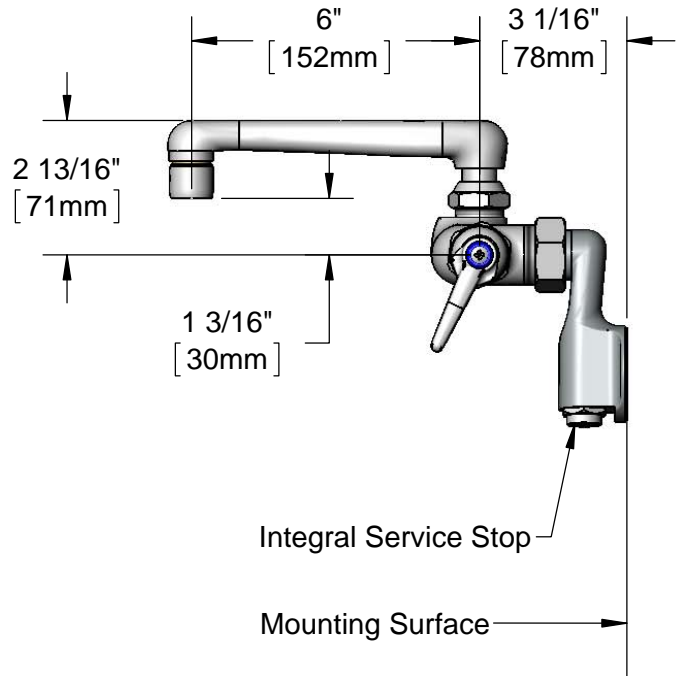
OCS6  
6" Swivel Cast Spout  
w/ 2.2 GPM Aerator



Swivel Joint

4" [102mm]  
Adjustable From  
2 1/4" to 8 1/4"  
[57mm to 210mm]  
Above or Below c/c

Ø 2" [51mm]  
Adjustable Wall  
Flanges w/  
1/2" NPT  
Female Inlets



**Product Specifications:**

Wall Mount Mixing Faucet, Eterna Cartridges, Lever Handles,  
6" Swivel Cast Spout w/ 2.2 GPM Aerator & 1/2" NPT Female Inlet  
Adjustable Wall Flanges w/ Integral Service Stops

**Product Compliance:**

ASME A112.18.1 / CSA B125.1  
NSF 61 - Section 9  
NSF 372 (Low Lead Content)  
ANSI A117.1 (ADA)



# T&S BRASS AND BRONZE WORKS, INC.

2 Saddleback Cove / P.O. Box 1088  
Travelers Rest, SC 29690

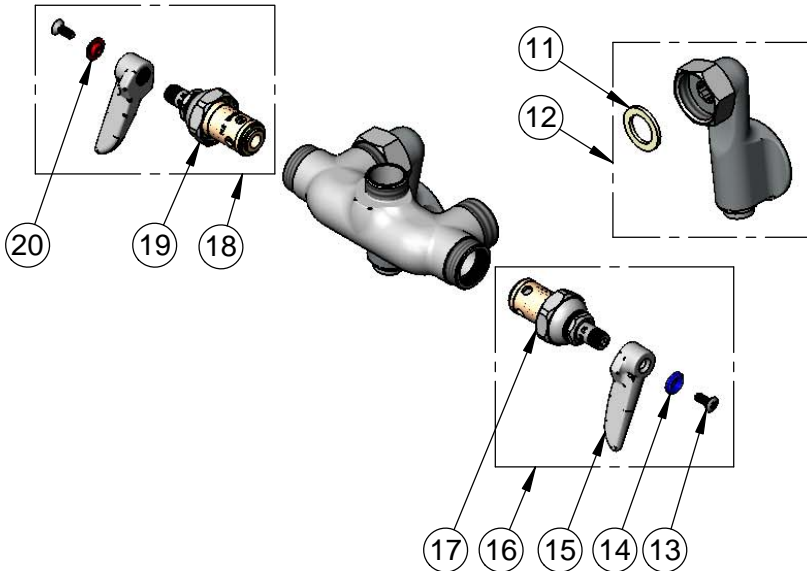
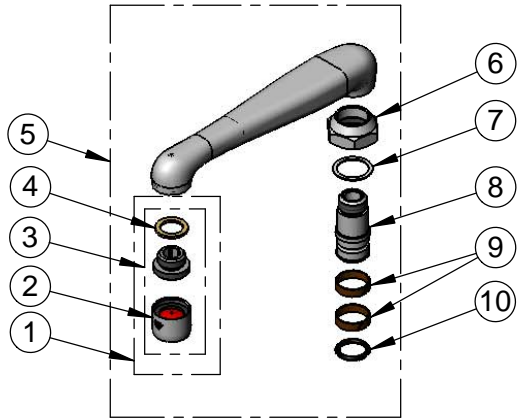
Model No.

**B-0243**

Item No.

Travelers Rest, SC: 800-476-4103 • Simi Valley, CA: 800-423-0150 • Fax: 864-834-3518 • www.tsbrass.com

ITEM NO.	SALES NO.	DESCRIPTION
1	B-0199-02	2.2 GPM Aerator, 3/8" NPSM Male
2	B-0199-01	2.2 GPM Aerator, 55/64"-27 UN Female
3	044A	3/8" to Aerator Adapter
4	001043-45	Washer
5	0CS6	6" Swivel Cast Spout w/ 2.2 GPM Aerator
6	000711-40	Swivel Nut
7	009E	Plastic Washer
8	000843-25	Swivel Body
9	011429-45	Swivel Sleeves (2)
10	001074-45	O-Ring
11	001019-45	Coupling Nut Washer
12	00XX	1/2" NPT Female Inlet Adjustable Wall Flange w/ Screwdriver Stop
13	000922-45	Lever Handle Screw
14	001660-45	Blue Index-CW
15	001638-45	Lever Handle
16	002713-40	Eterna Cartridge LTC w/ Handle, Index & Screw
17	005959-40	Eterna Cartridge, LTC
18	002714-40	Eterna Cartridge RTC w/ Handle, Index & Screw
19	005960-40	Eterna Cartridge, RTC
20	001661-45	Red Index-HW



**Product Specifications:**

Wall Mount Mixing Faucet, Eterna Cartridges, Lever Handles, 6" Swivel Cast Spout w/ 2.2 GPM Aerator & 1/2" NPT Female Inlet Adjustable Wall Flanges w/ Integral Service Stops

**Product Compliance:**

ASME A112.18.1 / CSA B125.1  
NSF 61 - Section 9  
NSF 372 (Low Lead Content)  
ANSI A117.1 (ADA)