

**T&S BRASS AND BRONZE WORKS, INC.**  
 2 Saddleback Cove / P.O. Box 1088  
 Travelers Rest, SC 29690

Model No.  
**B-0238**

Item No.

Travelers Rest, SC: 800-476-4103 • Simi Valley, CA: 800-423-0150 • Fax: 864-834-3518 • www.tsbrass.com



**ADA Compliant**

This Space for Architect/Engineer Approval

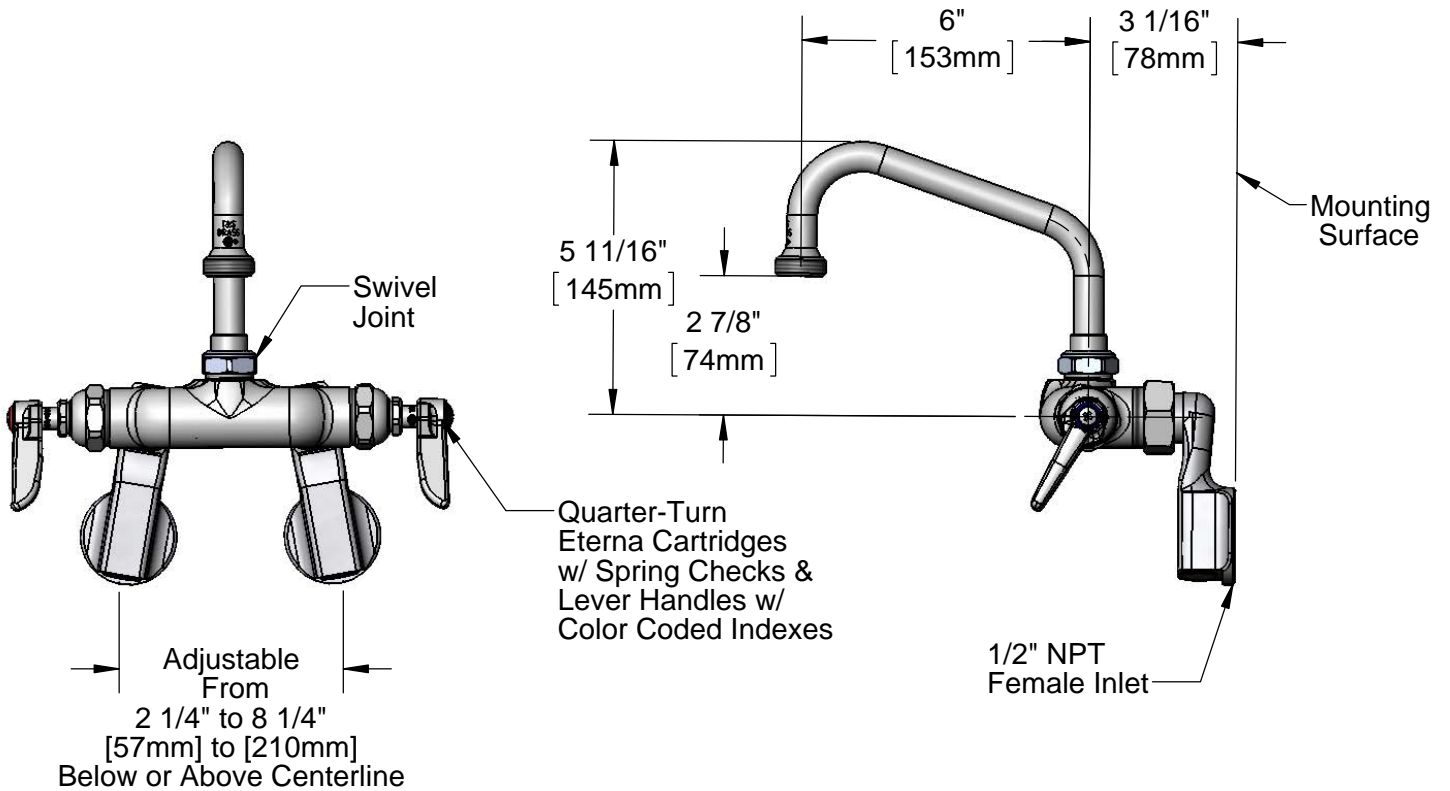
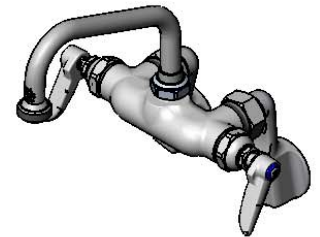
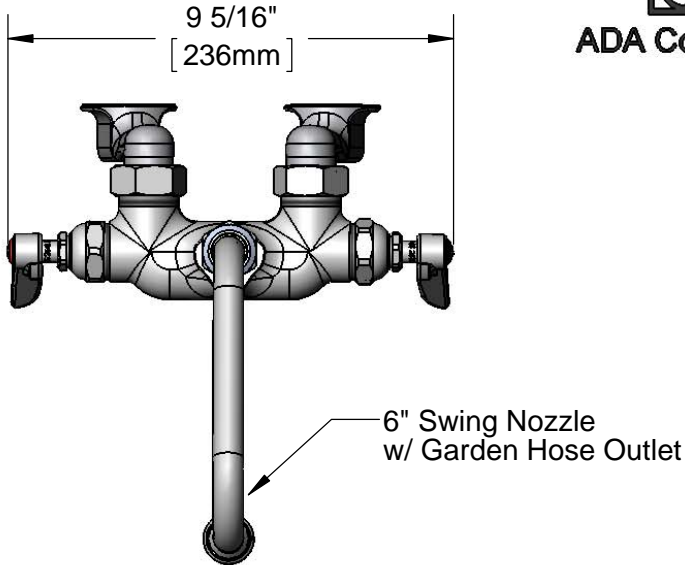
Job Name \_\_\_\_\_ Date \_\_\_\_\_

Model Specified \_\_\_\_\_ Quantity \_\_\_\_\_

Customer/Wholesaler \_\_\_\_\_

Contractor \_\_\_\_\_

Architect/Engineer \_\_\_\_\_



Product Specifications:  
 Wall Mount Polished Chrome Mixing Faucet, 6" Swing Nozzle, Adjustable Inlet Arms, Lever Handles & Garden Hose Outlet

Product Compliance:  
 ASME A112.18.1 / CSA B125.1  
 NSF 61 - Section 9  
 NSF 372 (Low Lead Content)  
 ANSI A117.1 (ADA)



# T&S BRASS AND BRONZE WORKS, INC.

2 Saddleback Cove / P.O. Box 1088  
Travelers Rest, SC 29690

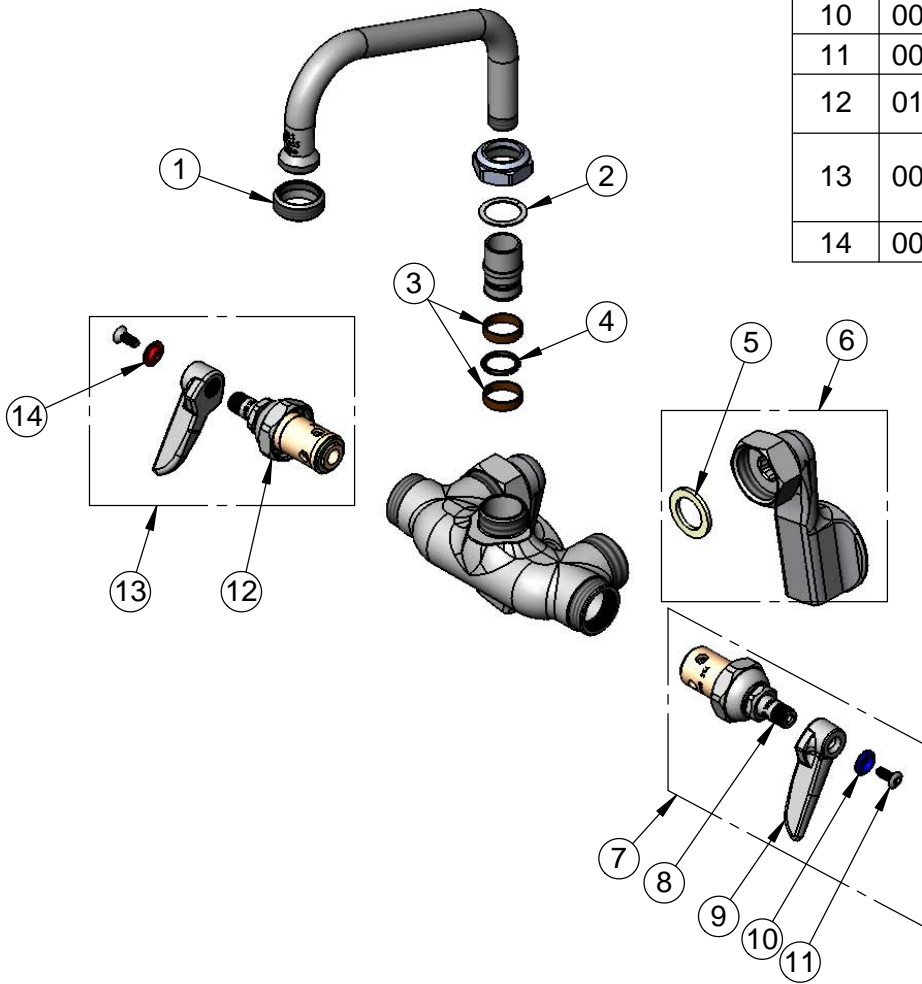
Model No.

**B-0238**

Item No.

Travelers Rest, SC: 800-476-4103 • Simi Valley, CA: 800-423-0150 • Fax: 864-834-3518 • www.tsbrass.com

| ITEM NO. | SALES NO. | DESCRIPTION   |
|----------|-----------|---|
| 1        | B-GFE     | Adapter, Garden Hose Male x Aerator Thread                                |
| 2        | 009538-45 | Swivel Washer   |
| 3        | 011429-45 | Swivel Sleeves (2)  |
| 4        | 001074-45 | O-Ring  |
| 5        | 001019-45 | Coupling Nut Washer   |
| 6        | 00GG      | 1/2" NPT Female Adjustable Flange   |
| 7        | 002711-40 | Quarter-Turn Eterna Cartridge, LTC w/ Spring Check, Handle, Index & Screw |
| 8        | 012442-40 | Eterna Cartridge, LTC w/ Spring Check                                     |
| 9        | 001638-45 | Lever Handle  |
| 10       | 001660-45 | Blue Index-CW   |
| 11       | 000922-45 | Lever Handle Screw  |
| 12       | 012443-40 | Eterna Cartridge, RTC w/ Spring Check                                     |
| 13       | 002712-40 | Quarter-Turn Eterna Cartridge, RTC w/ Spring Check, Handle, Index & Screw |
| 14       | 001661-45 | Red Index-HW  |



**Product Specifications:**

Wall Mount Polished Chrome Mixing Faucet, 6" Swing Nozzle, Adjustable Inlet Arms, Lever Handles & Garden Hose Outlet

**Product Compliance:**

ASME A112.18.1 / CSA B125.1  
NSF 61 - Section 9  
NSF 372 (Low Lead Content)  
ANSI A117.1 (ADA)