



T&S BRASS AND BRONZE WORKS, INC.
 2 Saddleback Cove / P.O. Box 1088
 Travelers Rest, SC 29690

Model No.
B-0236-CR

Item No.

Travelers Rest, SC: 800-476-4103 • Simi Valley, CA: 800-423-0150 • Fax: 864-834-3518 • www.tsbrass.com



ADA Compliant

This Space for Architect/Engineer Approval

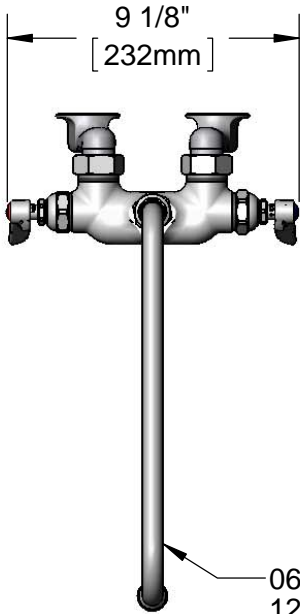
Job Name _____ Date _____

Model Specified _____ Quantity _____

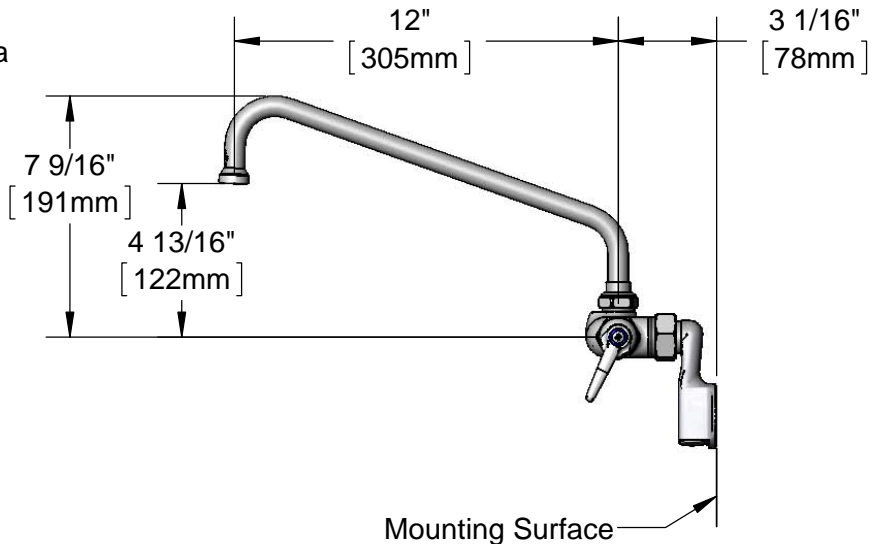
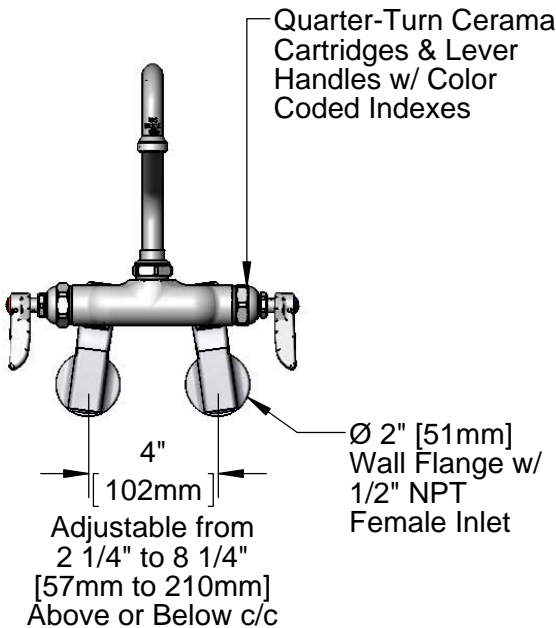
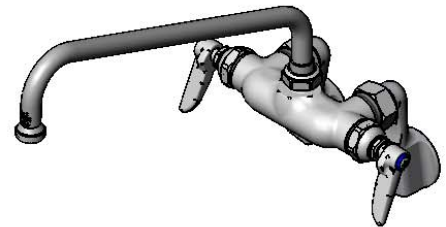
Customer/Wholesaler _____

Contractor _____

Architect/Engineer _____



062X
 12" Swing Nozzle w/
 Stream Regulator Outlet



Product Specifications:

Wall Mount Mixing Faucet, Quarter-Turn Cerama Cartridges, Lever Handles, 12" Swing Nozzle w/ Stream Regulator Outlet, and 1/2" NPT Female Inlet Adjustable Wall Flanges

Product Compliance:

ASME A112.18.1 / CSA B125.1
 NSF 61 - Section 9
 NSF 372 (Low Lead Content)
 ANSI A117.1 (ADA)



T&S BRASS AND BRONZE WORKS, INC.

2 Saddleback Cove / P.O. Box 1088
Travelers Rest, SC 29690

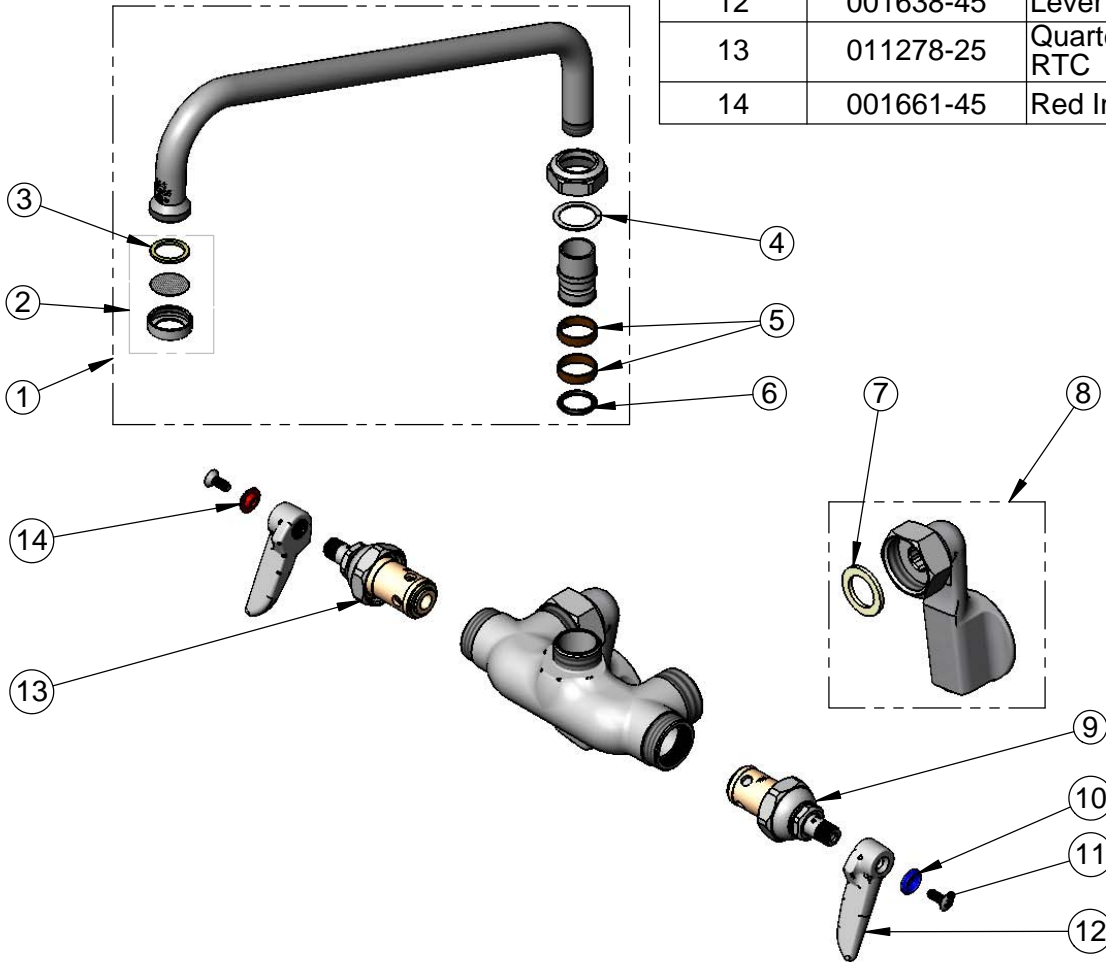
Model No.

B-0236-CR

Item No.

Travelers Rest, SC: 800-476-4103 • Simi Valley, CA: 800-423-0150 • Fax: 864-834-3518 • www.tsbrass.com

ITEM NO.	SALES NO.	DESCRIPTION
1	062X	12" Swivel Nozzle
2	B-PT	Stream Regulator Outlet
3	001048-45	Nozzle Tip Washer
4	009538-45	Swivel Washer
5	011429-45	Swivel Sleeves (2)
6	001074-45	O-Ring
7	001019-45	Coupling Nut Washer
8	00GG	1/2" NPT Female Adjustable Flange
9	011279-25	Quarter-Turn Cerama Cartridge, LTC
10	001660-45	Blue Index-CW
11	000922-45	Lever Handle Screw
12	001638-45	Lever Handle
13	011278-25	Quarter-Turn Cerama Cartridge, RTC
14	001661-45	Red Index-HW



Product Specifications:

Wall Mount Mixing Faucet, Quarter-Turn Cerama Cartridges, Lever Handles, 12" Swing Nozzle w/ Stream Regulator Outlet, and 1/2" NPT Female Inlet Adjustable Wall Flanges

Product Compliance:

ASME A112.18.1 / CSA B125.1
NSF 61 - Section 9
NSF 372 (Low Lead Content)
ANSI A117.1 (ADA)