



**T&S BRASS AND BRONZE WORKS, INC.**

2 Saddleback Cove / P.O. Box 1088  
Travelers Rest, SC 29690

Model No.

**B-0235-61X-CREK**

Item No.

Travelers Rest, SC: 800-476-4103 • Simi Valley, CA: 800-423-0150 • Fax: 864-834-3518 • www.tsbrass.com



**ADA Compliant**

This Space for Architect/Engineer Approval

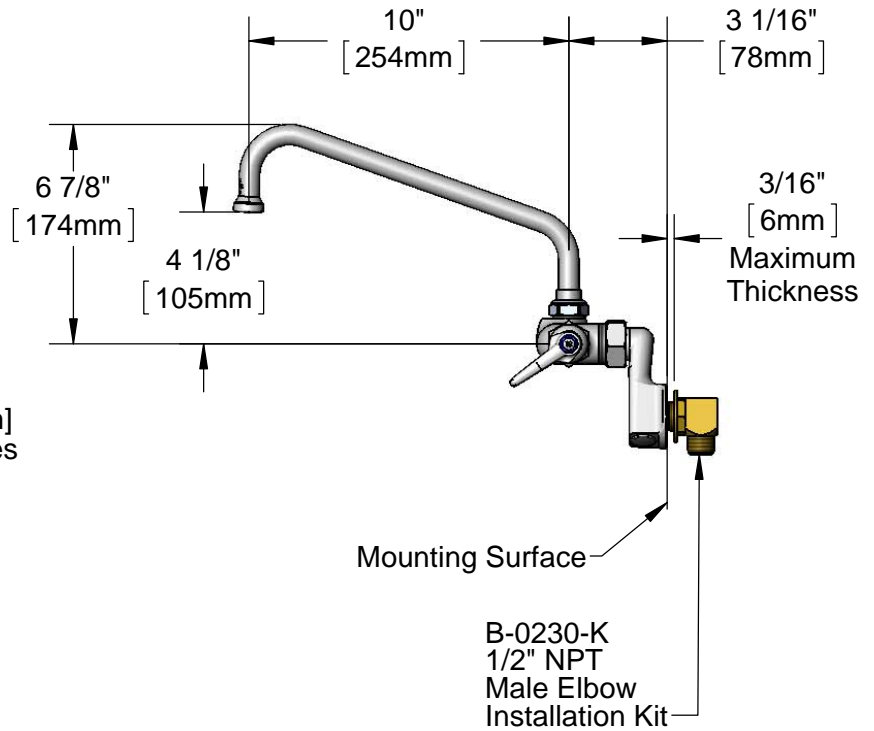
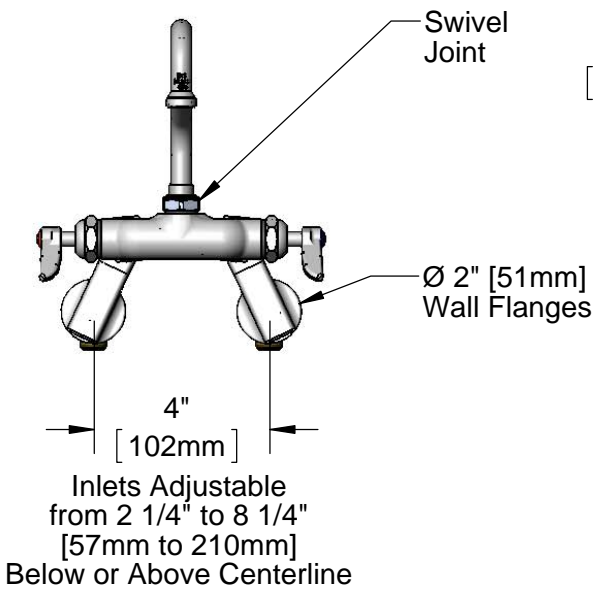
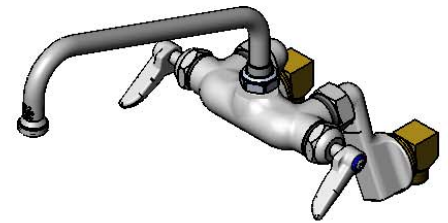
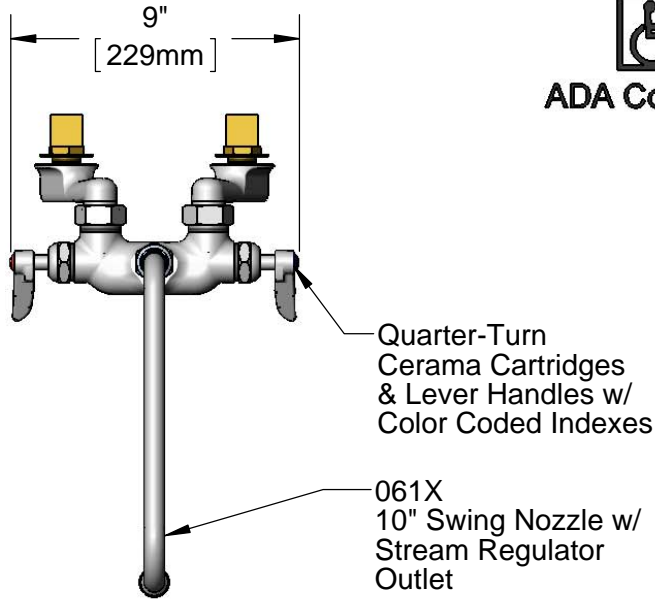
Job Name \_\_\_\_\_ Date \_\_\_\_\_

Model Specified \_\_\_\_\_ Quantity \_\_\_\_\_

Customer/Wholesaler \_\_\_\_\_

Contractor \_\_\_\_\_

Architect/Engineer \_\_\_\_\_



**Rough-In Requirement:**

(2) Ø 1" [25mm] Mounting Holes

**Product Specifications:**

Wall Mount Mixing Faucet, Quarter-Turn Cerama Cartridges, Lever Handles, 10" Swing Nozzle, Adjustable Flanges & 1/2" NPT Male Elbow Installation Kit

**Product Compliance:**

ASME A112.18.1 / CSA B125.1  
NSF 61 - Section 9  
NSF 372 (Low Lead Content)  
ANSI A117.1 (ADA)



# T&S BRASS AND BRONZE WORKS, INC.

2 Saddleback Cove / P.O. Box 1088  
Travelers Rest, SC 29690

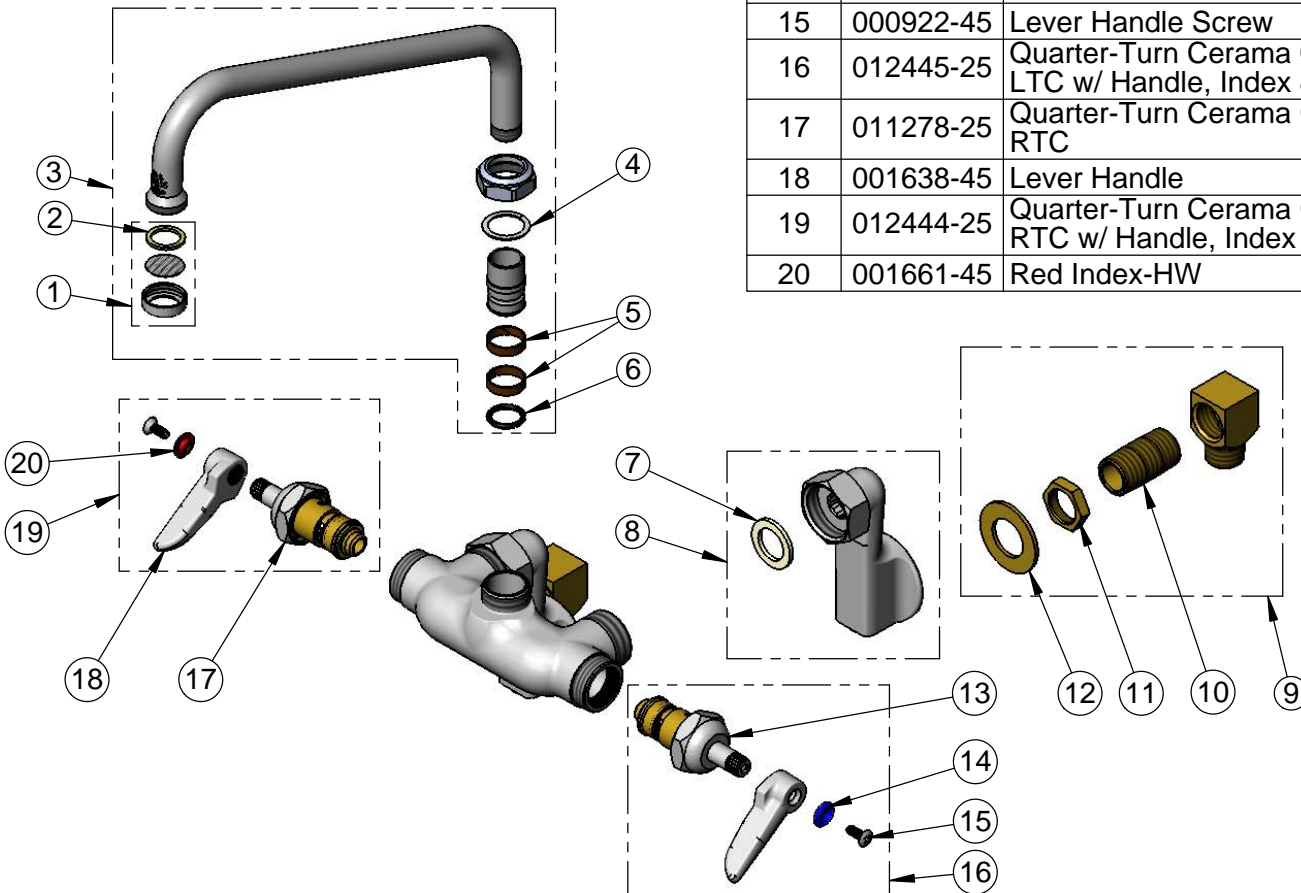
Model No.

**B-0235-61X-CREK**

Item No.

Travelers Rest, SC: 800-476-4103 • Simi Valley, CA: 800-423-0150 • Fax: 864-834-3518 • www.tsbrass.com

ITEM NO.	SALES NO.	DESCRIPTION
1	B-PT	Stream Regulator Outlet
2	001048-45	Nozzle Tip Washer
3	061X	10" Swing Nozzle
4	009538-45	Swivel Washer
5	011429-45	Swivel Sleeves (2)
6	001074-45	O-Ring
7	001019-45	Coupling Nut Washer
8	00GG	1/2" NPT Female Adjustable Flange
9	B-0230-K	Short Elbow Installation Kit
10	013357-20	1/2" NPT x 1-5/8" Lg. Close Nipple
11	002954-45	Shank Lock Nut
12	000999-45	Brass Lock Washer
13	011279-25	Quarter-Turn Cerama Cartridge, LTC
14	001660-45	Blue Index-CW
15	000922-45	Lever Handle Screw
16	012445-25	Quarter-Turn Cerama Cartridge, LTC w/ Handle, Index & Screw
17	011278-25	Quarter-Turn Cerama Cartridge, RTC
18	001638-45	Lever Handle
19	012444-25	Quarter-Turn Cerama Cartridge, RTC w/ Handle, Index & Screw
20	001661-45	Red Index-HW



**Product Specifications:**

Wall Mount Mixing Faucet, Quarter-Turn Cerama Cartridges, Lever Handles, 10" Swing Nozzle, Adjustable Flanges & 1/2" NPT Male Elbow Installation Kit

**Product Compliance:**

ASME A112.18.1 / CSA B125.1  
NSF 61 - Section 9  
NSF 372 (Low Lead Content)  
ANSI A117.1 (ADA)