



T&S BRASS AND BRONZE WORKS, INC.

2 Saddleback Cove / P.O. Box 1088
Travelers Rest, SC 29690

Model No.

B-0235-01

Item No.

Travelers Rest, SC: 800-476-4103 • Simi Valley, CA: 800-423-0150 • Fax: 864-834-3518 • www.tsbrass.com



ADA Compliant

This Space for Architect/Engineer Approval

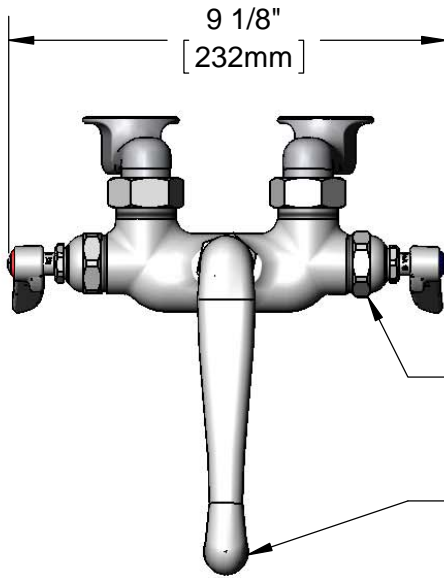
Job Name _____ Date _____

Model Specified _____ Quantity _____

Customer/Wholesaler _____

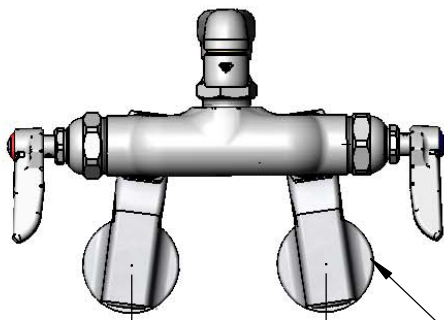
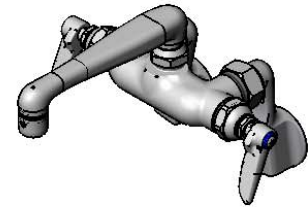
Contractor _____

Architect/Engineer _____



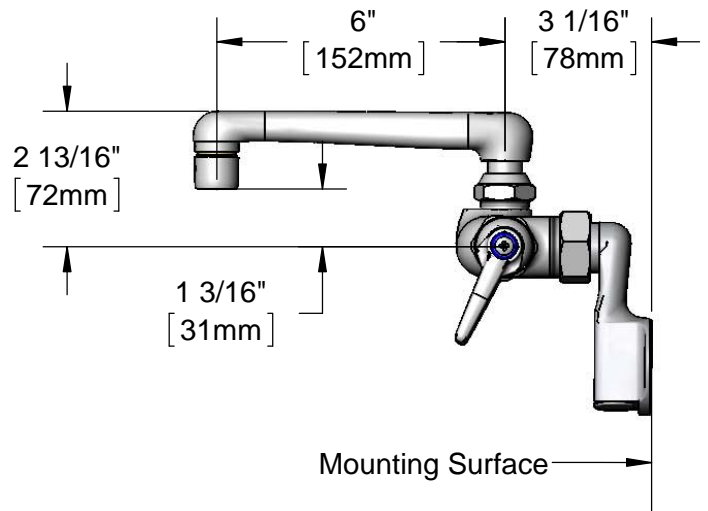
Eterna Cartridges & Lever Handles w/ Color Coded Indexes

OCS6
6" Cast Spout w/
2.2 GPM Aerator



Ø 2" [51mm]
Wall Flange w/
1/2" NPT
Female Inlet

Adjustable from
2 1/4" to 8 1/4"
[57mm to 210mm]
Above or Below c/c



Rough-In Requirement:
(2) Ø 1" [25mm] Mounting Holes

Product Specifications:

Wall Mount Mixing Faucet, Eterna Cartridges, 6" Cast Spout w/ 2.2 GPM Aerator, Lever Handles & Adjustable Inlets

Product Compliance:

ASME A112.18.1 / CSA B125.1
NSF 61 - Section 9
NSF 372 (Low Lead Content)
ANSI A117.1 (ADA)



T&S BRASS AND BRONZE WORKS, INC.

2 Saddleback Cove / P.O. Box 1088
Travelers Rest, SC 29690

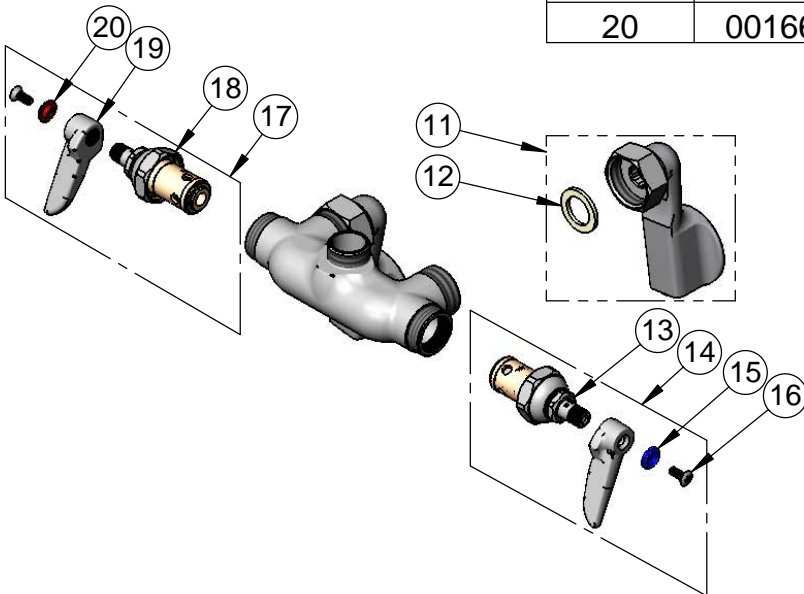
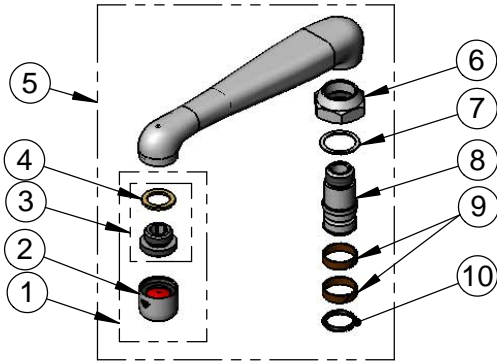
Model No.

B-0235-01

Item No.

Travelers Rest, SC: 800-476-4103 • Simi Valley, CA: 800-423-0150 • Fax: 864-834-3518 • www.tsbrass.com

ITEM NO.	SALES NO.	DESCRIPTION
1	B-0199-02	2.2 GPM Aerator w/ Adapter & Washer
2	B-0199-01	2.2 GPM Aerator, 55/64"-27 UN Female
3	044A	Adapter w/ Washer
4	001043-45	Washer
5	0CS6	6" Swivel Cast Spout w/ 2.2 GPM Aerator
6	000711-40	Swivel Nut
7	009E	Plastic Washer
8	000843-25	Swivel Body
9	011429-45	Swivel Sleeves (2)
10	001074-45	O-Ring
11	00GG	1/2" NPT Female Adjustable Flange
12	001019-45	Coupling Nut Washer
13	005959-40	Spindle Asm. Eterna "Cold"
14	002713-40	Eterna Cartridge, LTC w/ Handle, Index & Screw
15	001660-45	Blue Index-CW
16	000922-45	Lever Handle Screw
17	002714-40	Eterna Cartridge, RTC w/ Handle, Index & Screw
18	005960-40	Eterna Cartridge, RTC
19	001638-45	Lever Handle
20	001661-45	Red Index-HW



Product Specifications:

Wall Mount Mixing Faucet, Eterna Cartridges, 6" Cast Spout w/ 2.2 GPM Aerator, Lever Handles & Adjustable Inlets

Product Compliance:

ASME A112.18.1 / CSA B125.1
NSF 61 - Section 9
NSF 372 (Low Lead Content)
ANSI A117.1 (ADA)