



# T&S BRASS AND BRONZE WORKS, INC.

2 Saddleback Cove / P.O. Box 1088  
Travelers Rest, SC 29690

Model No.

**B-0234-BST**

Item No.

Travelers Rest, SC: 800-476-4103 • Simi Valley, CA: 800-423-0150 • Fax: 864-834-3518 • www.tsbrass.com



**ADA Compliant**

This Space for Architect/Engineer Approval

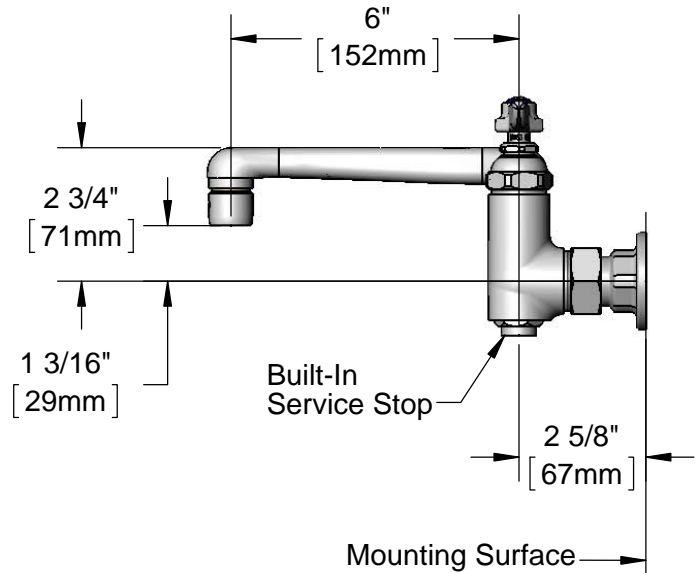
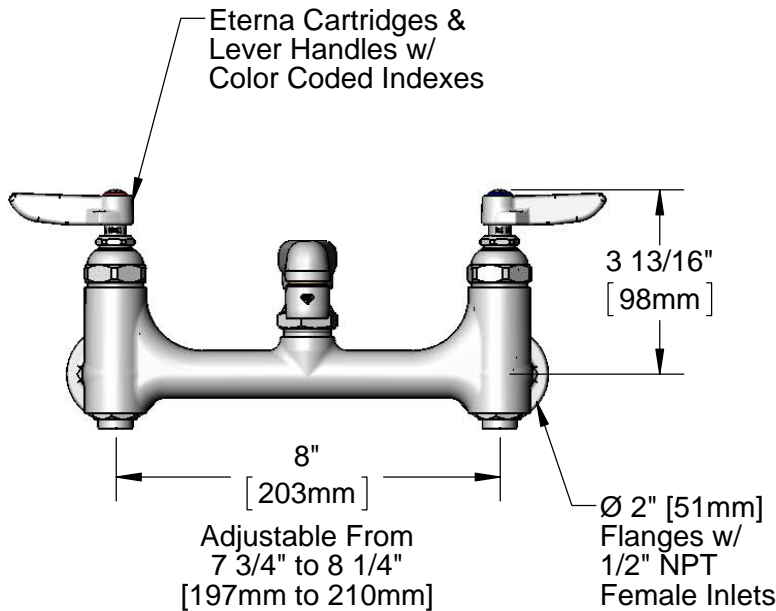
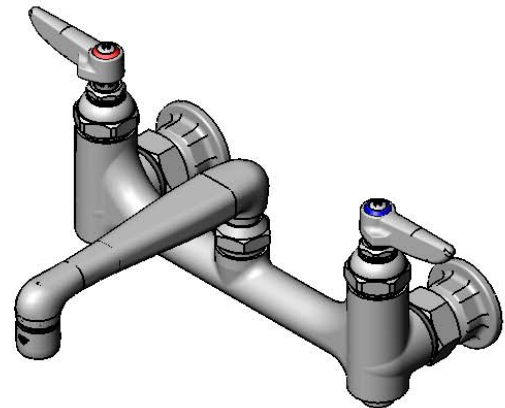
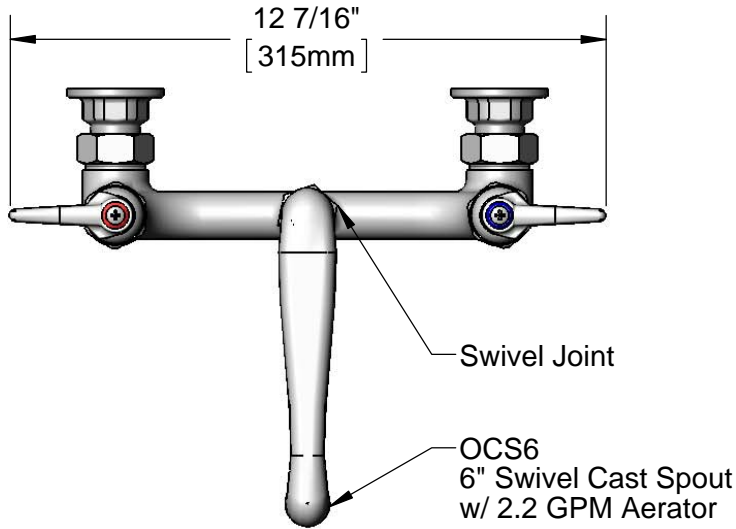
Job Name \_\_\_\_\_ Date \_\_\_\_\_

Model Specified \_\_\_\_\_ Quantity \_\_\_\_\_

Customer/Wholesaler \_\_\_\_\_

Contractor \_\_\_\_\_

Architect/Engineer \_\_\_\_\_



**Product Specifications:**  
8" Wall Mount Mixing Faucet, Eterna Cartridges, Lever Handles, 6" Swivel Cast Spout w/ 2.2 GPM Aerator, Built-In Stops & 1/2" NPT Female Inlets

**Product Compliance:**  
ASME A112.18.1 / CSA B125.1  
NSF 61 - Section 9  
NSF 372 (Low Lead Content)  
ANSI A117.1 (ADA)

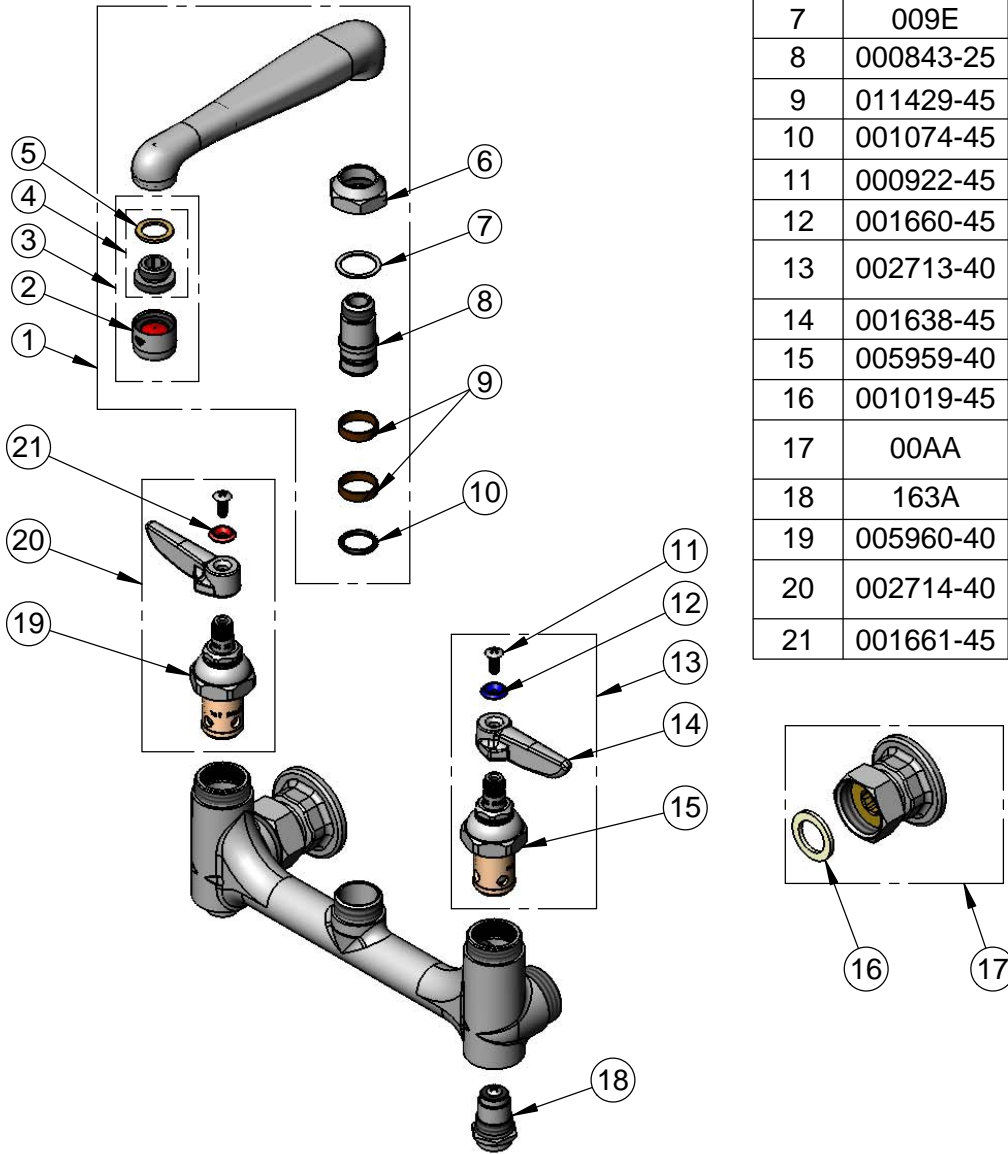


**T&S BRASS AND BRONZE WORKS, INC.**  
 2 Saddleback Cove / P.O. Box 1088  
 Travelers Rest, SC 29690

Model No.  
**B-0234-BST**  
 Item No.

Travelers Rest, SC: 800-476-4103 • Simi Valley, CA: 800-423-0150 • Fax: 864-834-3518 • www.tsbrass.com

ITEM NO.	SALES NO.	DESCRIPTION
1	OCS6	6" Swivel Cast Spout w/ 2.2 GPM Aerator
2	B-0199-01	2.2 GPM Aerator, 55/64-27 UN Female
3	B-0199-02	2.2 GPM Aerator, 3/8" NPSM Male
4	044A	3/8" to Aerator Adapter
5	001043-45	Washer
6	000711-40	Swivel Nut
7	009E	Plastic Washer
8	000843-25	Swivel Body
9	011429-45	Swivel Sleeves (2)
10	001074-45	O-Ring
11	000922-45	Lever Handle Screw
12	001660-45	Blue Index-CW
13	002713-40	Eterna Cartridge, LTC w/ Handle, Index & Screw
14	001638-45	Lever Handle
15	005959-40	Eterna Cartridge, LTC
16	001019-45	Coupling Nut Washer
17	00AA	1/2" NPT Female Eccentric Flange
18	163A	Built-in Service Stop
19	005960-40	Eterna Cartridge, RTC
20	002714-40	Eterna Cartridge, RTC w/ Handle, Index & Screw
21	001661-45	Red Index-HW



**Product Specifications:**  
 8" Wall Mount Mixing Faucet, Eterna Cartridges, Lever Handles, 6" Swivel Cast Spout w/ 2.2 GPM Aerator, Built-In Stops & 1/2" NPT Female Inlets

**Product Compliance:**  
 ASME A112.18.1 / CSA B125.1  
 NSF 61 - Section 9  
 NSF 372 (Low Lead Content)  
 ANSI A117.1 (ADA)