



# T&S BRASS AND BRONZE WORKS, INC.

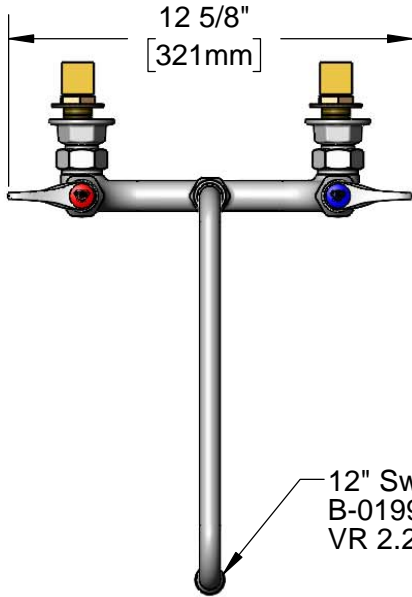
2 Saddleback Cove / P.O. Box 1088  
Travelers Rest, SC 29690

Model No.

**B-0233**

Item No.

Travelers Rest, SC: 800-476-4103 • Simi Valley, CA: 800-423-0150 • Fax: 864-834-3518 • www.tsbrass.com



This Space for Architect/Engineer Approval

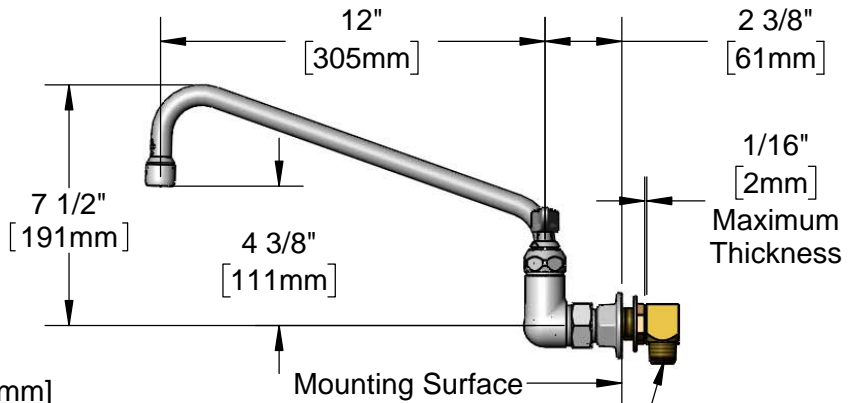
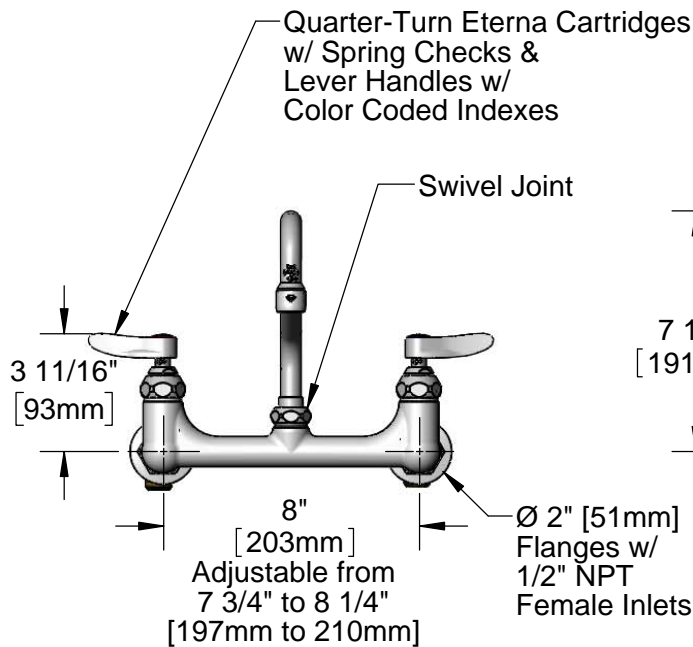
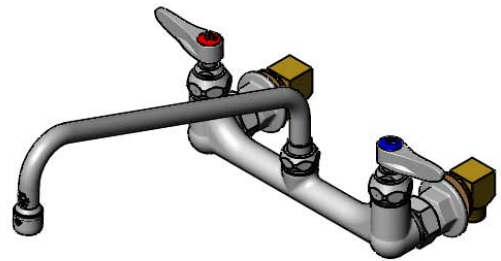
Job Name \_\_\_\_\_ Date \_\_\_\_\_

Model Specified \_\_\_\_\_ Quantity \_\_\_\_\_

Customer/Wholesaler \_\_\_\_\_

Contractor \_\_\_\_\_

Architect/Engineer \_\_\_\_\_



013121-45  
36" Flexible Supply Hose w/  
1/2" NPT Male x 1/2" NPSM Female

B-0418  
Supply Stops  
1/2" NPT Male Inlet

**Product Specifications:**  
8" Wall Mount Mixing Faucet, Quarter-Turn Eterna Cartridges w/ Spring Checks, Lever Handles, 12" Swing Nozzle w/ 2.2 VR Aerator, 1/2" NPT Male Inlets, Short Elbow Installation Kit, Supply Stops and 36" Flexible Stainless Steel Hoses

**Product Compliance:**  
ASME A112.18.1 / CSA B125.1  
NSF 61 - Section 9  
NSF 372 (Low Lead Content)  
ANSI A117.1 (ADA)



# T&S BRASS AND BRONZE WORKS, INC.

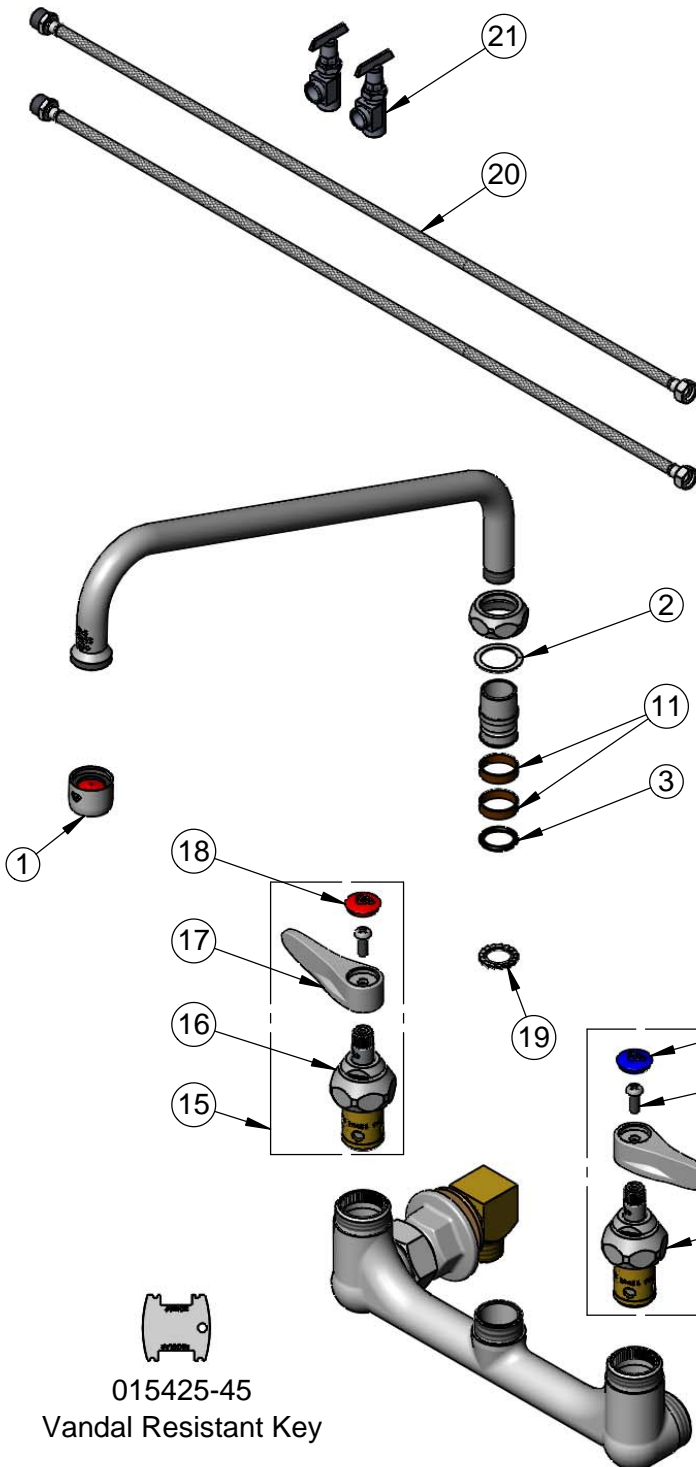
2 Saddleback Cove / P.O. Box 1088  
Travelers Rest, SC 29690

Model No.

**B-0233**

Item No.

Travelers Rest, SC: 800-476-4103 • Simi Valley, CA: 800-423-0150 • Fax: 864-834-3518 • www.tsbrass.com



ITEM NO.	SALES NO.	DESCRIPTION
1	B-0199-06	2.2 GPM Vandal Resistant Aerator, 55/64"-27 UN Female
2	009538-45	Swivel Washer
3	001074-45	O-Ring
4	018506-19NS	Blue Button Index, Press-in
5	000925-45	Lab Handle Screw
6	002711-40NS	Quarter-Turn Eterna Cartridge w/ Spring Check, Handle, Blue Index & Screw, LTC
7	012442-40NS	Quarter-Turn Eterna Cartridge w/ Spring Check, LTC
8	001019-45	Coupling Nut Washer
9	00AA	1/2" NPT Female Eccentric Flange
10	B-0230-K	Short Elbow Installation Kit
11	011429-45	Swivel Sleeves (2)
12	013357-20	1/2" NPT x 1-5/8" Lg. Close Nipple
13	000999-45	Brass Lock Washer
14	002954-45	Shank Lock Nut
15	002712-40NS	Quarter-Turn Eterna Cartridge w/ Spring Check, Handle, Red Index & Screw, RTC
16	012443-40NS	Quarter-Turn Eterna Cartridge w/ Spring Check, RTC
17	001638-45NS	Lever Handle (New Style)
18	001193-19NS	Red Button Index, Press-in
19	014200-45	Star Washer, Anti-Rotation
20	0131121-45	36" Flexible Stainless Steel Hose
21	B-0418	Supply Stop w/ 1/2" NPT Inlet

015425-45

Vandal Resistant Key

**Product Specifications:**

8" Wall Mount Mixing Faucet, Quarter-Turn Eterna Cartridges w/ Spring Checks, Lever Handles, 12" Swing Nozzle w/ 2.2 VR Aerator, 1/2" NPT Male Inlets, Short Elbow Installation Kit, Supply Stops and 36" Flexible Stainless Steel Hoses

**Product Compliance:**

ASME A112.18.1 / CSA B125.1  
NSF 61 - Section 9  
NSF 372 (Low Lead Content)  
ANSI A117.1 (ADA)