



T&S BRASS AND BRONZE WORKS, INC.

2 Saddleback Cove / P.O. Box 1088
Travelers Rest, SC 29690

Model No.

B-0231-CR4-L22

Item No.

Travelers Rest, SC: 800-476-4103 • Simi Valley, CA: 800-423-0150 • Fax: 864-834-3518 • www.tsbrass.com



ADA Compliant

This Space for Architect/Engineer Approval

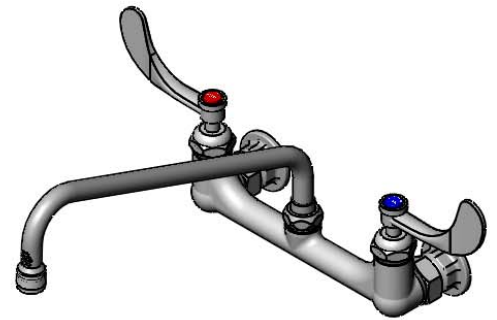
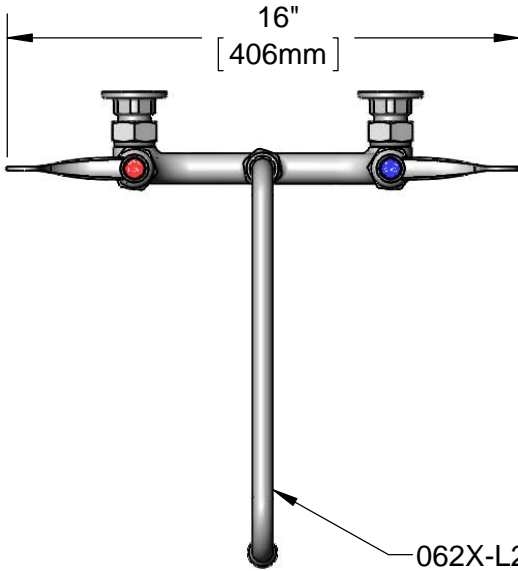
Job Name _____ Date _____

Model Specified _____ Quantity _____

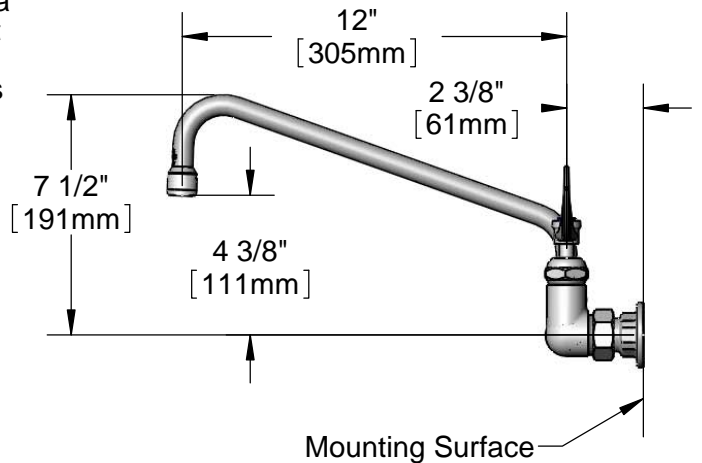
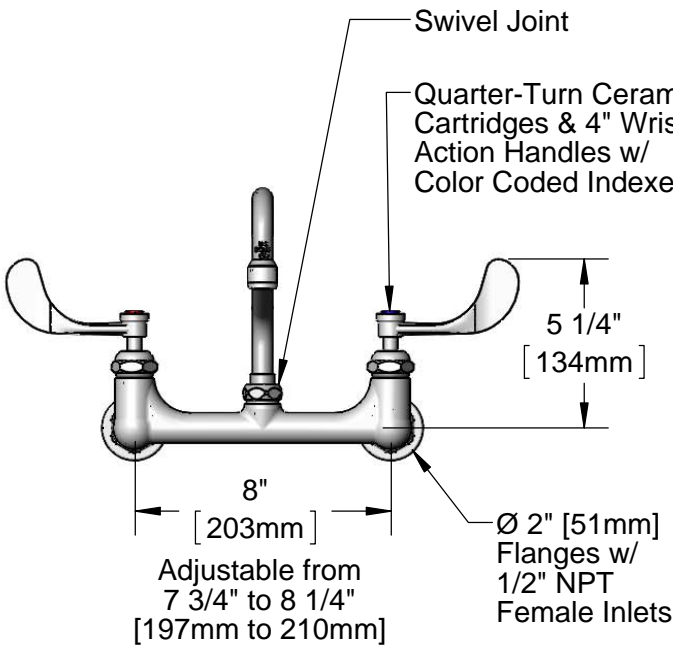
Customer/Wholesaler _____

Contractor _____

Architect/Engineer _____



062X-L22
12" Swing Nozzle w/
2.2 GPM Laminar Flow
Device



Product Specifications:

8" Wall Mount Mixing Faucet, Quarter-Turn Cerama Cartridges, 4" Wrist Action Handles, 12" Swing Nozzle w/ 2.2 GPM Laminar Flow Device & 1/2" NPT Female Inlets

Product Compliance:

ASME A112.18.1 / CSA B125.1
NSF 61 - Section 9
NSF 372 (Low Lead Content)
ANSI A117.1 (ADA)



T&S BRASS AND BRONZE WORKS, INC.

2 Saddleback Cove / P.O. Box 1088
Travelers Rest, SC 29690

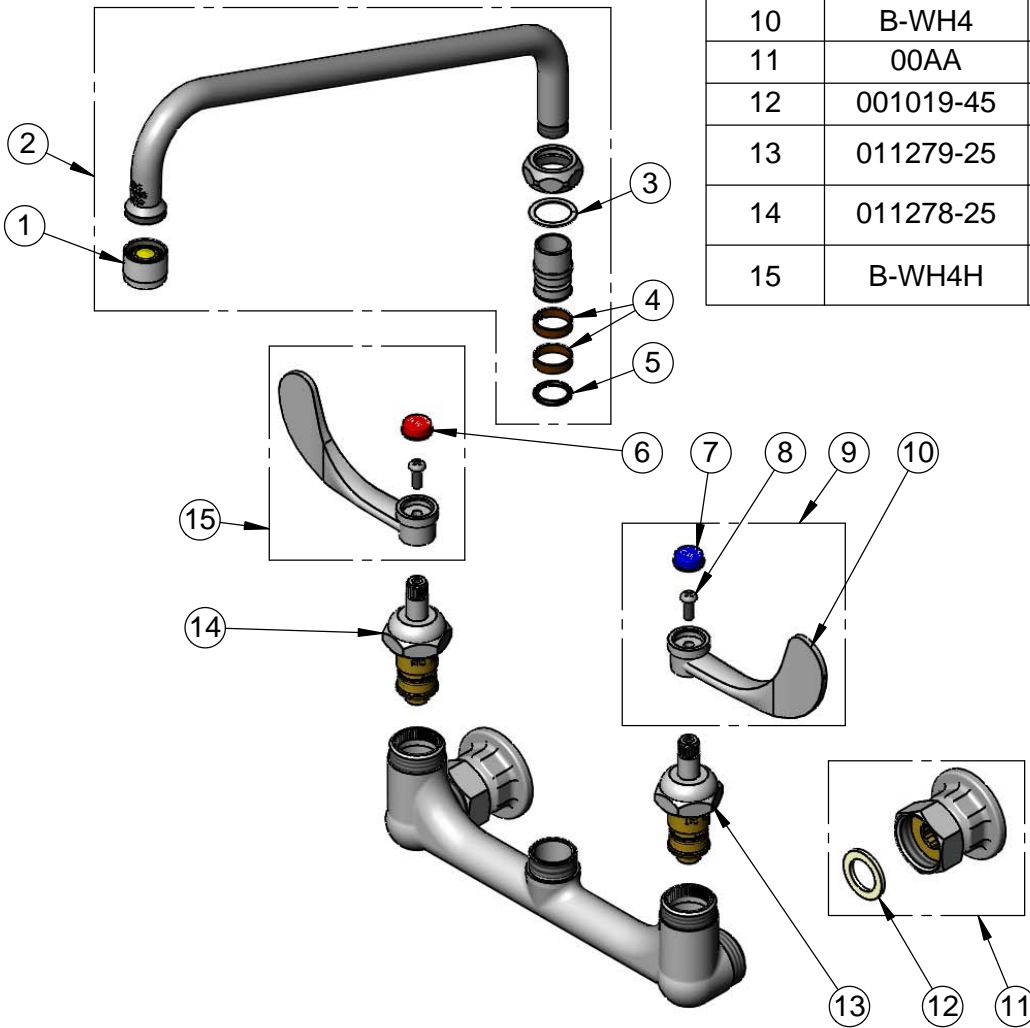
Model No.

B-0231-CR4-L22

Item No.

Travelers Rest, SC: 800-476-4103 • Simi Valley, CA: 800-423-0150 • Fax: 864-834-3518 • www.tsbrass.com

ITEM NO.	SALES NO.	DESCRIPTION
1	B-0199-21	2.2 GPM Laminar Flow Device, 55/64-27 UN Female
2	062X-L22	12" Swing Nozzle w/ 2.2 GPM Laminar Flow Device
3	009538-45	Swivel Washer
4	011429-45	Swivel Sleeves (2)
5	001074-45	O-Ring
6	001194-45	Red Index - HW
7	001686-45	Blue Index - CW
8	000925-45	Lab Handle Screw
9	B-WH4C	4" Wrist Action Handle, Screw & Cold Index
10	B-WH4	4" Wrist Action Handle
11	00AA	1/2" NPT Female Eccentric Flange
12	001019-45	Coupling Nut Washer
13	011279-25	Quarter-Turn Cerama Cartridge, LTC
14	011278-25	Quarter-Turn Cerama Cartridge, RTC
15	B-WH4H	4" Wrist Action Handle, Screw & Hot Index



Product Specifications:

8" Wall Mount Mixing Faucet, Quarter-Turn Cerama Cartridges, 4" Wrist Action Handles, 12" Swing Nozzle w/ 2.2 GPM Laminar Flow Device & 1/2" NPT Female Inlets

Product Compliance:

ASME A112.18.1 / CSA B125.1
NSF 61 - Section 9
NSF 372 (Low Lead Content)
ANSI A117.1 (ADA)