



T&S BRASS AND BRONZE WORKS, INC.

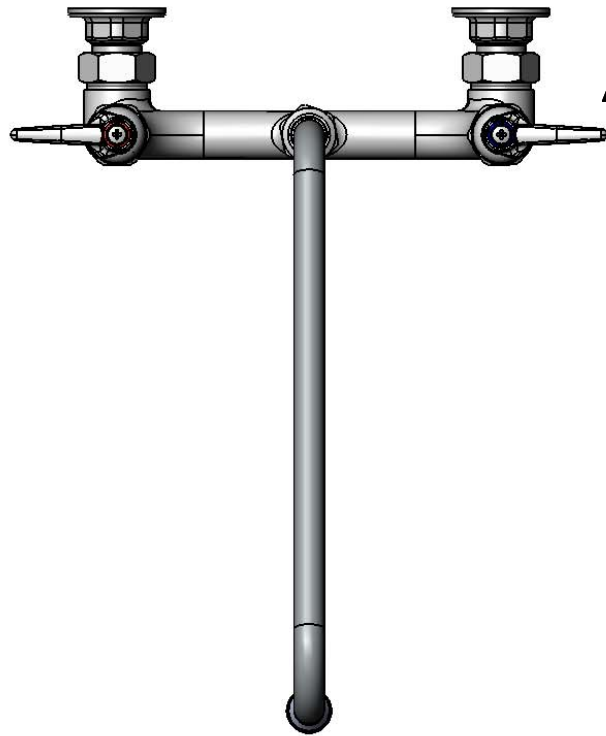
2 Saddleback Cove / P.O. Box 1088
Travelers Rest, SC 29690

Model No.

B-0231-BST

Item No.

Travelers Rest, SC: 800-476-4103 • Simi Valley, CA: 800-423-0150 • Fax: 864-834-3518 • www.tsbrass.com



ADA Compliant

This Space for Architect/Engineer Approval

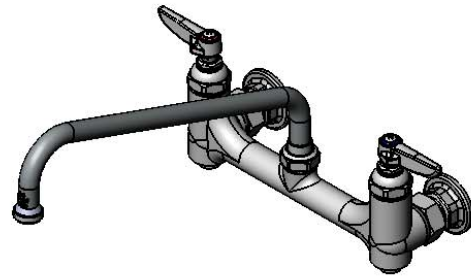
Job Name _____ Date _____

Model Specified _____ Quantity _____

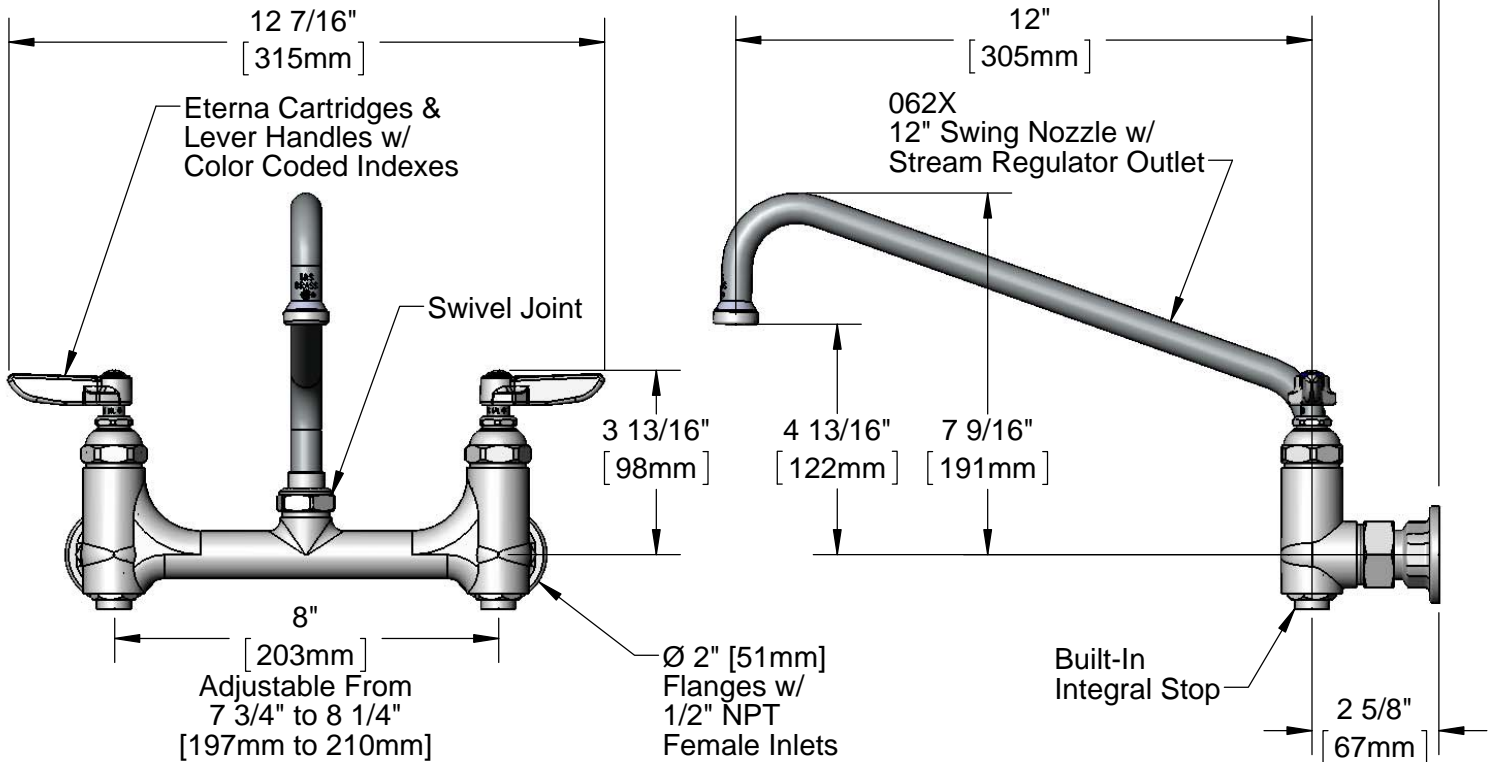
Customer/Wholesaler _____

Contractor _____

Architect/Engineer _____



Mounting Surface →



Product Specifications:

8" Wall Mount Mixing Faucet, Eterna Cartridges, Lever Handles, 12" Swing Nozzle, Built-In Stops & 1/2" NPT Female Inlets

Product Compliance:

ASME A112.18.1 / CSA B125.1
NSF 61 - Section 9
NSF 372 (Low Lead Content)
ANSI A117.1 (ADA)



T&S BRASS AND BRONZE WORKS, INC.

2 Saddleback Cove / P.O. Box 1088
Travelers Rest, SC 29690

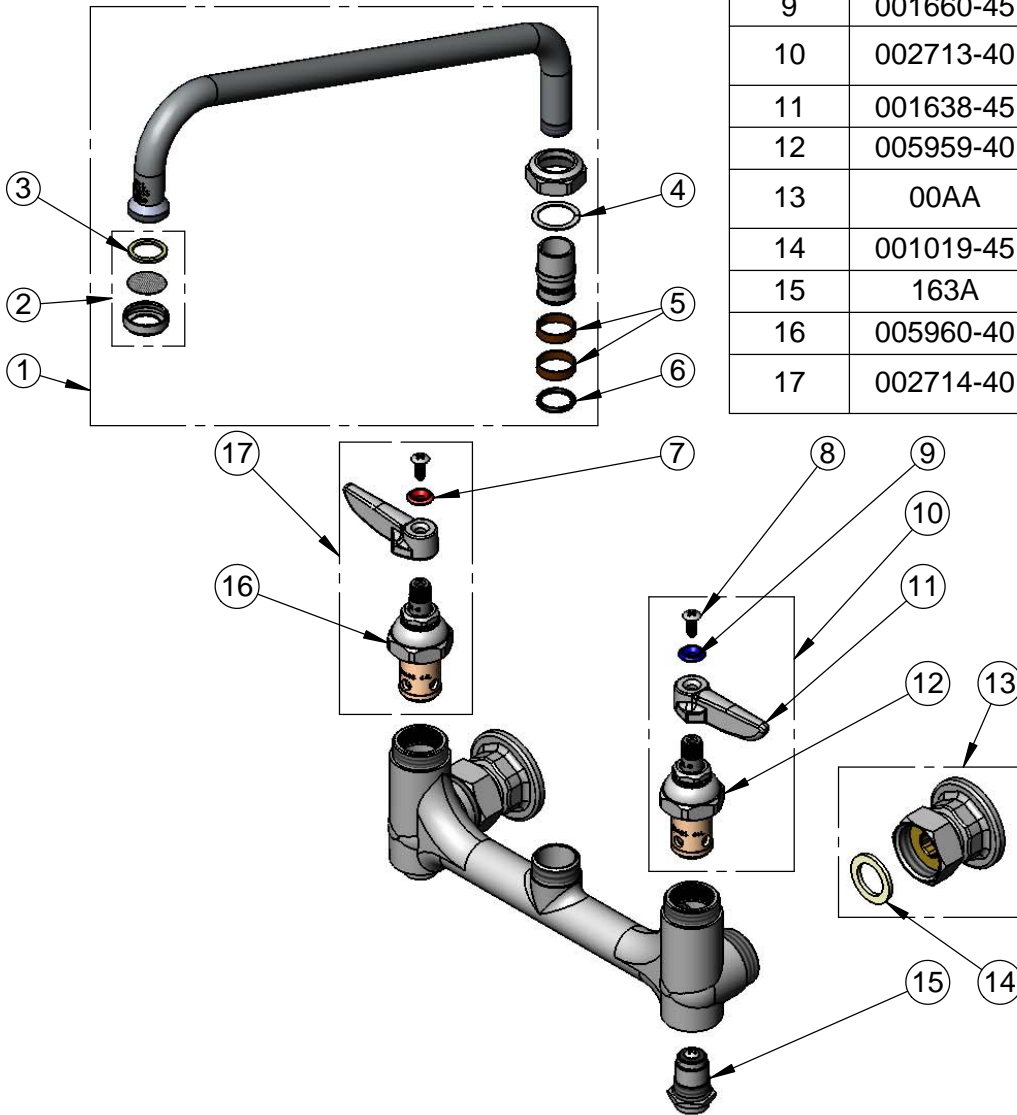
Model No.

B-0231-BST

Item No.

Travelers Rest, SC: 800-476-4103 • Simi Valley, CA: 800-423-0150 • Fax: 864-834-3518 • www.tsbrass.com

ITEM NO.	SALES NO.	DESCRIPTION
1	062X	12" Swing Nozzle
2	B-PT	Stream Regulator Outlet
3	001048-45	Nozzle Tip Washer
4	009538-45	Swivel Washer
5	011429-45	Swivel Sleeves (2)
6	001074-45	O-Ring
7	001661-45	Red Index-HW
8	000922-45	Lever Handle Screw
9	001660-45	Blue Index-CW
10	002713-40	Eterna Cartridge, LTC w/ Handle, Index & Screw
11	001638-45	Lever Handle
12	005959-40	Eterna Cartridge, LTC
13	00AA	1/2" NPT Female Eccentric Flange
14	001019-45	Coupling Nut Washer
15	163A	Built-in Service Stop
16	005960-40	Eterna Cartridge, RTC
17	002714-40	Eterna Cartridge, RTC w/ Handle, Index & Screw



Product Specifications:

8" Wall Mount Mixing Faucet, Eterna Cartridges, Lever Handles, 12" Swing Nozzle, Built-In Stops & 1/2" NPT Female Inlets

Product Compliance:

ASME A112.18.1 / CSA B125.1
NSF 61 - Section 9
NSF 372 (Low Lead Content)
ANSI A117.1 (ADA)