



# T&S BRASS AND BRONZE WORKS, INC.

2 Saddleback Cove / P.O. Box 1088  
Travelers Rest, SC 29690

Model No.

**B-0230-CC-CR**

Item No.

Travelers Rest, SC: 800-476-4103 • Simi Valley, CA: 800-423-0150 • Fax: 864-834-3518 • www.tsbrass.com



**ADA Compliant**

This Space for Architect/Engineer Approval

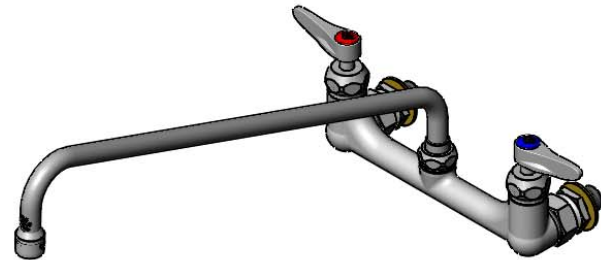
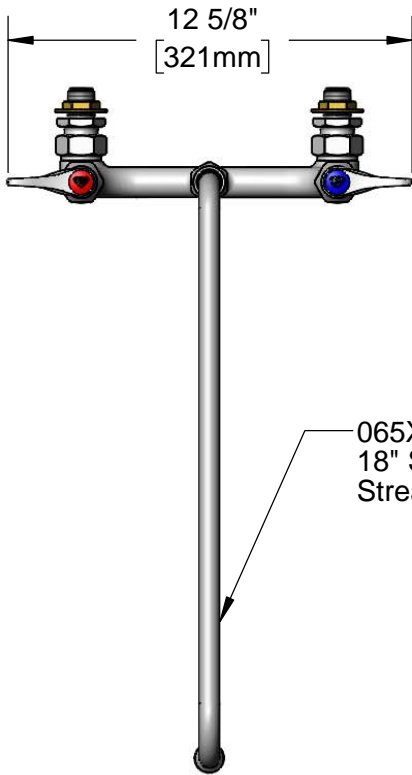
Job Name \_\_\_\_\_ Date \_\_\_\_\_

Model Specified \_\_\_\_\_ Quantity \_\_\_\_\_

Customer/Wholesaler \_\_\_\_\_

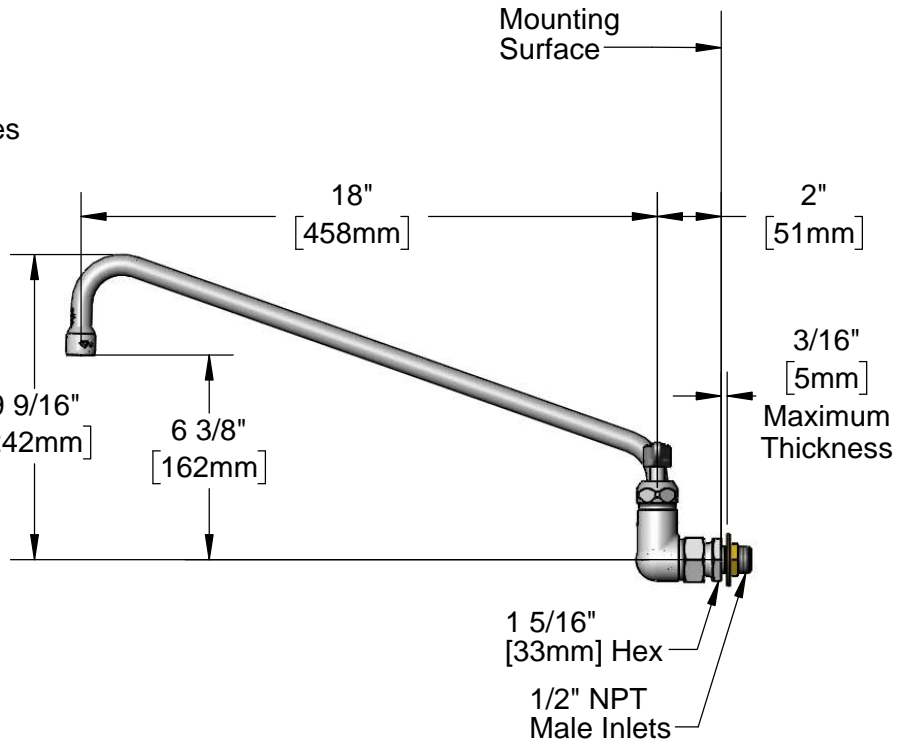
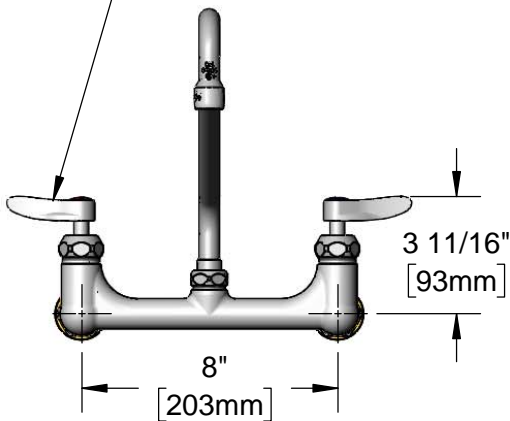
Contractor \_\_\_\_\_

Architect/Engineer \_\_\_\_\_



065X  
18" Swing Nozzle w/  
Stream Regulator Outlet

Quarter-Turn Cerama Cartridges  
w/ Check Valves &  
Lever Handles w/  
Color Coded Indexes



Rough-In Requirement:  
(2)  $\varnothing$ 1" [25mm] Mounting Holes

**Product Specifications:**

8" Wall Mount Mixing Faucet, Quarter-Turn Cerama Cartridges w/ Check Valves, Lever Handles, 18" Swing Nozzle w/ Stream Regulator Outlet & 1/2" NPT Male Inlets

**Product Compliance:**

ASME A112.18.1 / CSA B125.1  
NSF 61 - Section 9  
NSF 372 (Low Lead Content)  
ANSI A117.1 (ADA)

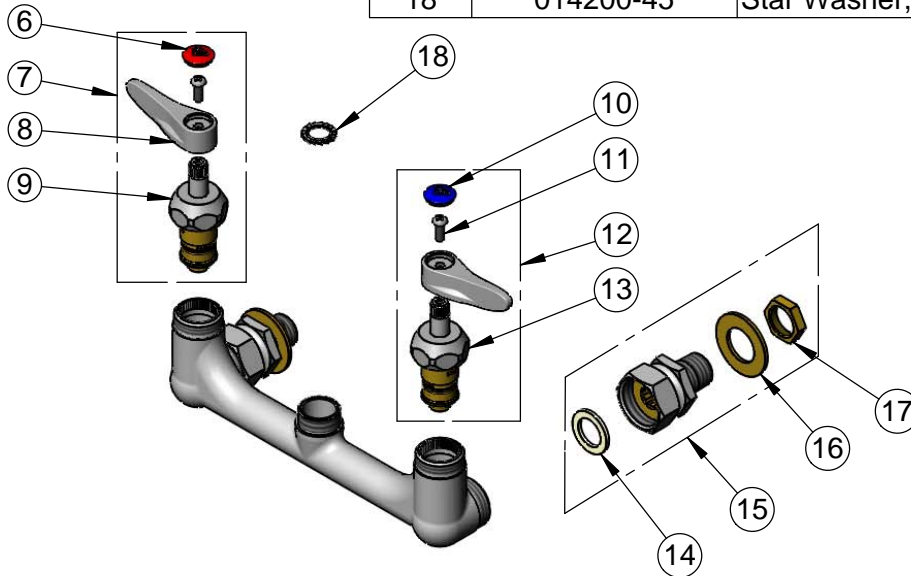
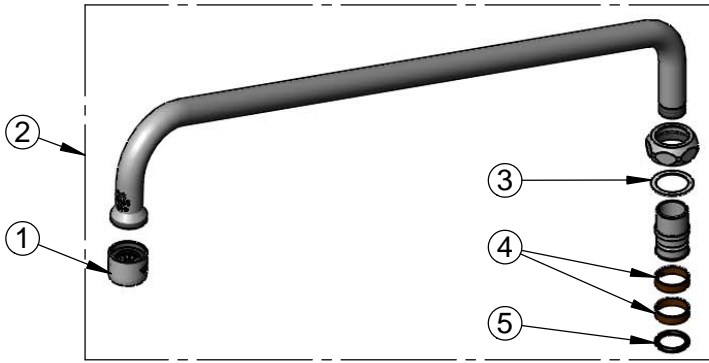


**T&S BRASS AND BRONZE WORKS, INC.**  
 2 Saddleback Cove / P.O. Box 1088  
 Travelers Rest, SC 29690

Model No.  
**B-0230-CC-CR**  
 Item No.

Travelers Rest, SC: 800-476-4103 • Simi Valley, CA: 800-423-0150 • Fax: 864-834-3518 • www.tsbrass.com

ITEM NO.	SALES NO.	DESCRIPTION
1	B-PT	Stream Regulator Outlet
2	065X	18" Swing Nozzle
3	009538-45	Swivel Washer
4	011429-45	Swivel Sleeves (2)
5	001074-45	O-Ring
6	001193-19NS	Red Button Index, Press-in
7	012446-25NS	Quarter-Turn Cerama Cartridge w/ Check Valve, Handle, Red Index & Screw, RTC
8	001638-45NS	Lever Handle (New Style)
9	012394-25NS	Quarter-Turn Cerama Cartridge w/ Check Valve, RTC
10	018506-19NS	Blue Button Index, Press-in
11	000925-45	Lab Handle Screw
12	012447-25NS	Quarter-Turn Cerama Cartridge w/ Check Valve, Handle, Blue Index & Screw, LTC
13	012394-25NS	Quarter-Turn Cerama Cartridge w/ Check Valve, LTC
14	001019-45	Coupling Nut Washer
15	00CC	Male Inlet, 1/2" NPT
16	000999-45	Brass Lock Washer
17	002954-45	Shank Lock Nut
18	014200-45	Star Washer, Anti-Rotation



**Product Specifications:**  
 8" Wall Mount Mixing Faucet, Quarter-Turn Cerama Cartridges w/ Check Valves, Lever Handles, 18" Swing Nozzle w/ Stream Regulator Outlet & 1/2" NPT Male Inlets

**Product Compliance:**  
 ASME A112.18.1 / CSA B125.1  
 NSF 61 - Section 9  
 NSF 372 (Low Lead Content)  
 ANSI A117.1 (ADA)