

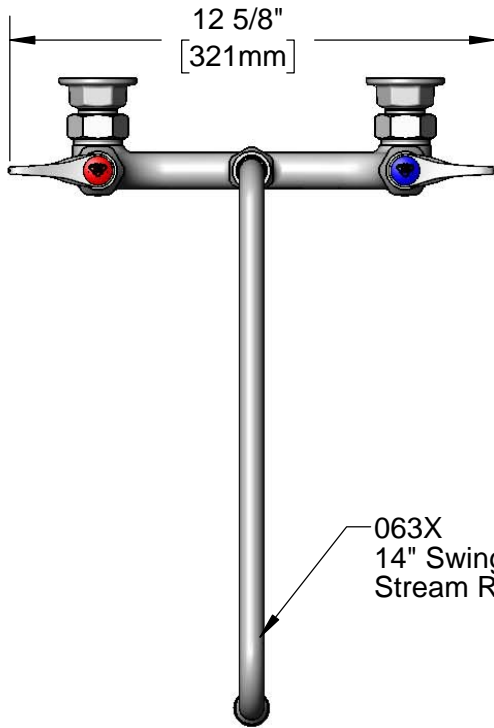


T&S BRASS AND BRONZE WORKS, INC.
 2 Saddleback Cove / P.O. Box 1088
 Travelers Rest, SC 29690

Model No.
B-0230-14-CR-SC

Item No.

Travelers Rest, SC: 800-476-4103 • Simi Valley, CA: 800-423-0150 • Fax: 864-834-3518 • www.tsbrass.com



ADA Compliant

This Space for Architect/Engineer Approval

Job Name _____ Date _____

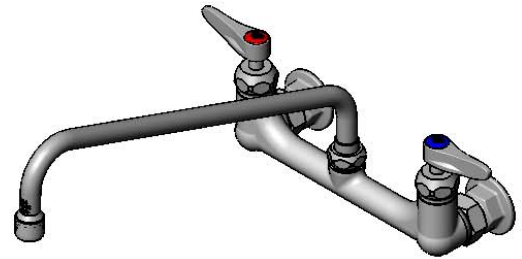
Model Specified _____ Quantity _____

Customer/Wholesaler _____

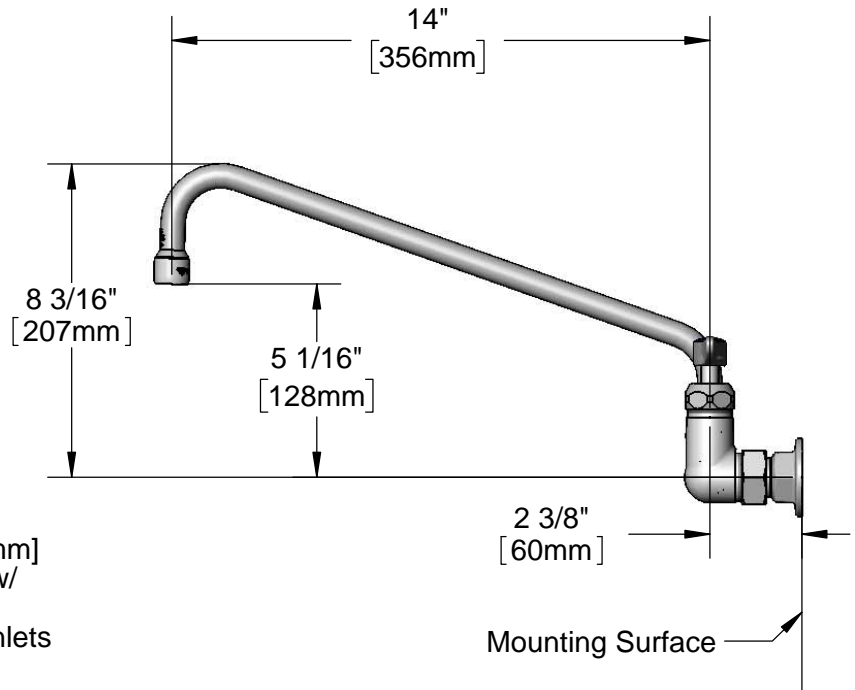
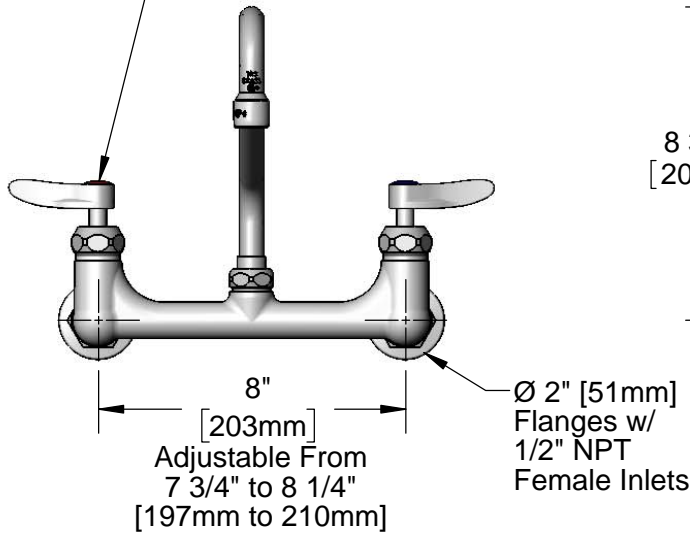
Contractor _____

Architect/Engineer _____

063X
 14" Swing Nozzle w/
 Stream Regulator Outlet



Quarter-Turn Cerama Cartridges
 w/ Check Valves &
 Lever Handles w/
 Color Coded Indexes



Product Specifications:
 8" Wall Mount Mixing Faucet, 14" Swing Nozzle w/ Stream Regulator Outlet,
 Quarter-Turn Cerama Cartridges w/ Check Valves, Lever Handles & 1/2"
 NPT Female Inlet Flanges

Product Compliance:
 ASME A112.18.1 / CSA B125.1
 NSF 61 - Section 9
 NSF 372 (Low Lead Content)
 ANSI A117.1 (ADA)



T&S BRASS AND BRONZE WORKS, INC.

2 Saddleback Cove / P.O. Box 1088
Travelers Rest, SC 29690

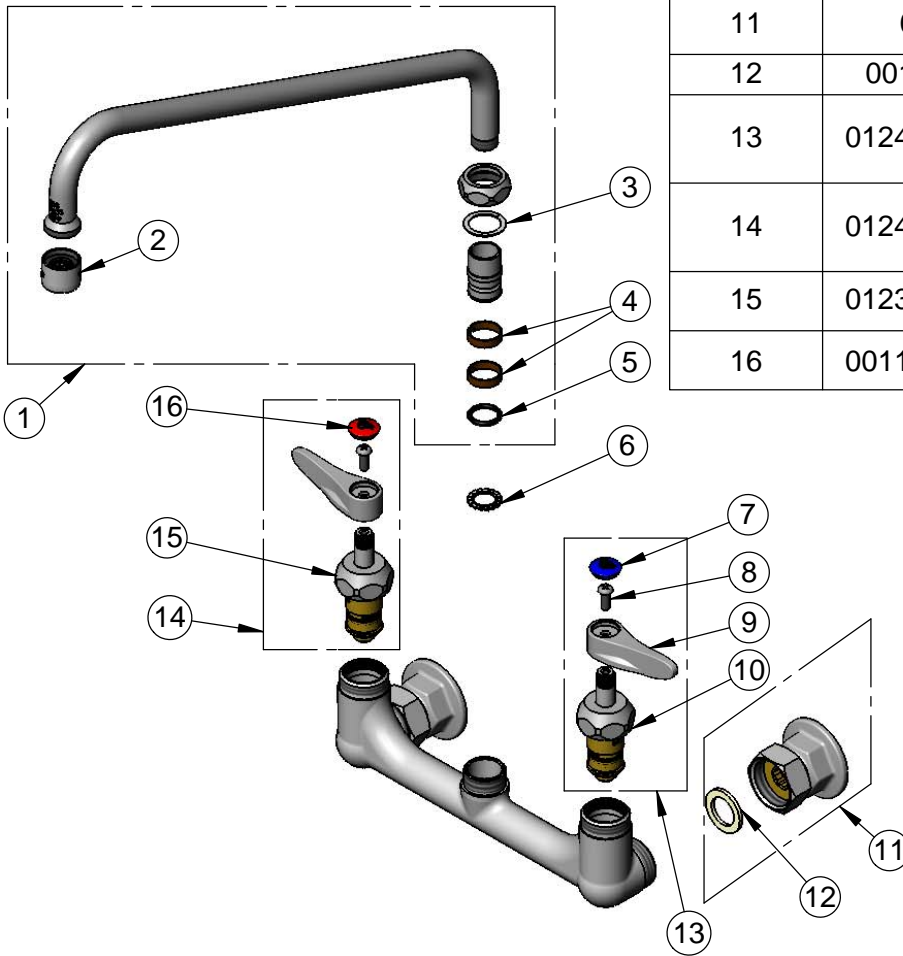
Model No.

B-0230-14-CR-SC

Item No.

Travelers Rest, SC: 800-476-4103 • Simi Valley, CA: 800-423-0150 • Fax: 864-834-3518 • www.tsbrass.com

ITEM NO.	SALES NO.	DESCRIPTION
1	063X	14" Swing Nozzle w/ Stream Regulator Outlet
2	B-PT	Stream Regulator Outlet
3	009538-45	Swivel Washer
4	011429-45	Swivel Sleeves (2)
5	001074-45	O-Ring
6	014200-45	Star Washer, Anti-Rotation
7	018506-19NS	Blue Button Index, Press-in
8	000925-45	Lab Handle Screw
9	001638-45NS	Lever Handle (New Style)
10	012395-25NS	Quarter-Turn Cerama Cartridge w/ Check Valve, LTC
11	00AA	1/2" NPT Female Eccentric Flange
12	001019-45	Coupling Nut Washer
13	012447-40NS	Quarter-Turn Cerama Cartridge w/ Check Valve, Handle, Blue Index & Screw, LTC
14	012446-25NS	Quarter-Turn Cerama Cartridge w/ Check Valve, Handle, Red Index & Screw, RTC
15	012394-25NS	Quarter-Turn Cerama Cartridge w/ Check Valve, RTC
16	001193-19NS	Red Button Index, Press-in



Product Specifications:

8" Wall Mount Mixing Faucet, 14" Swing Nozzle w/ Stream Regulator Outlet, Quarter-Turn Cerama Cartridges w/ Check Valves, Lever Handles & 1/2" NPT Female Inlet Flanges

Product Compliance:

ASME A112.18.1 / CSA B125.1
NSF 61 - Section 9
NSF 372 (Low Lead Content)
ANSI A117.1 (ADA)