



# T&S BRASS AND BRONZE WORKS, INC.

2 Saddleback Cove / P.O. Box 1088  
Travelers Rest, SC 29690

Model No.

**B-0230-0CS8-CR**

Item No.

Travelers Rest, SC: 800-476-4103 • Simi Valley, CA: 800-423-0150 • Fax: 864-834-3518 • www.tsbrass.com

This Space for Architect/Engineer Approval

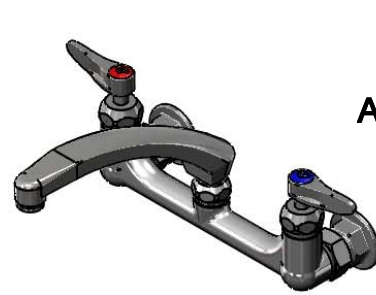
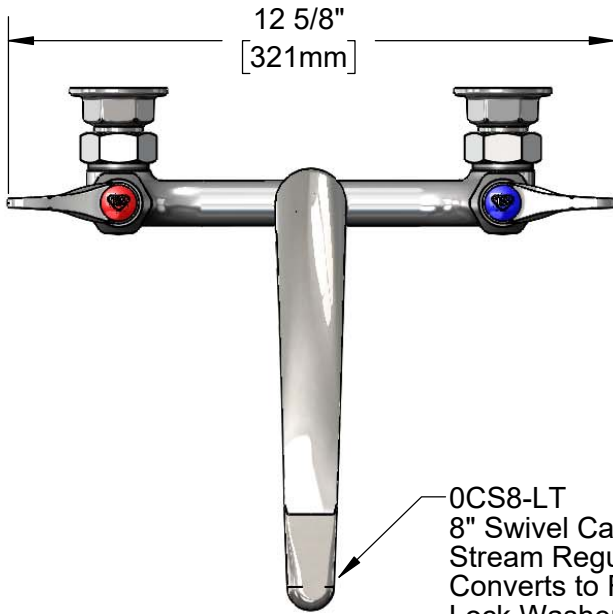
Job Name \_\_\_\_\_ Date \_\_\_\_\_

Model Specified \_\_\_\_\_ Quantity \_\_\_\_\_

Customer/Wholesaler \_\_\_\_\_

Contractor \_\_\_\_\_

Architect/Engineer \_\_\_\_\_

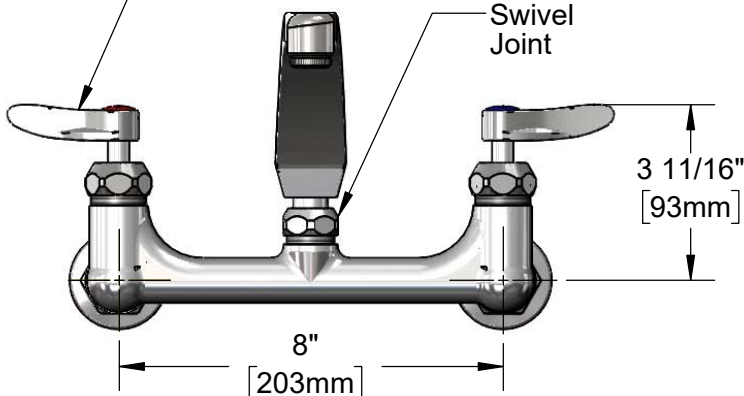


**ADA Compliant**

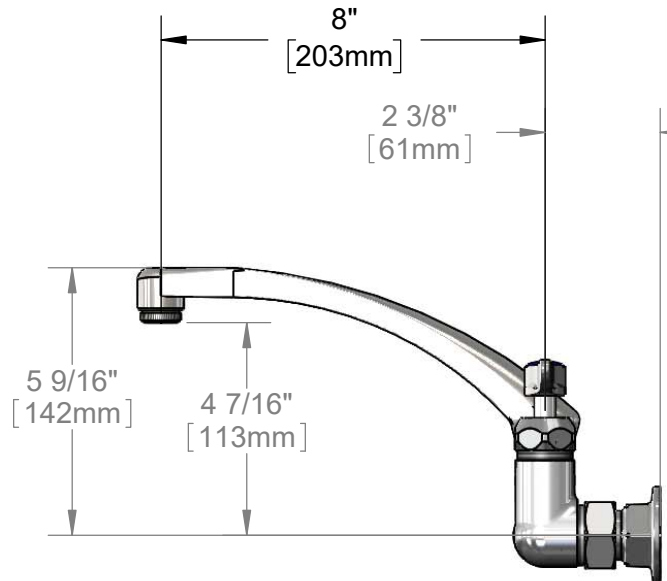
OCS8-LT  
8" Swivel Cast Spout w/  
Stream Regulator Outlet  
Converts to Rigid w/ 014200-45  
Lock Washer (Included).

Quarter-Turn Cerama Cartridges  
w/ Check Valves &  
Lever Handles w/  
Color Coded Indexes

Swivel  
Joint



Adjustable from  
7 3/4" to 8 1/4"  
[197mm to 210mm]



Ø 2" [51mm]  
Wall Flanges  
w/ 1/2" NPT  
Female Inlets

### Product Specifications:

8" Wall Mount Faucet, Quarter-Turn Cerama Cartridges w/ Check Valves,  
8" Swivel Cast Spout & 1/2" NPT Wall Flange Inlets

### Product Compliance:

ASME A112.18.1 / CSA B125.1  
NSF 61 - Section 9  
NSF 372 (Low Lead Content)  
ANSI A117.1 (ADA)



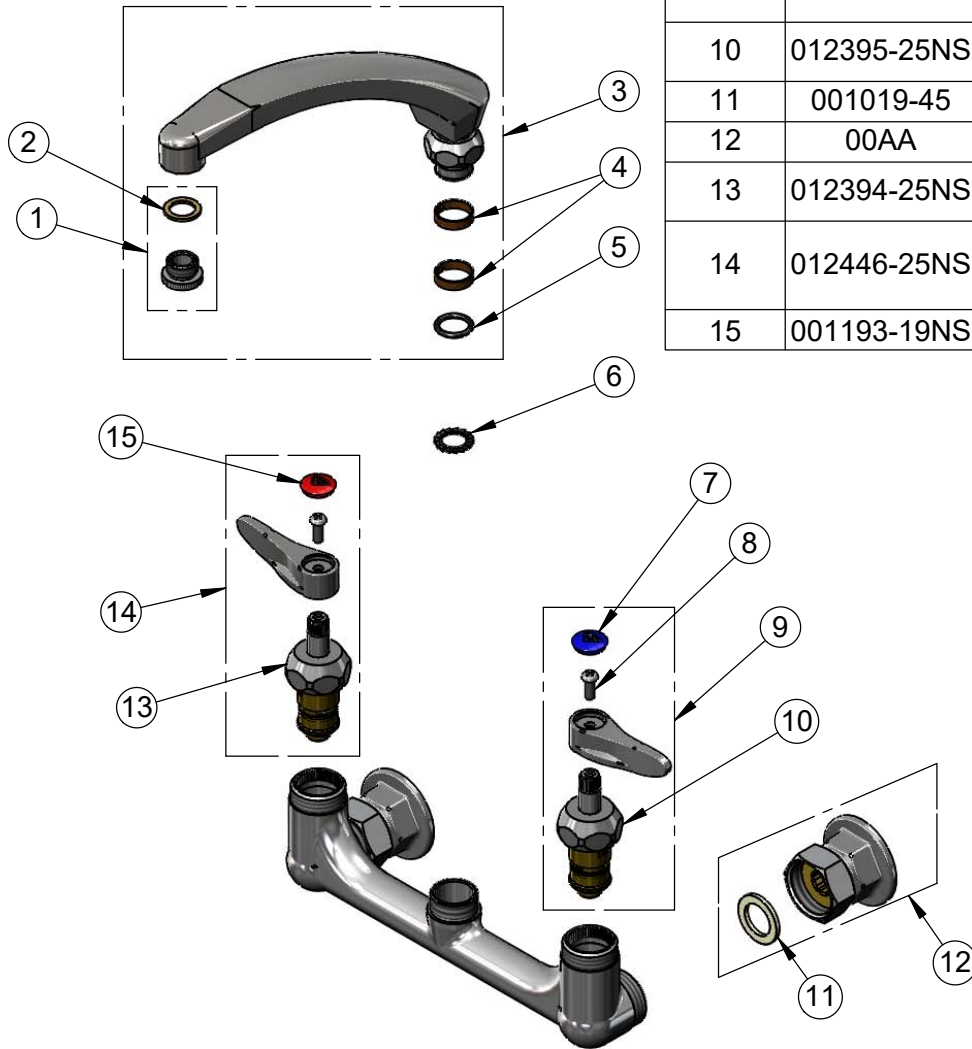
**T&S BRASS AND BRONZE WORKS, INC.**  
 2 Saddleback Cove / P.O. Box 1088  
 Travelers Rest, SC 29690

Model No.  
**B-0230-0CS8-CR**

Item No.

Travelers Rest, SC: 800-476-4103 • Simi Valley, CA: 800-423-0150 • Fax: 864-834-3518 • www.tsbrass.com

ITEM NO.	SALES NO.	DESCRIPTION
1	B-LT	Stream Regulator Outlet
2	001043-45	Washer
3	0CS8-LT	8" Swivel Cast Spout w/ Stream Regulator Outlet
4	011429-45	Swivel Sleeves (2)
5	001074-45	O-Ring
6	014200-45	Star Washer, Anti-Rotation
7	018506-19NS	Blue Button Index, Press-in
8	000925-45	Lab Handle Screw
9	012447-25NS	Quarter-Turn Cerama Cartridge w/ Check Valve, Handle, Blue Index & Screw, LTC
10	012395-25NS	Quarter-Turn Cerama Cartridge w/ Check Valve, LTC
11	001019-45	Coupling Nut Washer
12	00AA	1/2" NPT Female Eccentric Flange
13	012394-25NS	Quarter-Turn Cerama Cartridge w/ Check Valve, RTC
14	012446-25NS	Quarter-Turn Cerama Cartridge w/ Check Valve, Handle, Red Index & Screw, RTC
15	001193-19NS	Red Button Index, Press-in



**Product Specifications:**  
 8" Wall Mount Faucet, Quarter-Turn Cerama Cartridges w/ Check Valves,  
 8" Swivel Cast Spout & 1/2" NPT Wall Flange Inlets

**Product Compliance:**  
 ASME A112.18.1 / CSA B125.1  
 NSF 61 - Section 9  
 NSF 372 (Low Lead Content)  
 ANSI A117.1 (ADA)