



T&S BRASS AND BRONZE WORKS, INC.

2 Saddleback Cove / P.O. Box 1088
Travelers Rest, SC 29690

Model No.

B-0230-01

Item No.

Travelers Rest, SC: 800-476-4103 • Simi Valley, CA: 800-423-0150 • Fax: 864-834-3518 • www.tsbrass.com

This Space for Architect/Engineer Approval

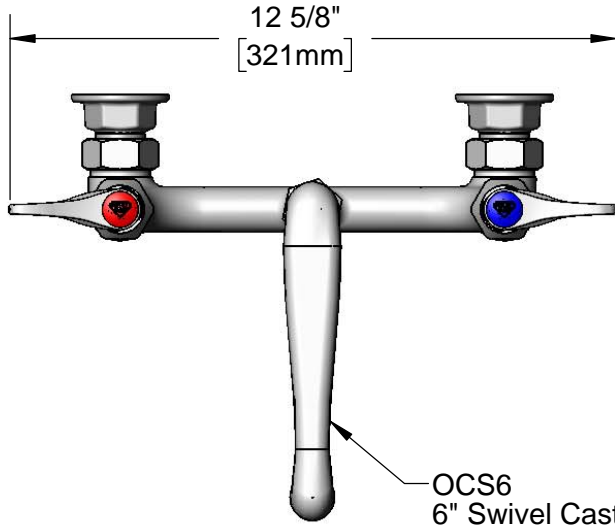
Job Name _____ Date _____

Model Specified _____ Quantity _____

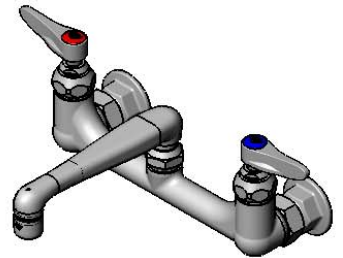
Customer/Wholesaler _____

Contractor _____

Architect/Engineer _____

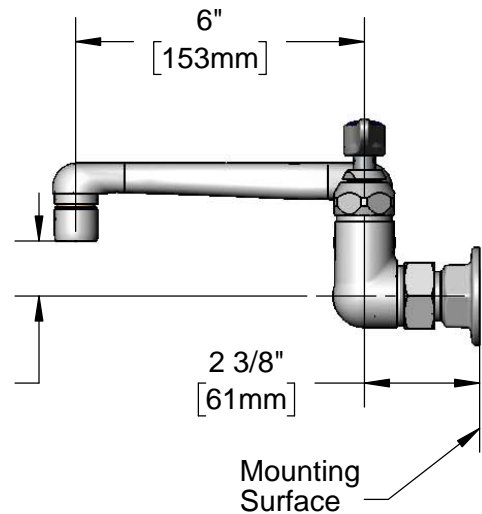
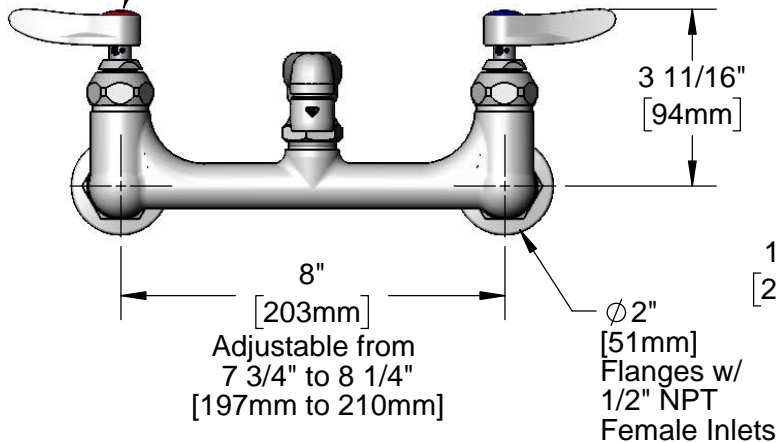


ADA Compliant



OCS6
6" Swivel Cast Spout w/
2.2 GPM Aerator

Quarter-Turn Eterna Cartridges w/
Spring Checks & Lever Handles w/
Color Coded Indexes



Product Specifications:

8" Wall Mount Mixing Faucet, Quarter-Turn Eterna Cartridges w/ Spring Checks, Lever Handles, 6" Cast Spout w/ 2.2 GPM Aerator and 1/2" NPT Female Inlets

Product Compliance:

ASME A112.18.1 / CSA B125.1
NSF 61 - Section 9
NSF 372 (Low Lead Content)
ANSI A117.1 (ADA)



T&S BRASS AND BRONZE WORKS, INC.

2 Saddleback Cove / P.O. Box 1088
Travelers Rest, SC 29690

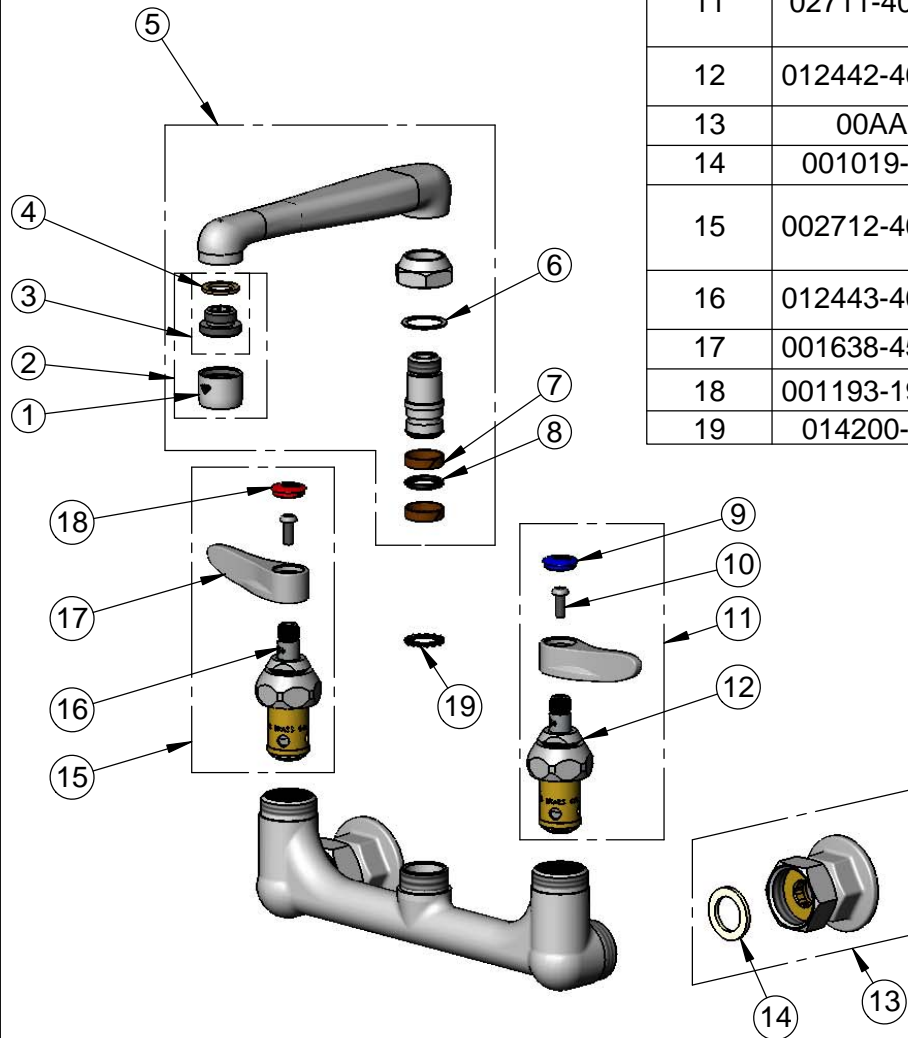
Model No.

B-0230-01

Item No.

Travelers Rest, SC: 800-476-4103 • Simi Valley, CA: 800-423-0150 • Fax: 864-834-3518 • www.tsbrass.com

ITEM NO.	SALES NO.	DESCRIPTION
1	B-0199-01	2.2 GPM Aerator, 55/64"-27 UN Female
2	B-0199-02	2.2 GPM Aerator w/ 3/8" NPT Male Adapter
3	044A	3/8" to Aerator Adapter
4	001043-45	Washer
5	OCS6	6" Case Spout
6	009E	Plastic Washer
7	011429-45	Swivel Sleeves (2)
8	001074-45	O-Ring
9	018506-19NS	Blue Button Index, Press-in
10	000925-45	Lab Handle Screw
11	02711-40NS	Quarter-Turn Eterna Cartridge w/ Spring Check, Handle, Blue Index & Screw, LTC
12	012442-40NS	Quarter-Turn Eterna Cartridge w/ Spring Check, LTC
13	00AA	1/2" NPT Female Eccentric Flange
14	001019-45	Coupling Nut Washer
15	002712-40NS	Quarter-Turn Eterna Cartridge w/ Spring Check, Handle, Red Index & Screw, RTC
16	012443-40NS	Quarter-Turn Eterna Cartridge w/ Spring Check, RTC
17	001638-45NS	Lever Handle (New Style)
18	001193-19NS	Red Button Index, Press-in
19	014200-45	Star Washer, Anti-Rotation



Product Specifications:

8" Wall Mount Mixing Faucet, Quarter-Turn Eterna Cartridges w/ Spring Checks, Lever Handles, 6" Cast Spout w/ 2.2 GPM Aerator and 1/2" NPT Female Inlets

Product Compliance:

ASME A112.18.1 / CSA B125.1
NSF 61 - Section 9
NSF 372 (Low Lead Content)
ANSI A117.1 (ADA)