



T&S BRASS AND BRONZE WORKS, INC.

2 Saddleback Cove / P.O. Box 1088
Travelers Rest, SC 29690

Model No.

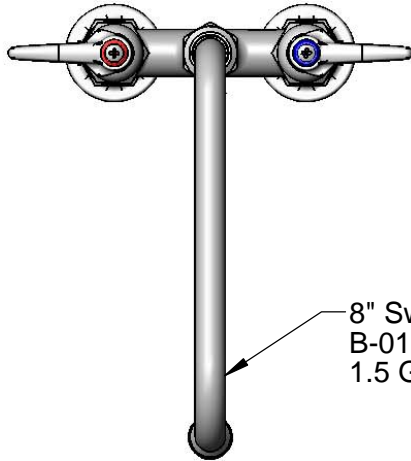
B-0227-CR-WS

Item No.

Travelers Rest, SC: 800-476-4103 • Simi Valley, CA: 800-423-0150 • Fax: 864-834-3518 • www.tsbrass.com



ADA Compliant



8" Swing Nozzle w/
B-0199-01-WS
1.5 GPM Aerator

This Space for Architect/Engineer Approval

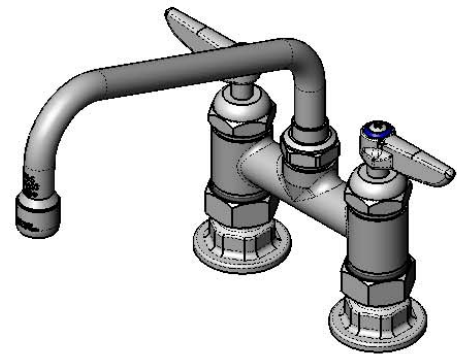
Job Name _____ Date _____

Model Specified _____ Quantity _____

Customer/Wholesaler _____

Contractor _____

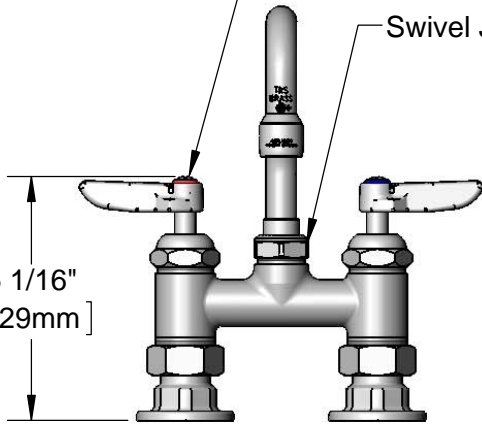
Architect/Engineer _____



Quarter-Turn
Cerama Cartridges &
Lever Handles w/
Color Coded Indexes

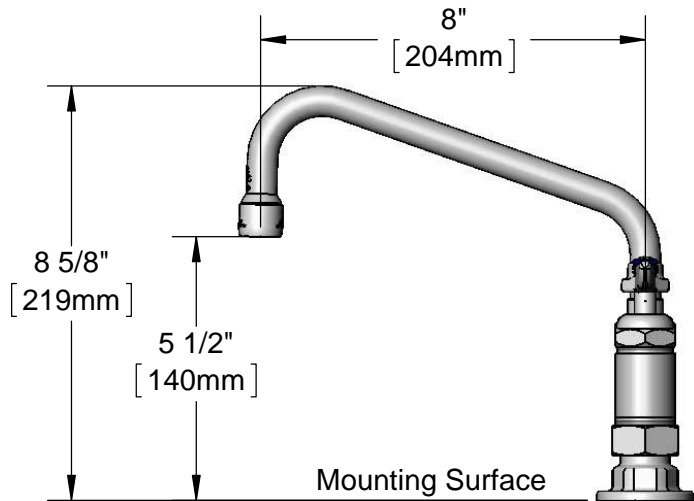
Swivel Joint

5 1/16"
[129mm]



4"
[102mm]

Adjustable from
3 3/4" to 4 1/4"
[95mm to 108mm]



8 5/8"
[219mm]

5 1/2"
[140mm]

Mounting Surface

Ø 2" [51mm]
Flanges w/
1/2" NPT
Female Inlets

Product Specifications:

4" Deck Mount Mixing Faucet, Cerama Cartridges, Lever Handles,
8" Swing Nozzle, 1.5 GPM Aerator & 1/2" NPT Female Inlets

Product Compliance:

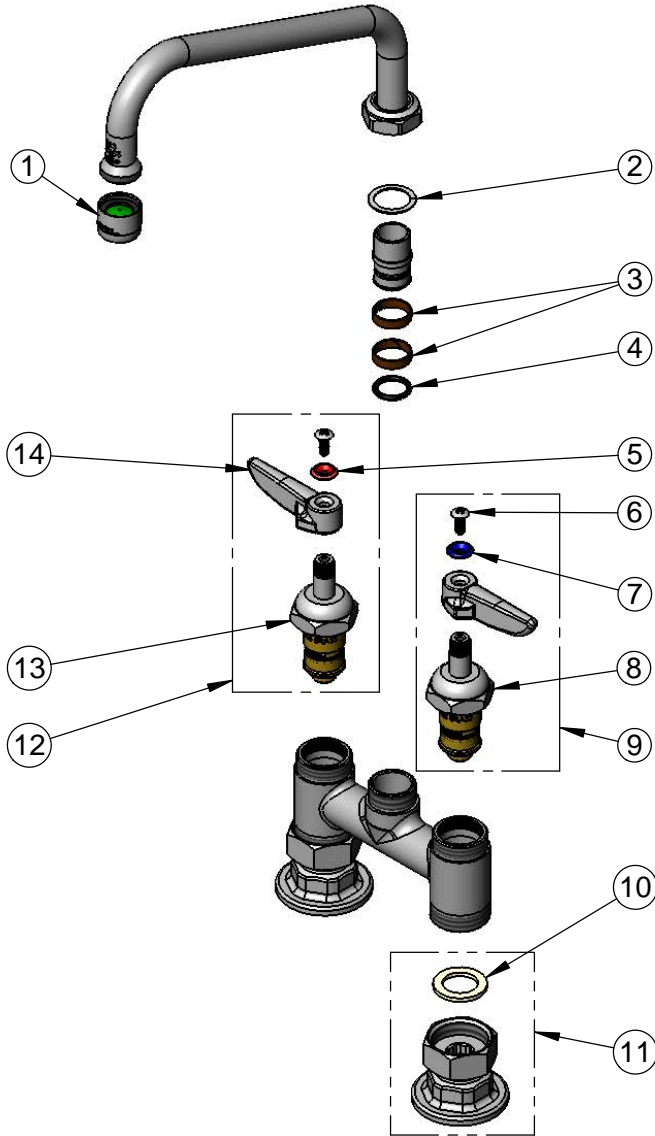
ASME A112.18.1 / CSA B125.1
NSF 61 - Section 9
NSF 372 (Low Lead Content)
ANSI A117.1 (ADA)



T&S BRASS AND BRONZE WORKS, INC.
 2 Saddleback Cove / P.O. Box 1088
 Travelers Rest, SC 29690

Model No.
B-0227-CR-WS
 Item No.

Travelers Rest, SC: 800-476-4103 • Simi Valley, CA: 800-423-0150 • Fax: 864-834-3518 • www.tsbrass.com



ITEM NO.	SALES NO.	DESCRIPTION
1	B-0199-01-WS	1.5 GPM Aerator, 55/64-27 Female
2	009538-45	Swivel Washer
3	011429-45	Swivel Sleeves (2)
4	001074-45	O-Ring
5	001661-45	Red Index-HW
6	000922-45	Lever Handle Screw
7	001660-45	Blue Index-CW
8	011279-25	Quarter-Turn Cerama Cartridge, LTC
9	012445-25	Quarter-Turn Cerama Cartridge, LTC w/ Handle, Index & Screw
10	001019-45	Coupling Nut Washer
11	00AA	1/2" NPT Female Eccentric Flange
12	012444-25	Quarter-Turn Cerama Cartridge, RTC w/ Handle, Index & Screw
13	011278-25	Quarter-Turn Cerama Cartridge, RTC
14	001638-45	Lever Handle

Product Specifications:

4" Deck Mount Mixing Faucet, Cerama Cartridges, Lever Handles, 8" Swing Nozzle, 1.5 GPM Aerator & 1/2" NPT Female Inlets

Product Compliance:

ASME A112.18.1 / CSA B125.1
 NSF 61 - Section 9
 NSF 372 (Low Lead Content)
 ANSI A117.1 (ADA)