



T&S BRASS AND BRONZE WORKS, INC.

2 Saddleback Cove / P.O. Box 1088
Travelers Rest, SC 29690

Model No.

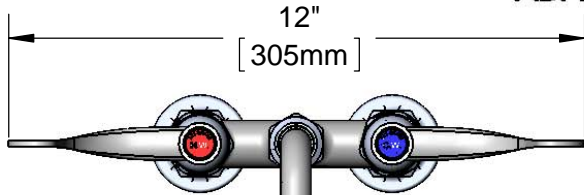
B-0226-WH4

Item No.

Travelers Rest, SC: 800-476-4103 • Simi Valley, CA: 800-423-0150 • Fax: 864-834-3518 • www.tsbrass.com



ADA Compliant



This Space for Architect/Engineer Approval

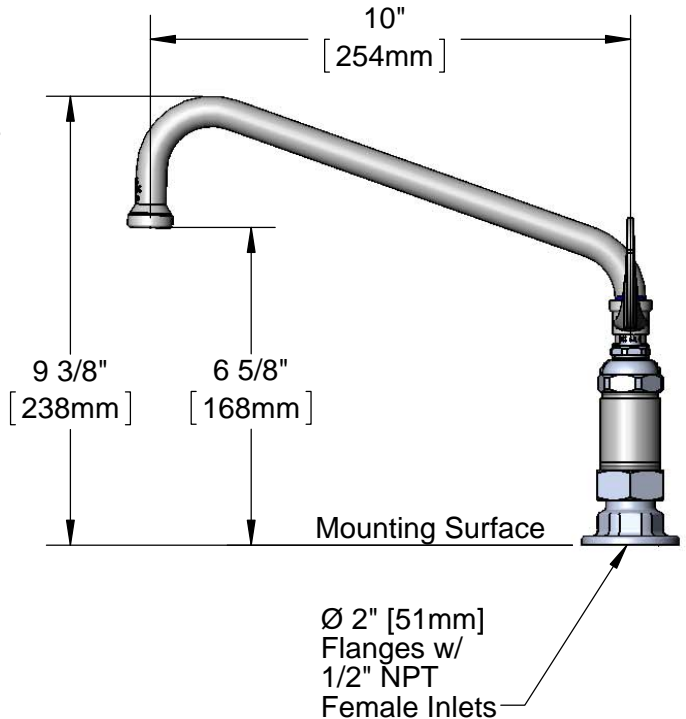
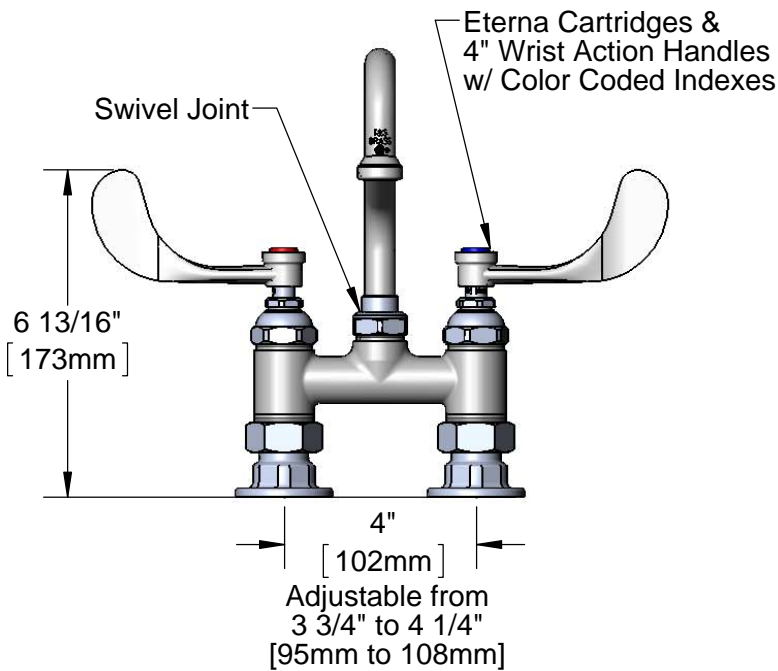
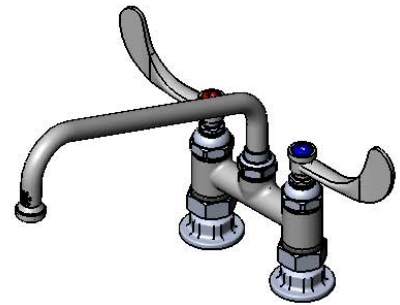
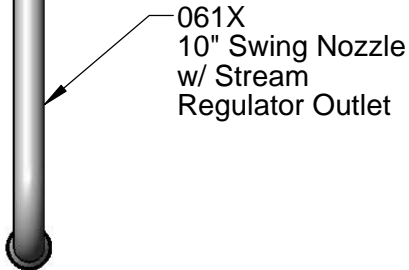
Job Name _____ Date _____

Model Specified _____ Quantity _____

Customer/Wholesaler _____

Contractor _____

Architect/Engineer _____



Product Specifications:

4" Deck Mount Mixing Faucet, Eterna Cartridges, Wrist Action Handles, 10" Swing Nozzle, Stream Regulator Outlet & 1/2" NPT Female Inlets

Product Compliance:

ASME A112.18.1 / CSA B125.1
NSF 61 - Section 9
NSF 372 (Low Lead Content)
ANSI A117.1 (ADA)



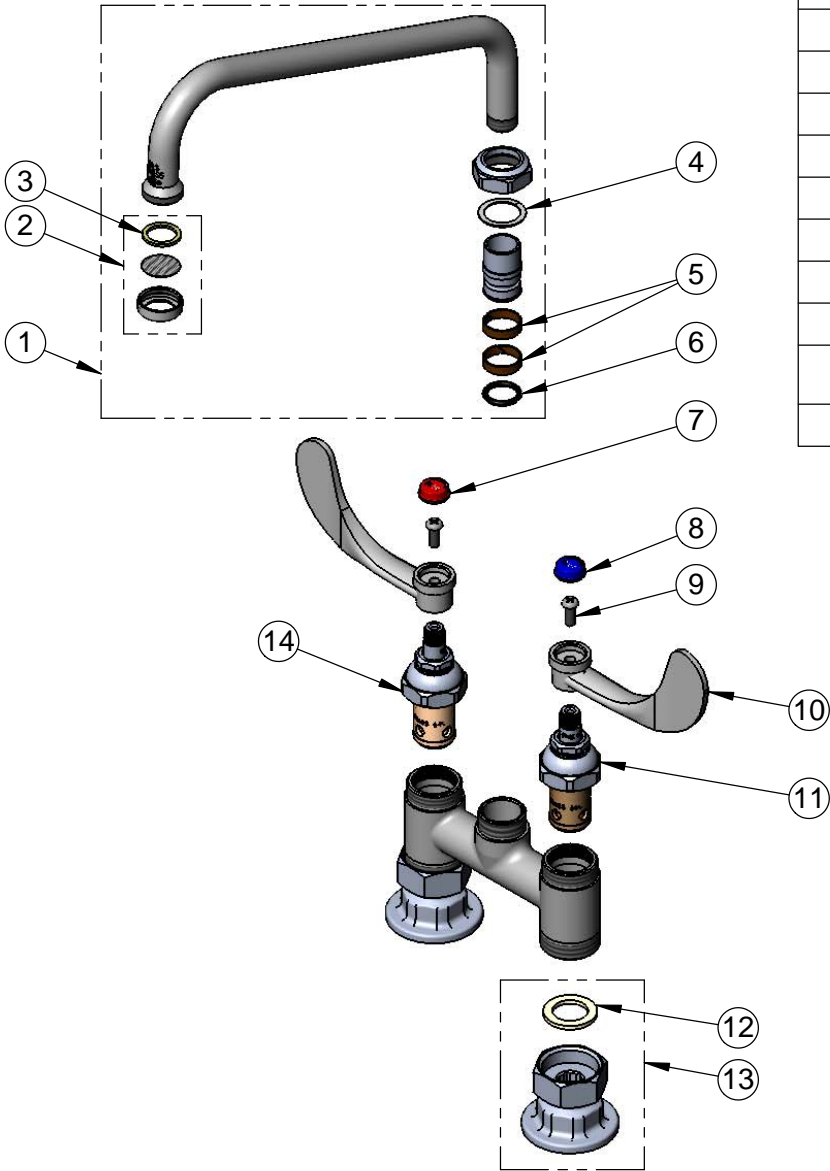
T&S BRASS AND BRONZE WORKS, INC.
 2 Saddleback Cove / P.O. Box 1088
 Travelers Rest, SC 29690

Model No.
B-0226-WH4

Item No.

Travelers Rest, SC: 800-476-4103 • Simi Valley, CA: 800-423-0150 • Fax: 864-834-3518 • www.tsbrass.com

ITEM NO.	SALES NO.	DESCRIPTION
1	061X	10" Swing Nozzle
2	B-PT	Stream Regulator Outlet
3	001048-45	Nozzle Tip Washer
4	009538-45	Swivel Washer
5	011429-45	Swivel Sleeves (2)
6	001074-45	O-Ring
7	001194-45	Red Index - HW
8	001686-45	Blue Index - CW
9	000925-45	Lab Handle Screw
10	B-WH4	4" Wrist Action Handle
11	006009-40	Eterna Cartridge, LTC (Teflon)
12	001019-45	Coupling Nut Washer
13	00AA	1/2" NPT Female Eccentric Flange
14	006010-40	Eterna Cartridge, RTC (Teflon)



Product Specifications:
 4" Deck Mount Mixing Faucet, Eterna Cartridges, Wrist Action Handles, 10" Swing Nozzle, Stream Regulator Outlet & 1/2" NPT Female Inlets

Product Compliance:
 ASME A112.18.1 / CSA B125.1
 NSF 61 - Section 9
 NSF 372 (Low Lead Content)
 ANSI A117.1 (ADA)