



T&S BRASS AND BRONZE WORKS, INC.

2 Saddleback Cove / P.O. Box 1088
Travelers Rest, SC 29690

Model No.

B-0225-LN-CC-CR

Item No.

Travelers Rest, SC: 800-476-4103 • Simi Valley, CA: 800-423-0150 • Fax: 864-834-3518 • www.tsbrass.com



ADA Compliant

This Space for Architect/Engineer Approval

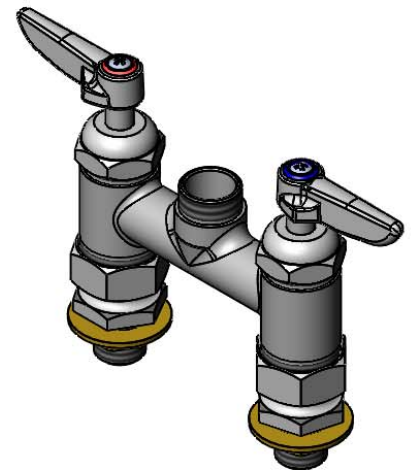
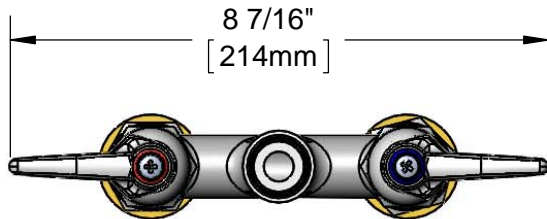
Job Name _____ Date _____

Model Specified _____ Quantity _____

Customer/Wholesaler _____

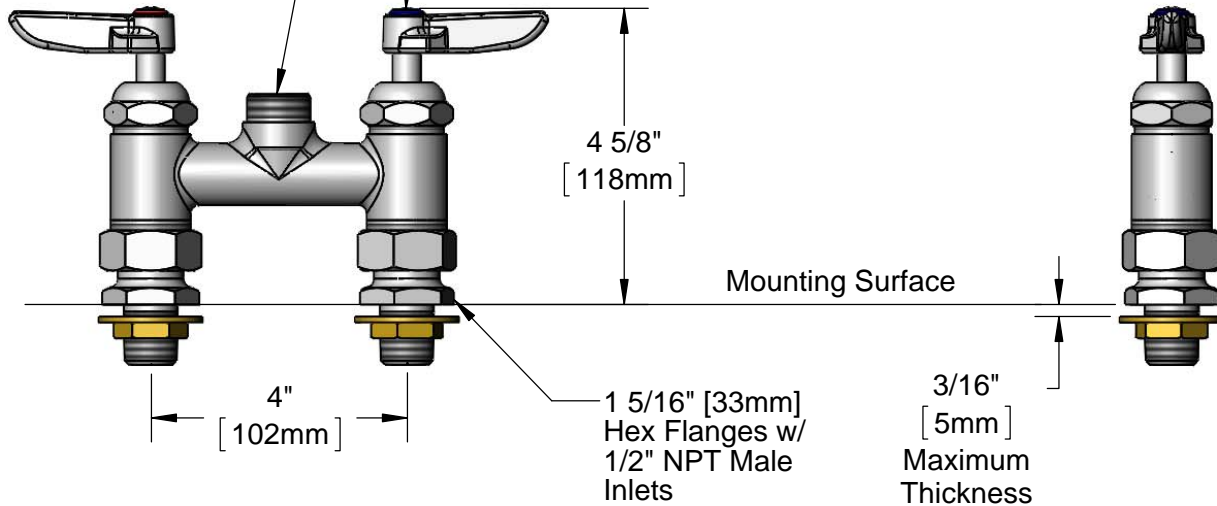
Contractor _____

Architect/Engineer _____



Swivel Outlet Accepts Standard T&S Swing Nozzles

Quarter-Turn Cerama Cartridges & Lever Handles w/ Color Coded Indexes



Rough-In Requirement:
(2) ϕ 1" [25mm] Mounting Holes

Product Specifications:
4" Deck Mount Mixing Faucet, Quarter-Turn Cerama Cartridges, Lever Handles & 1/2" NPT Male Inlets

Product Compliance:
ASME A112.18.1 / CSA B125.1
NSF 61 - Section 9
NSF 372 (Low Lead Content)
ANSI A117.1 (ADA)



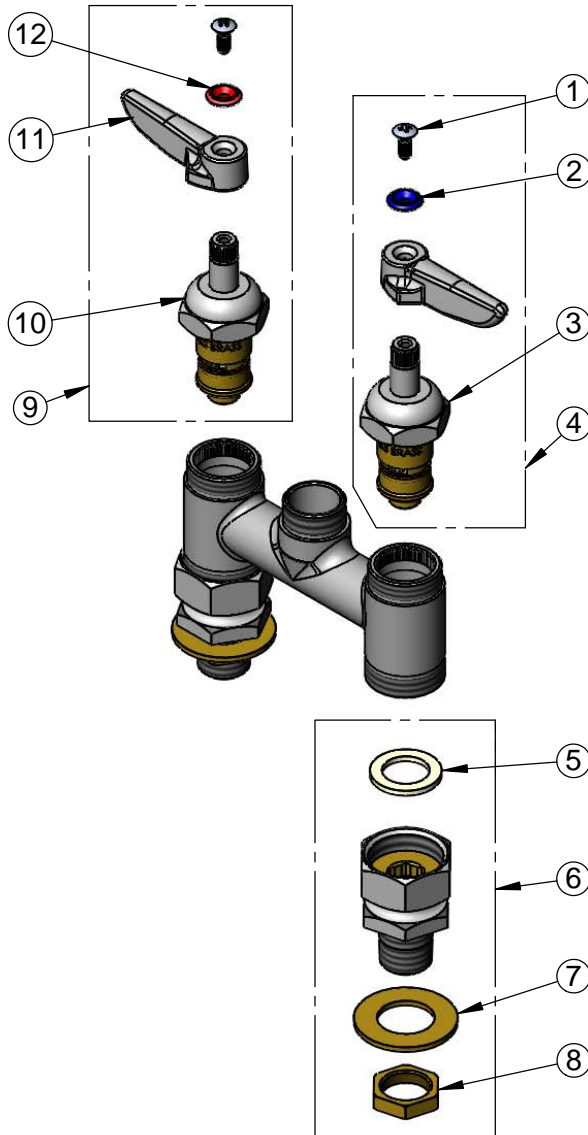
T&S BRASS AND BRONZE WORKS, INC.
 2 Saddleback Cove / P.O. Box 1088
 Travelers Rest, SC 29690

Model No.
B-0225-LN-CC-CR

Item No.

Travelers Rest, SC: 800-476-4103 • Simi Valley, CA: 800-423-0150 • Fax: 864-834-3518 • www.tsbrass.com

ITEM NO.	SALES NO.	DESCRIPTION
1	000922-45	Lever Handle Screw
2	001660-45	Blue Index-CW
3	011279-25	Quarter-Turn Cerama Cartridge, LTC
4	012445-25	Quarter-Turn Cerama Cartridge, LTC w/ Handle, Index & Screw
5	001019-45	Coupling Nut Washer
6	00CC	1/2" NPT Male Inlet Flange
7	000999-45	Brass Lock Washer
8	002954-45	Shank Lock Nut
9	012444-25	Quarter-Turn Cerama Cartridge, RTC w/ Handle, Index & Screw
10	011278-25	Quarter-Turn Cerama Cartridge, RTC
11	001638-45	Lever Handle
12	001661-45	Red Index-HW



Product Specifications:
 4" Deck Mount Mixing Faucet, Quarter-Turn Cerama Cartridges, Lever Handles & 1/2" NPT Male Inlets

Product Compliance:
 ASME A112.18.1 / CSA B125.1
 NSF 61 - Section 9
 NSF 372 (Low Lead Content)
 ANSI A117.1 (ADA)