



T&S BRASS AND BRONZE WORKS, INC.

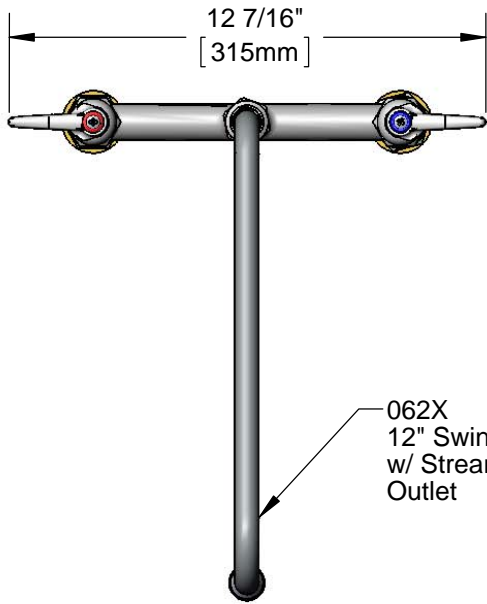
2 Saddleback Cove / P.O. Box 1088
Travelers Rest, SC 29690

Model No.

B-0221-CC-CR

Item No.

Travelers Rest, SC: 800-476-4103 • Simi Valley, CA: 800-423-0150 • Fax: 864-834-3518 • www.tsbrass.com



ADA Compliant

This Space for Architect/Engineer Approval

Job Name _____ Date _____

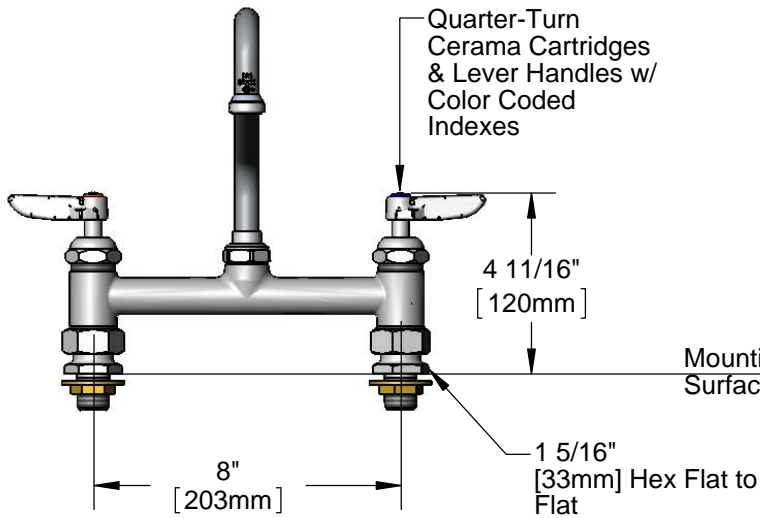
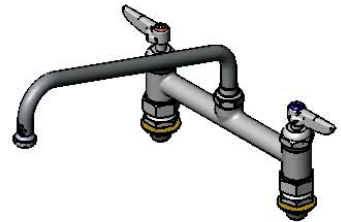
Model Specified _____ Quantity _____

Customer/Wholesaler _____

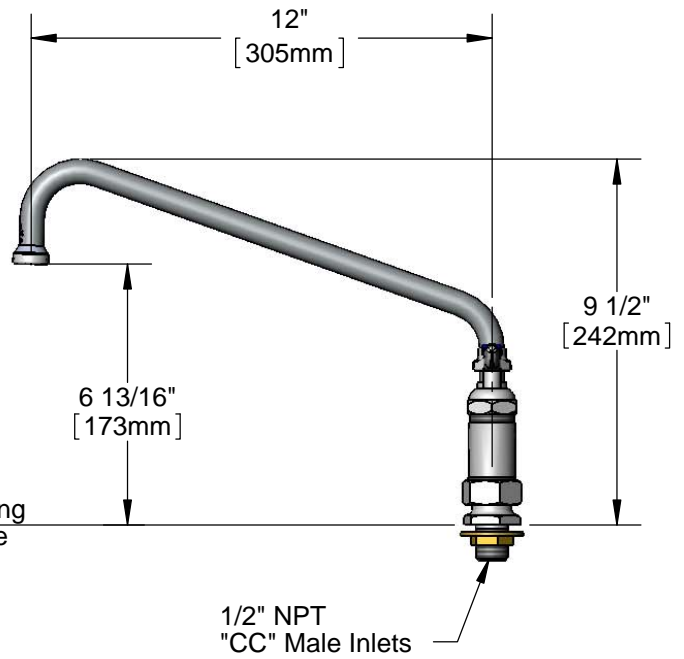
Contractor _____

Architect/Engineer _____

062X
12" Swing Nozzle
w/ Stream Regulator
Outlet



Quarter-Turn
Cerama Cartridges
& Lever Handles w/
Color Coded
Indexes



Rough-In Requirement:
(2) ϕ 1" [25mm] Mounting Holes

Product Specifications:
8" c/c Deck Mount Mixing Faucet w/ Cerama Cartridges,
Lever Handles, 12" Swing Nozzle w/ Stream Regulator
Outlet & 1/2" NPT "CC" Male Inlets

Product Compliance:
ASME A112.18.1 / CSA B125.1
NSF 61 - Section 9
NSF 372 (Low Lead Content)
ANSI A117.1 (ADA)



T&S BRASS AND BRONZE WORKS, INC.

2 Saddleback Cove / P.O. Box 1088
Travelers Rest, SC 29690

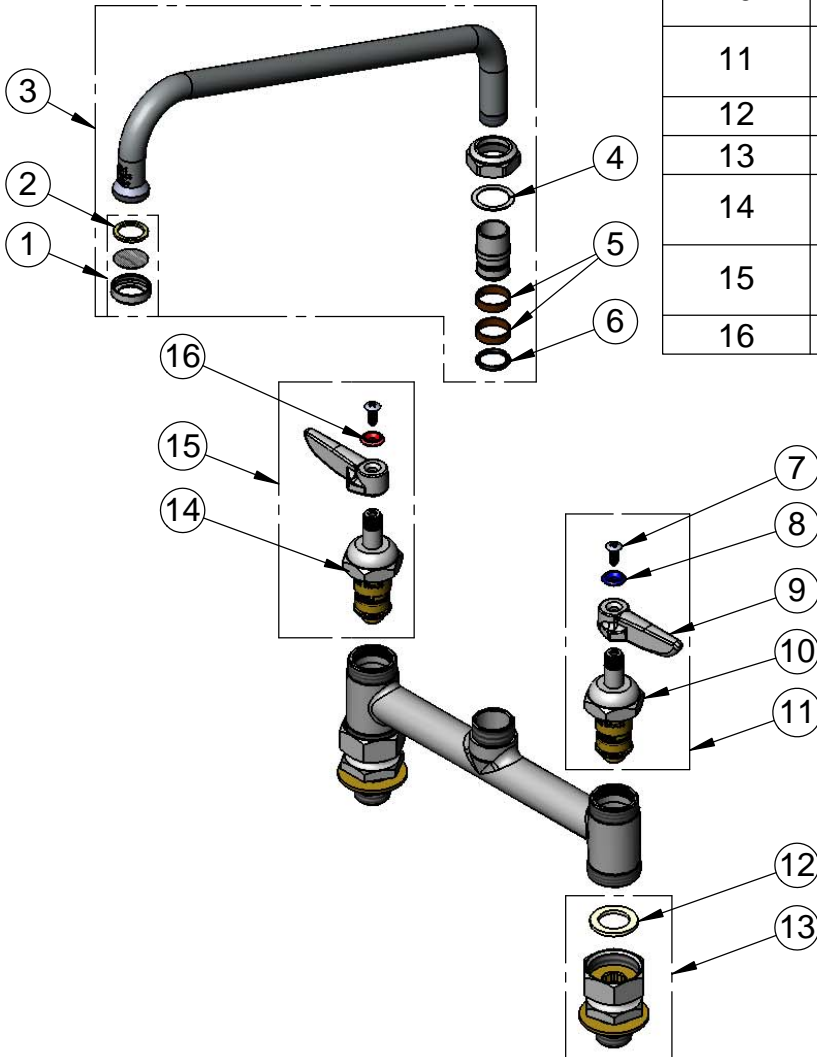
Model No.

B-0221-CC-CR

Item No.

Travelers Rest, SC: 800-476-4103 • Simi Valley, CA: 800-423-0150 • Fax: 864-834-3518 • www.tsbrass.com

ITEM NO.	SALES NO.	DESCRIPTION
1	B-PT	Stream Regulator Outlet
2	001048-45	Nozzle Tip Washer
3	062X	12" Swing Nozzle w/ Stream Regulator Outlet
4	009538-45	Swivel Washer
5	011429-45	Swivel Sleeves (2)
6	001074-45	O-Ring
7	000922-45	Lever Handle Screw
8	001660-45	Blue Index-CW
9	001638-45	Lever Handle
10	011279-25	Cerama Cartridge LTC
11	012445-25	Quarter-Turn Cerama Cartridge, LTC w/ Handle, Index & Screw
12	001019-45	Coupling Nut Washer
13	00CC	Male Inlet, 1/2" NPT
14	011278-25	Quarter-Turn Cerama Cartridge, RTC
15	012444-25	Quarter-Turn Cerama Cartridge, RTC w/ Handle, Index & Screw
16	001661-45	Red Index-HW



Product Specifications:

8" c/c Deck Mount Mixing Faucet w/ Cerama Cartridges, Lever Handles, 12" Swing Nozzle w/ Stream Regulator Outlet & 1/2" NPT "CC" Male Inlets

Product Compliance:

ASME A112.18.1 / CSA B125.1
NSF 61 - Section 9
NSF 372 (Low Lead Content)
ANSI A117.1 (ADA)