



T&S BRASS AND BRONZE WORKS, INC.

2 Saddleback Cove / P.O. Box 1088
Travelers Rest, SC 29690

Model No.

B-0220-LNCC

Item No.

Travelers Rest, SC: 800-476-4103 • Simi Valley, CA: 800-423-0150 • Fax: 864-834-3518 • www.tsbrass.com



ADA Compliant

This Space for Architect/Engineer Approval

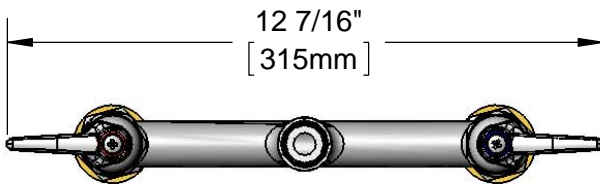
Job Name _____ Date _____

Model Specified _____ Quantity _____

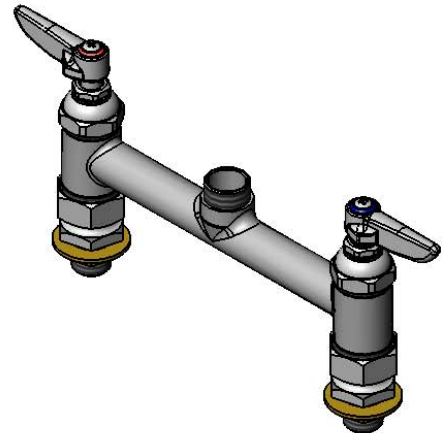
Customer/Wholesaler _____

Contractor _____

Architect/Engineer _____

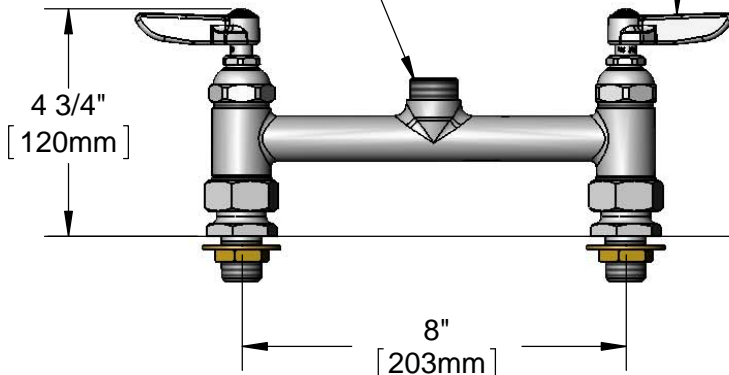


12 7/16"
[315mm]



Swivel Outlet Accepts
Standard T&S Swing Nozzles

Eterna Cartridges &
Lever Handles w/
Color Coded Indexes



4 3/4"
[120mm]

8"
[203mm]
Adjustable From
7 3/4" to 8 1/4"
[197mm to 210mm]

Mounting Surface

1/2" NPT
"CC" Male Inlets
w/ 1 5/8" Hex

Product Specifications:

8" Deck Mount Mixing Faucet, Eterna Cartridges, Lever Handles & 1/2" NPT "CC" Male Inlets, Less Nozzle

Product Compliance:

ASME A112.18.1 / CSA B125.1
NSF 61 - Section 9
NSF 372 (Low Lead Content)
ANSI A117.1 (ADA)



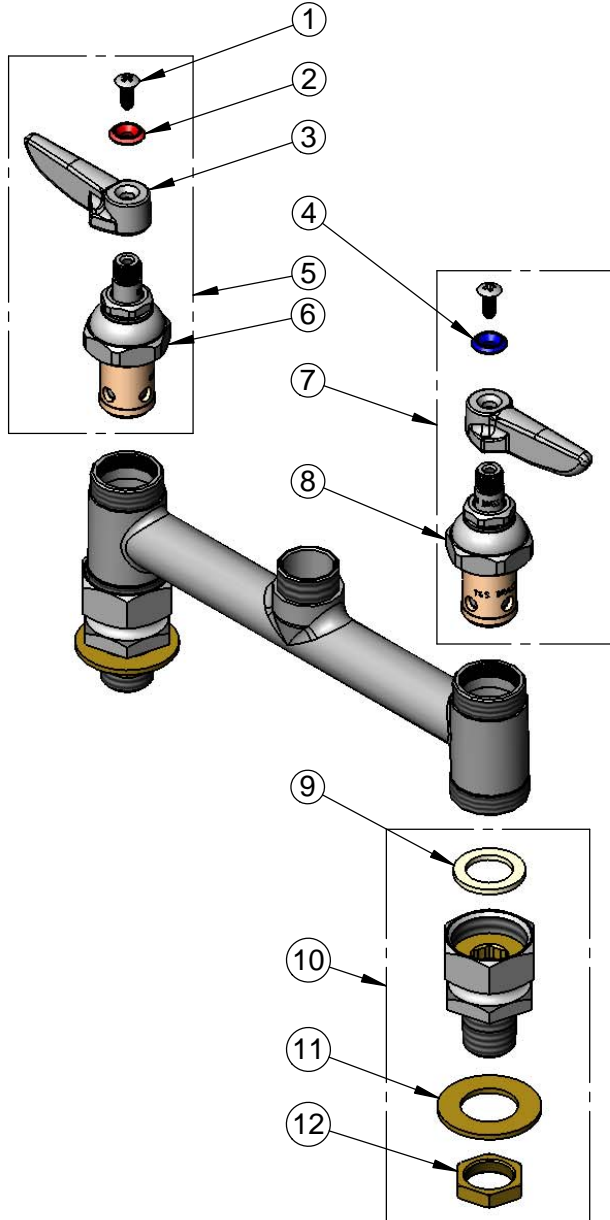
T&S BRASS AND BRONZE WORKS, INC.
 2 Saddleback Cove / P.O. Box 1088
 Travelers Rest, SC 29690

Model No.
B-0220-LNCC

Item No.

Travelers Rest, SC: 800-476-4103 • Simi Valley, CA: 800-423-0150 • Fax: 864-834-3518 • www.tsbrass.com

ITEM NO.	SALES NO.	DESCRIPTION
1	000922-45	Lever Handle Screw
2	001661-45	Red Index-HW
3	001638-45	Lever Handle
4	001660-45	Blue Index-CW
5	002714-40	Quarter-Turn Eterna Cartridge, RTC w/ Handle, Index & Screw
6	005960-40	Eterna Cartridge, RTC
7	002713-40	Quarter-Turn Eterna Cartridge, LTC w/ Handle, Index & Screw
8	005959-40	Eterna Cartridge, LTC
9	001019-45	Coupling Nut Washer
10	00CC	1/2" NPT Male Inlet Flange
11	000999-45	Brass Lock Washer
12	002954-45	Shank Lock Nut



Product Specifications:
 8" Deck Mount Mixing Faucet, Eterna Cartridges, Lever Handles & 1/2" NPT "CC" Male Inlets, Less Nozzle

Product Compliance:
 ASME A112.18.1 / CSA B125.1
 NSF 61 - Section 9
 NSF 372 (Low Lead Content)
 ANSI A117.1 (ADA)