



**T&S BRASS AND BRONZE WORKS, INC.**  
 2 Saddleback Cove / P.O. Box 1088  
 Travelers Rest, SC 29690

Model No.  
**B-0220-CR-LN**

Item No.

Travelers Rest, SC: 800-476-4103 • Simi Valley, CA: 800-423-0150 • Fax: 864-834-3518 • www.tsbrass.com



**ADA Compliant**

This Space for Architect/Engineer Approval

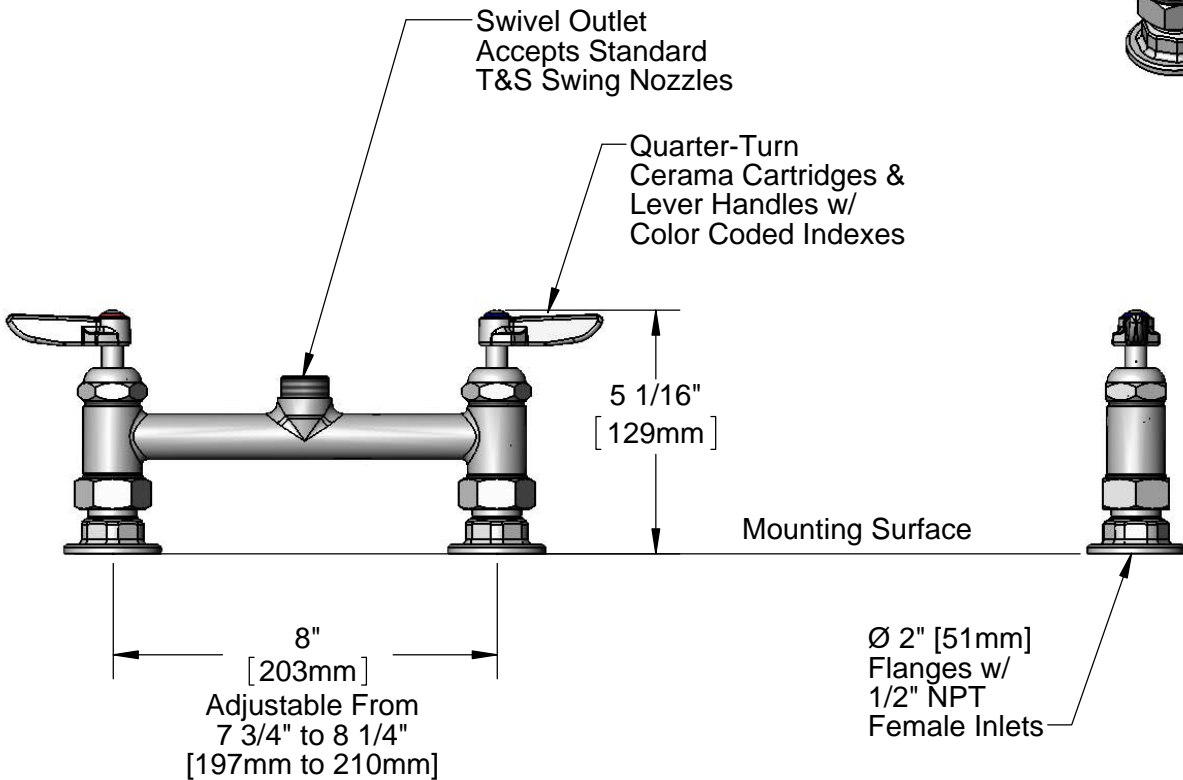
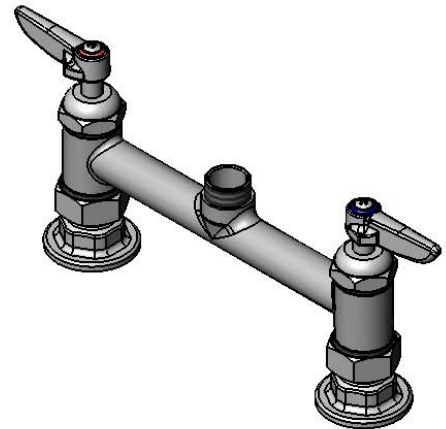
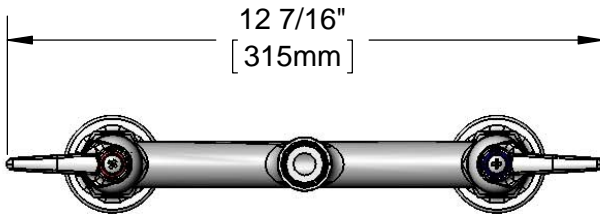
Job Name \_\_\_\_\_ Date \_\_\_\_\_

Model Specified \_\_\_\_\_ Quantity \_\_\_\_\_

Customer/Wholesaler \_\_\_\_\_

Contractor \_\_\_\_\_

Architect/Engineer \_\_\_\_\_



Product Specifications:  
 8" Deck Mount Mixing Faucet, Quarter-Turn Cerama Cartridges, Lever Handles & 1/2" NPT Female Inlets, Less Nozzle

Product Compliance:  
 ASME A112.18.1 / CSA B125.1  
 NSF 61 - Section 9  
 NSF 372 (Low Lead Content)  
 ANSI A117.1 (ADA)



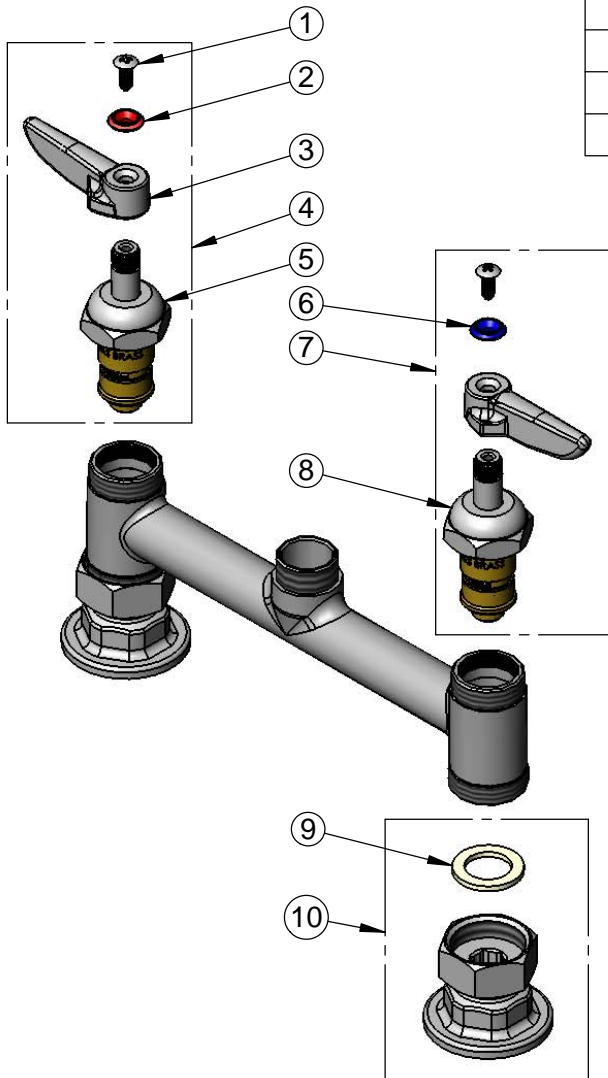
**T&S BRASS AND BRONZE WORKS, INC.**  
 2 Saddleback Cove / P.O. Box 1088  
 Travelers Rest, SC 29690

Model No.  
**B-0220-CR-LN**

Item No.

Travelers Rest, SC: 800-476-4103 • Simi Valley, CA: 800-423-0150 • Fax: 864-834-3518 • www.tsbrass.com

| ITEM NO. | SALES NO. | DESCRIPTION   |
|----------|-----------|---|
| 1        | 000922-45 | Lever Handle Screw  |
| 2        | 001661-45 | Red Index-HW  |
| 3        | 001638-45 | Lever Handle  |
| 4        | 012444-25 | Quarter-Turn Cerama Cartridge, RTC w/ Handle, Index & Screw |
| 5        | 011278-25 | Quarter-Turn Cerama Cartridge, RTC                          |
| 6        | 001660-45 | Blue Index-CW   |
| 7        | 012445-25 | Quarter-Turn Cerama Cartridge, LTC w/ Handle, Index & Screw |
| 8        | 011279-25 | Quarter-Turn Cerama Cartridge, LTC                          |
| 9        | 001019-45 | Coupling Nut Washer   |
| 10       | 00AA      | 1/2" NPT Flange Assembly                                    |



Product Specifications:  
 8" Deck Mount Mixing Faucet, Quarter-Turn Cerama Cartridges, Lever Handles & 1/2" NPT Female Inlets, Less Nozzle

Product Compliance:  
 ASME A112.18.1 / CSA B125.1  
 NSF 61 - Section 9  
 NSF 372 (Low Lead Content)  
 ANSI A117.1 (ADA)