



**T&S BRASS AND BRONZE WORKS, INC.**  
 2 Saddleback Cove / P.O. Box 1088  
 Travelers Rest, SC 29690

Model No.  
**B-0220-061X-WH4**

Item No.

Travelers Rest, SC: 800-476-4103 • Simi Valley, CA: 800-423-0150 • Fax: 864-834-3518 • www.tsbrass.com



**ADA Compliant**

This Space for Architect/Engineer Approval

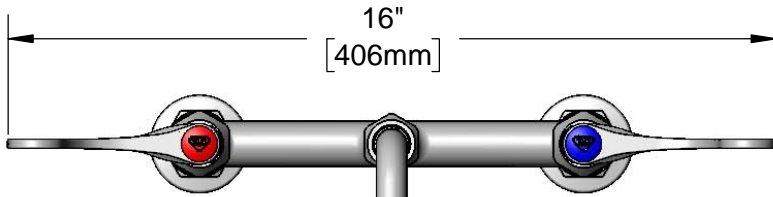
Job Name \_\_\_\_\_ Date \_\_\_\_\_

Model Specified \_\_\_\_\_ Quantity \_\_\_\_\_

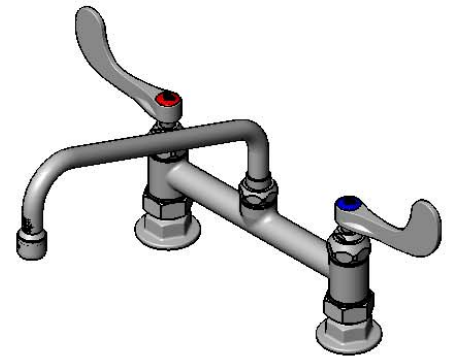
Customer/Wholesaler \_\_\_\_\_

Contractor \_\_\_\_\_

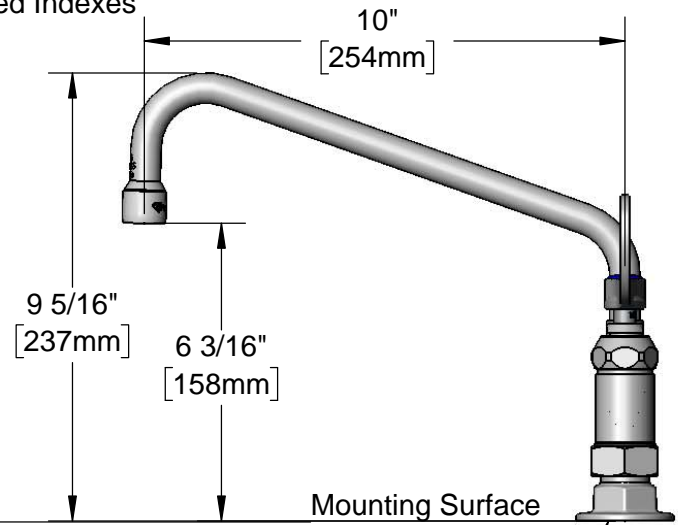
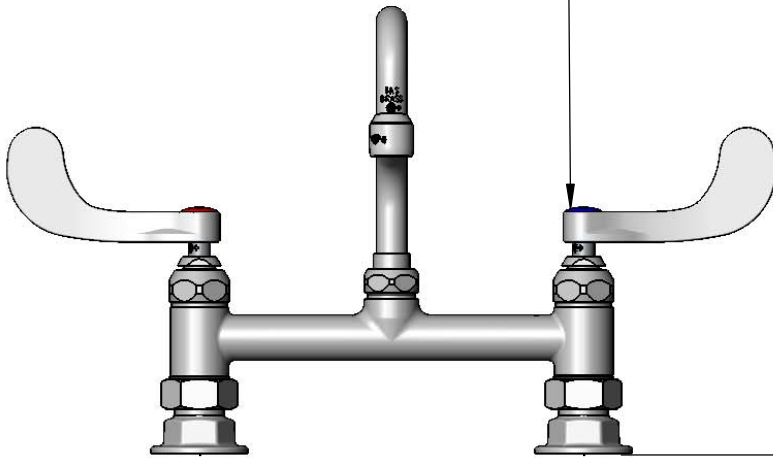
Architect/Engineer \_\_\_\_\_



061X  
 10" Swing Nozzle w/  
 Stream Regulator  
 Outlet.  
 Rigid Conversion  
 Requires  
 014200-45 Lock Washer  
 (Included)



Quarter-Turn  
 Eterna Cartridges w/  
 Spring Checks &  
 4" Wrist Action  
 Handles  
 w/ Color Coded  
 Indexes



8"  
 [203mm]  
 Adjustable From  
 7 3/4" to 8 1/4"  
 [197mm to 210mm]

Mounting Surface

Ø 2" [51mm]  
 Flanges w/  
 1/2" NPT  
 Female Inlets

**Product Specifications:**

8" Deck Mount Mixing Faucet, Quarter-Turn Eterna Cartridges w/ Spring Checks, 10" Swing Nozzle w/ Stream Regulator Outlet, 4" Wrist Action Handles & 1/2" NPT Female Inlets

**Product Compliance:**

ASME A112.18.1 / CSA B125.1  
 NSF 61 - Section 9  
 NSF 372 (Low Lead Content)  
 ANSI A117.1 (ADA)



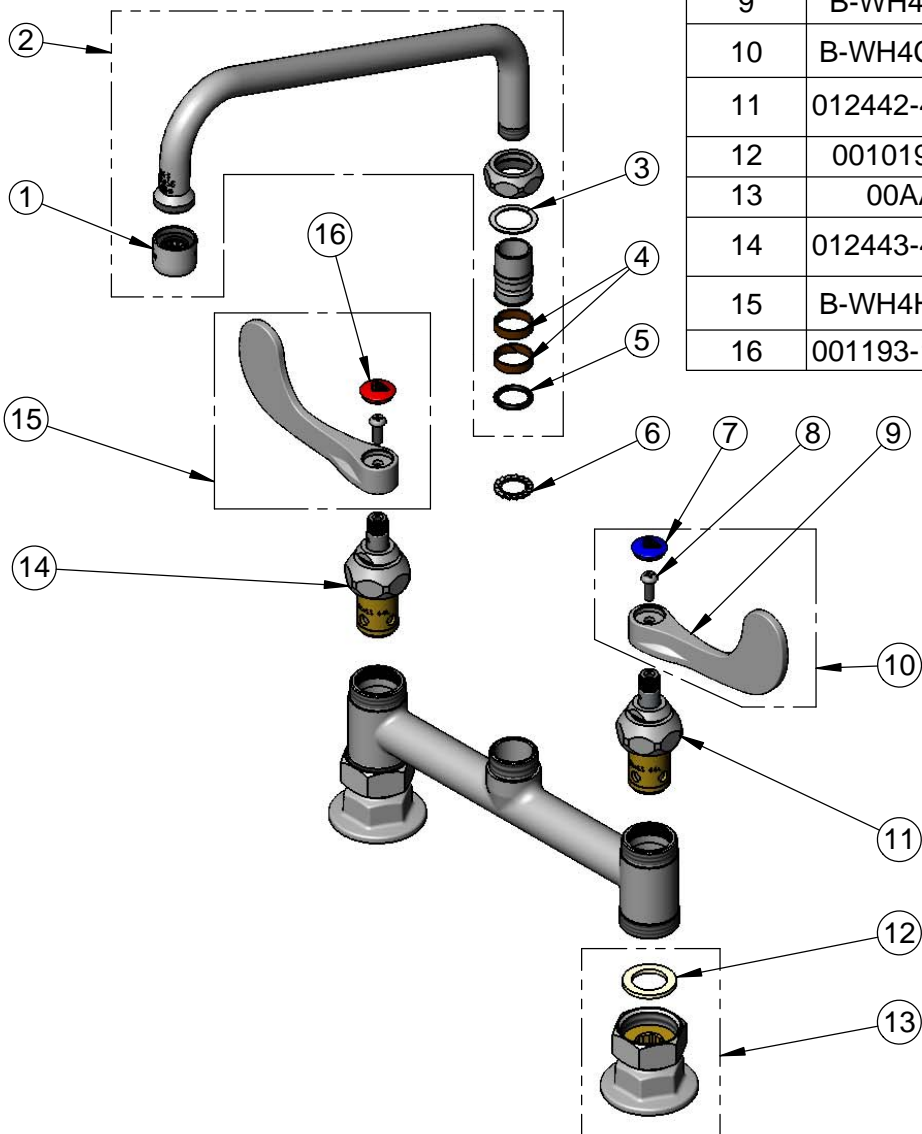
**T&S BRASS AND BRONZE WORKS, INC.**  
 2 Saddleback Cove / P.O. Box 1088  
 Travelers Rest, SC 29690

Model No.  
**B-0220-061X-WH4**

Item No.

Travelers Rest, SC: 800-476-4103 • Simi Valley, CA: 800-423-0150 • Fax: 864-834-3518 • www.tsbrass.com

| ITEM NO. | SALES NO.   | DESCRIPTION  |
|----------|-------------|--|
| 1        | B-PT        | Stream Regulator Outlet                            |
| 2        | 061X        | 10" Swing Nozzle w/ Stream Regulator Outlet        |
| 3        | 009538-45   | Swivel Washer                                      |
| 4        | 011429-45   | Swivel Sleeves (2)                                 |
| 5        | 001074-45   | O-ring   |
| 6        | 014200-45   | Star Washer, Anti-Rotation                         |
| 7        | 018506-19NS | Blue Button Index, Press-in                        |
| 8        | 000925-45   | Lab Handle Screw                                   |
| 9        | B-WH4-NS    | Wrist Action Handle (New Style)                    |
| 10       | B-WH4C-NS   | Wrist Action Handle, Blue Index & Screw            |
| 11       | 012442-40NS | Quarter-Turn Eterna Cartridge w/ Spring Check, LTC |
| 12       | 001019-45   | Coupling Nut Washer                                |
| 13       | 00AA        | 1/2" NPT Female Eccentric Flange                   |
| 14       | 012443-40NS | Quarter-Turn Eterna Cartridge w/ Spring Check, RTC |
| 15       | B-WH4H-NS   | Wrist Action Handle, Red Index & Screw             |
| 16       | 001193-19NS | Red Button Index, Press-in                         |



Product Specifications:  
 8" Deck Mount Mixing Faucet, Quarter-Turn Eterna Cartridges w/ Spring Checks, 10" Swing Nozzle w/ Stream Regulator Outlet, 4" Wrist Action Handles & 1/2" NPT Female Inlets

Product Compliance:  
 ASME A112.18.1 / CSA B125.1  
 NSF 61 - Section 9  
 NSF 372 (Low Lead Content)  
 ANSI A117.1 (ADA)