



# T&S BRASS AND BRONZE WORKS, INC.

2 Saddleback Cove / P.O. Box 1088  
Travelers Rest, SC 29690

Model No.

**B-0212-F05**

Item No.

Travelers Rest, SC: 800-476-4103 • Simi Valley, CA: 800-423-0150 • Fax: 864-834-3518 • www.tsbrass.com



**ADA Compliant**

This Space for Architect/Engineer Approval

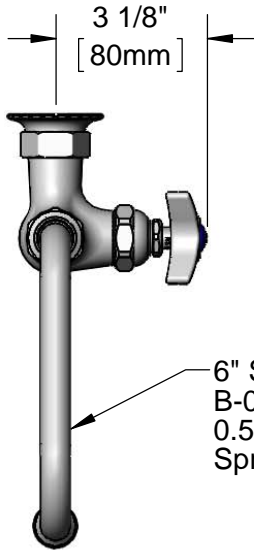
Job Name \_\_\_\_\_ Date \_\_\_\_\_

Model Specified \_\_\_\_\_ Quantity \_\_\_\_\_

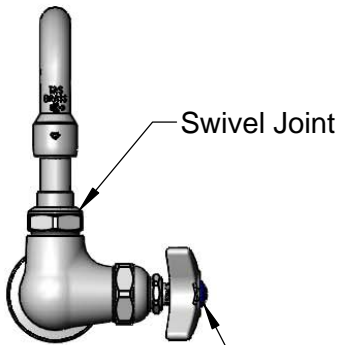
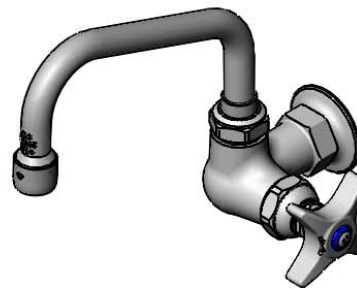
Customer/Wholesaler \_\_\_\_\_

Contractor \_\_\_\_\_

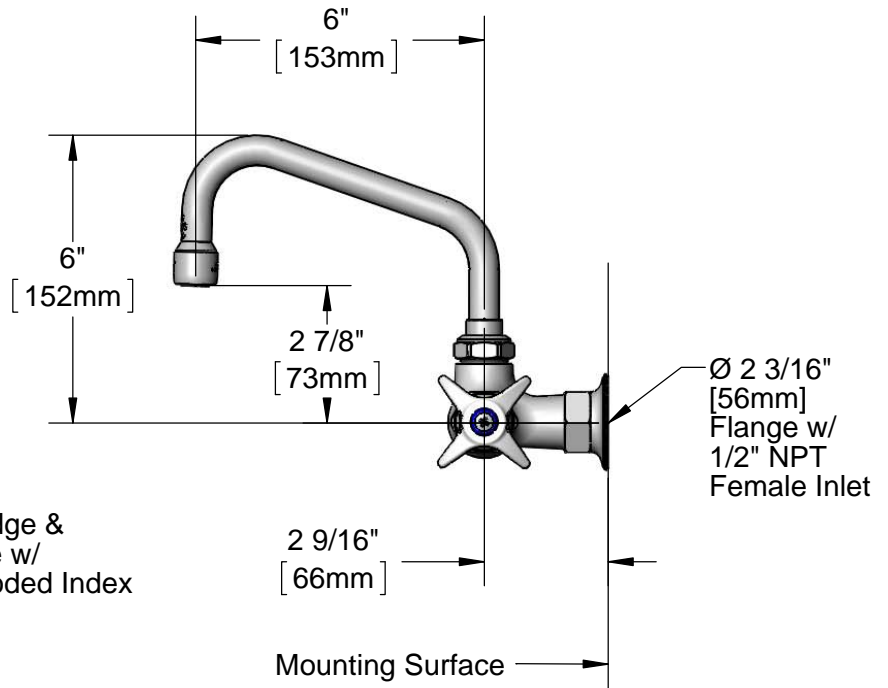
Architect/Engineer \_\_\_\_\_



6" Swing Nozzle w/  
B-0199-01-N05  
0.5 GPM Non-Aerated  
Spray Device Outlet



Eterna Cartridge &  
4-Arm Handle w/  
Blue Color Coded Index



**Product Specifications:**

Single Hole Single Temperature Wall Mount Faucet, 4-Arm Handle, Eterna Cartridge, 6" Swing Nozzle, 0.5 Non-Aerated Spray Device & 1/2" NPT Female Inlet

**Product Compliance:**

ASME A112.18.1 / CSA B125.1  
NSF 61 - Section 9  
NSF 372 (Low Lead Content)  
ANSI A117.1 (ADA)

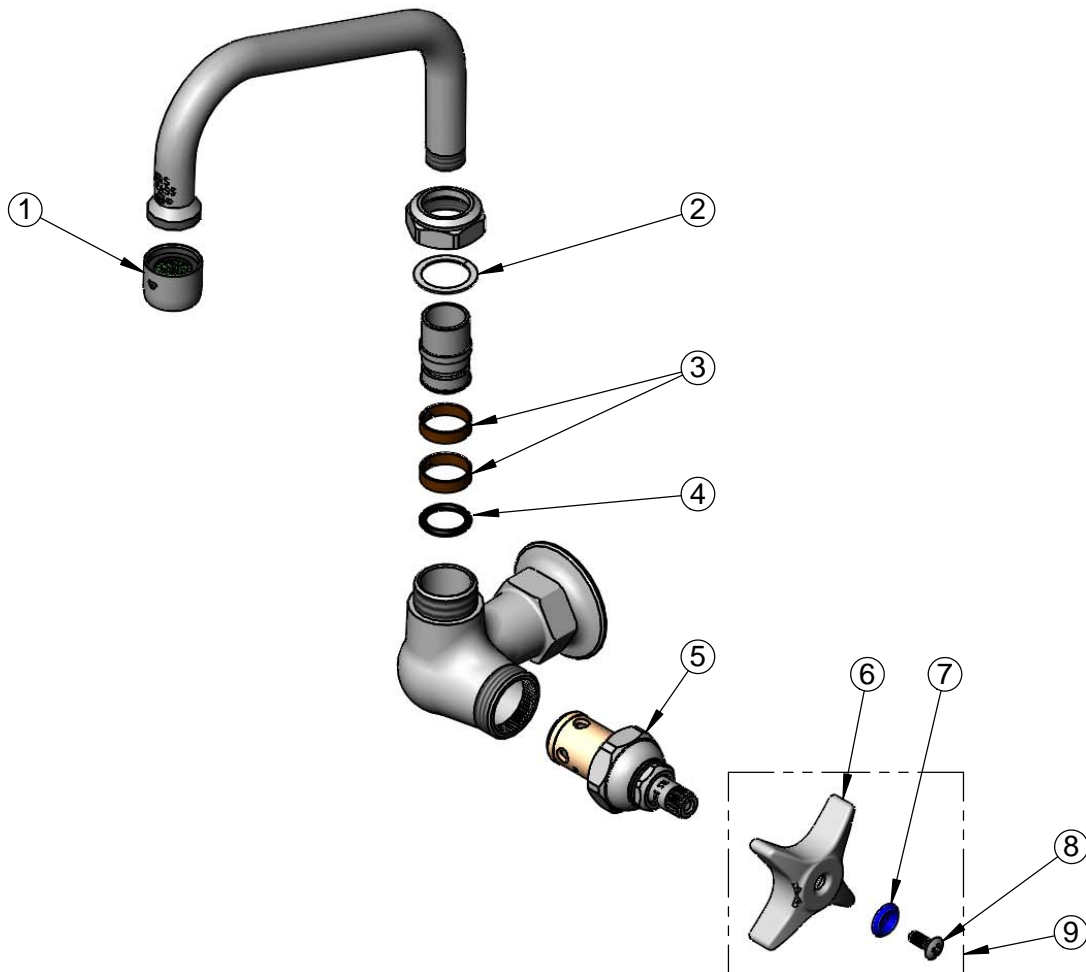


**T&S BRASS AND BRONZE WORKS, INC.**  
 2 Saddleback Cove / P.O. Box 1088  
 Travelers Rest, SC 29690

Model No.  
**B-0212-F05**  
 Item No.

Travelers Rest, SC: 800-476-4103 • Simi Valley, CA: 800-423-0150 • Fax: 864-834-3518 • www.tsbrass.com

ITEM NO.	SALES NO.	DESCRIPTION
1	B-0199-01-N05	0.5 GPM Spray Device, 55/64-27 Female
2	009538-45	Swivel Washer
3	011429-45	Swivel Sleeves (2)
4	001074-45	O-Ring
5	005960-40	Eterna Cartridge, RTC
6	002521-45	4-Arm Handle
7	001660-45	Blue Index-CW
8	000922-45	Lever Handle Screw
9	175FC	4-Arm Handle w/ Blue Index & Screw



**Product Specifications:**

Single Hole Single Temperature Wall Mount Faucet, 4-Arm Handle, Eterna Cartridge, 6" Swing Nozzle, 0.5 Non-Aerated Spray Device & 1/2" NPT Female Inlet

**Product Compliance:**

ASME A112.18.1 / CSA B125.1  
 NSF 61 - Section 9  
 NSF 372 (Low Lead Content)  
 ANSI A117.1 (ADA)