



# T&S BRASS AND BRONZE WORKS, INC.

2 Saddleback Cove / P.O. Box 1088  
Travelers Rest, SC 29690

Model No.

**B-0208-CR**

Item No.

Travelers Rest, SC: 800-476-4103 • Simi Valley, CA: 800-423-0150 • Fax: 864-834-3518 • www.tsbrass.com



**ADA Compliant**

This Space for Architect/Engineer Approval

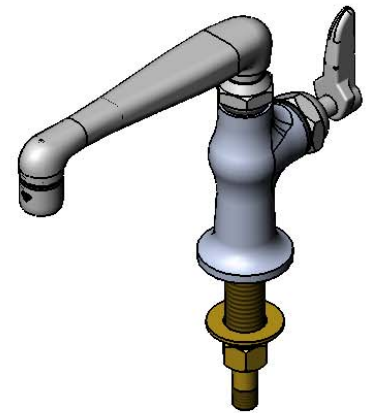
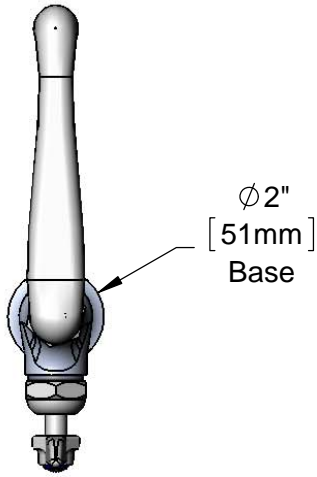
Job Name \_\_\_\_\_ Date \_\_\_\_\_

Model Specified \_\_\_\_\_ Quantity \_\_\_\_\_

Customer/Wholesaler \_\_\_\_\_

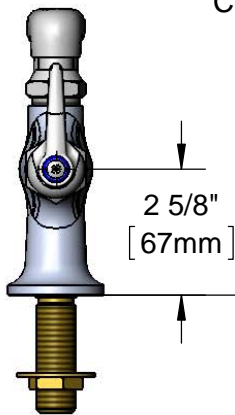
Contractor \_\_\_\_\_

Architect/Engineer \_\_\_\_\_



OCS6  
Swing Spout w/  
2.2 GPM Aerator

Quarter-Turn  
Cerama Cartridge &  
Lever Handle w/  
Color Coded Index



Mounting Surface

150A  
1/4" NPT  
Male Tailpiece

6"  
[152mm]

5 15/16"  
[151mm]

4 5/16"  
[110mm]

1 5/8"  
[41mm]  
Maximum  
Thickness

Rough in Requirement:  
Ø 1" [ Ø 25mm] Mounting Hole

**Product Specifications:**

Single Temperature Deck Mount Faucet w/ 1/2" NPSM  
Male Shank, Cerama Cartridge, Lever Handle & 6" Cast  
Spout w/ 2.2 GPM Aerator

**Product Compliance:**

ASME A112.18.1 / CSA B125.1  
NSF 61 - Section 9  
NSF 372 (Low Lead Content)  
ANSI A117.1 (ADA)



# T&S BRASS AND BRONZE WORKS, INC.

2 Saddleback Cove / P.O. Box 1088  
Travelers Rest, SC 29690

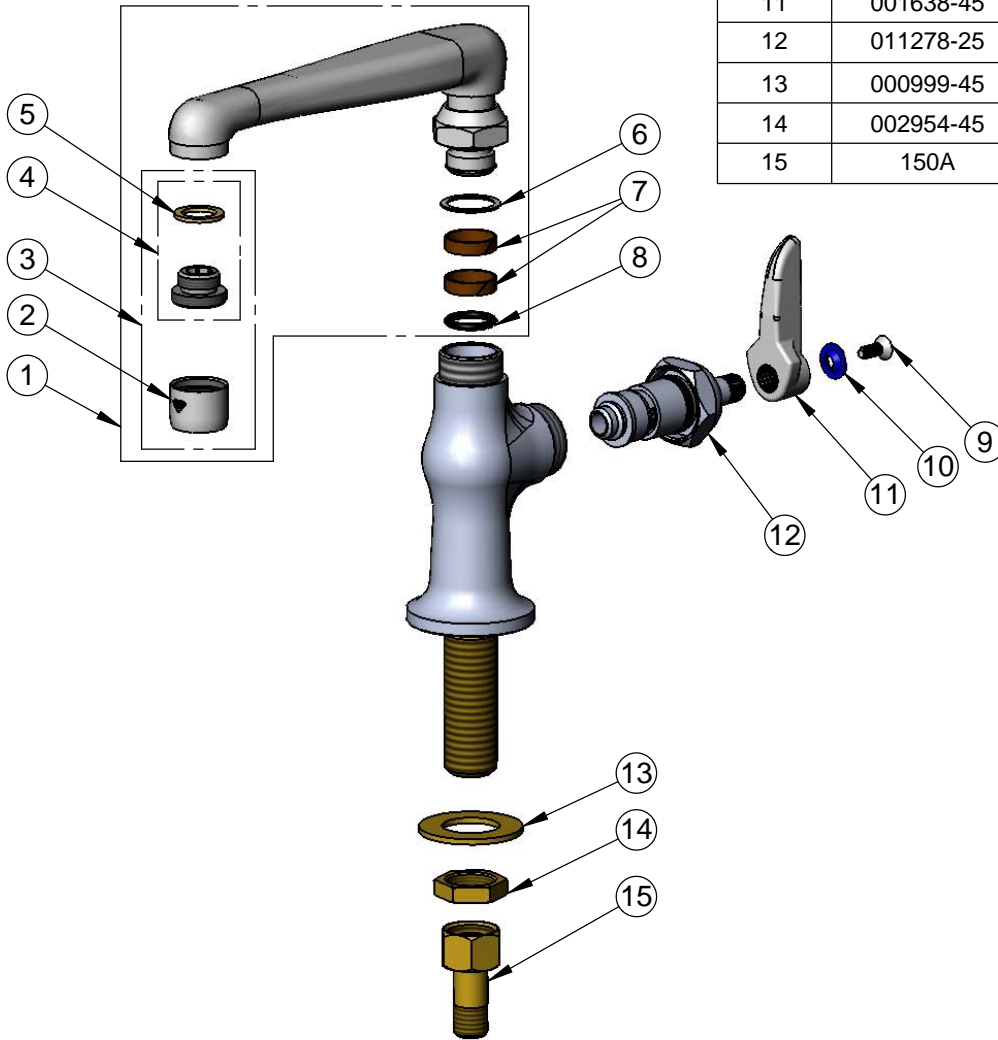
Model No.

**B-0208-CR**

Item No.

Travelers Rest, SC: 800-476-4103 • Simi Valley, CA: 800-423-0150 • Fax: 864-834-3518 • www.tsbrass.com

ITEM NO.	SALES NO.	DESCRIPTION
1	OCS6	6" Cast Spout
2	B-0199-01	2.2 GPM Aerator, 55/64"-27 UN Female
3	B-0199-02	2.2 GPM Aerator w/ 3/8" NPT Male Thread Adapter
4	044A	3/8" to Aerator Adapter
5	001043-45	Washer
6	009647-45	Plastic Washer
7	011429-45	Swivel Sleeves (2)
8	001074-45	O-Ring
9	000922-45	Lever Handle Screw
10	001660-45	Blue Index-CW
11	001638-45	Lever Handle
12	011278-25	Quarter-Turn Cerama Cartridge, RTC
13	000999-45	Brass Lock Washer
14	002954-45	Shank Lock Nut
15	150A	1/4" NPT Tailpiece & Nut



**Product Specifications:**

Single Temperature Deck Mount Faucet w/ 1/2" NPSM Male Shank, Cerama Cartridge, Lever Handle & 6" Cast Spout w/ 2.2 GPM Aerator

**Product Compliance:**

ASME A112.18.1 / CSA B125.1  
NSF 61 - Section 9  
NSF 372 (Low Lead Content)  
ANSI A117.1 (ADA)