



T&S BRASS AND BRONZE WORKS, INC.
 2 Saddleback Cove / P.O. Box 1088
 Travelers Rest, SC 29690

Model No.
B-0208-CR-HW

Item No.

Travelers Rest, SC: 800-476-4103 • Simi Valley, CA: 800-423-0150 • Fax: 864-834-3518 • www.tsbrass.com



ADA Compliant

This Space for Architect/Engineer Approval

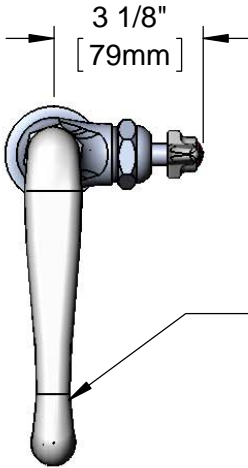
Job Name _____ Date _____

Model Specified _____ Quantity _____

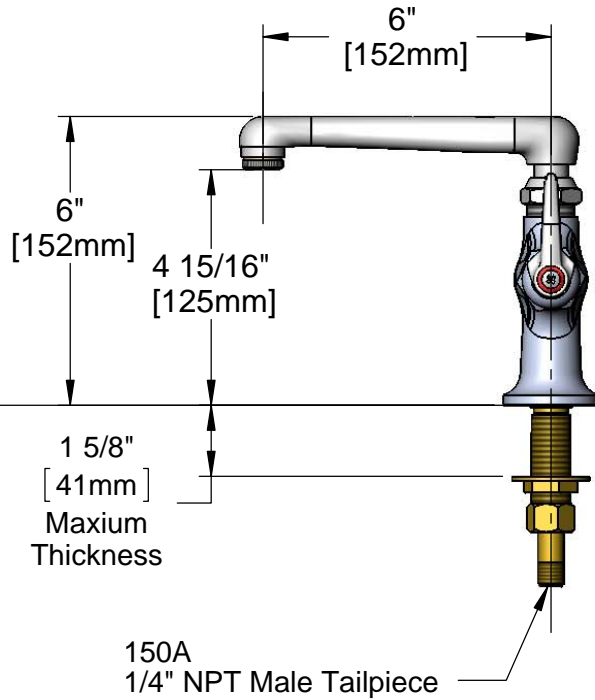
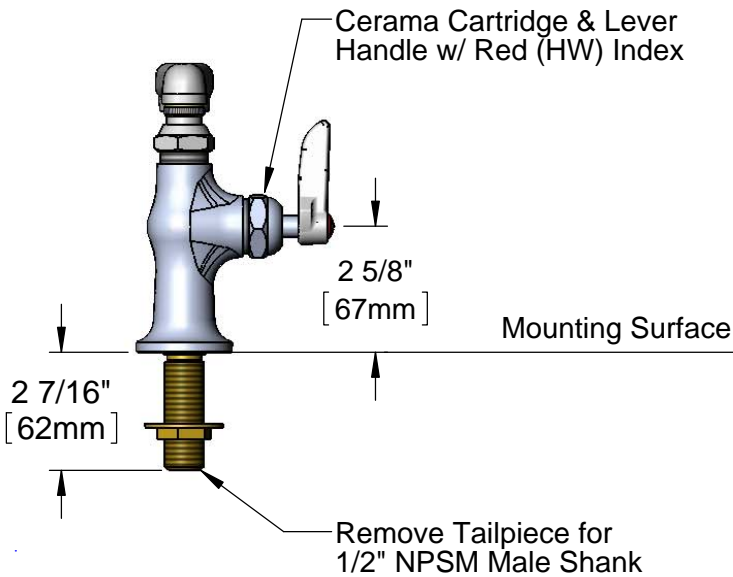
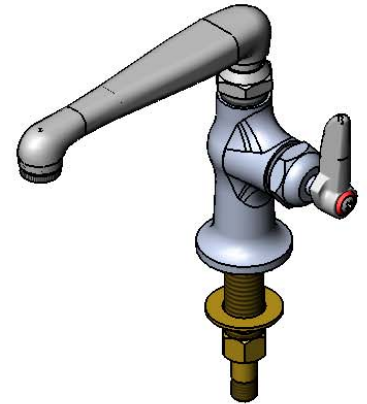
Customer/Wholesaler _____

Contractor _____

Architect/Engineer _____



0CS6-LT
 6" Swivel Cast Spout w/
 Stream Regulator Outlet
 (Optional Swivel/Rigid
 Washer Included)



Rough-In Requirement:
 Ø 1" [25mm] Mounting Hole

Product Specifications:
 Single Temperature Deck Mount Faucet w/ 1/2" NPSM Male
 Shank, Cerama Cartridge, Lever Handle w/ Red (HW) Index
 & 6" Cast Spout w/ Stream Regulator Outlet

Product Compliance:
 ASME A112.18.1 / CSA B125.1
 NSF 61 - Section 9
 NSF 372 (Low Lead Content)
 ANSI A117.1 (ADA)



T&S BRASS AND BRONZE WORKS, INC.

2 Saddleback Cove / P.O. Box 1088
Travelers Rest, SC 29690

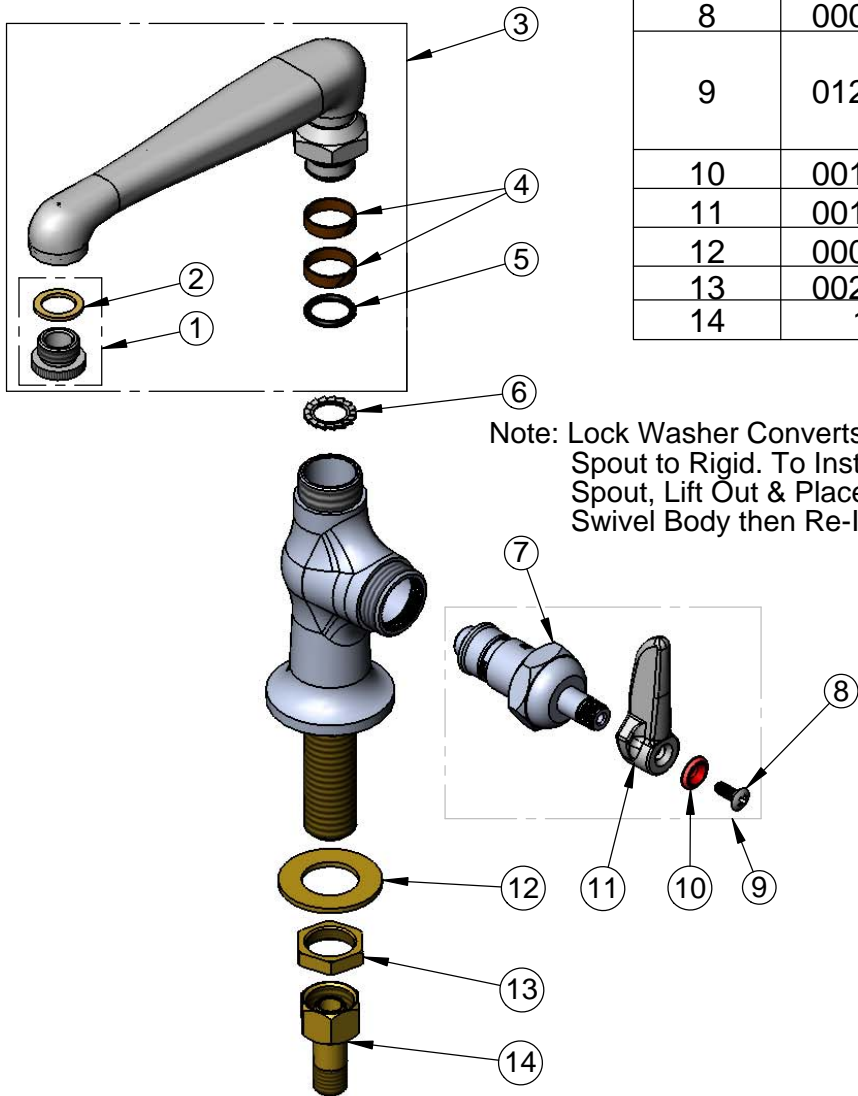
Model No.

B-0208-CR-HW

Item No.

Travelers Rest, SC: 800-476-4103 • Simi Valley, CA: 800-423-0150 • Fax: 864-834-3518 • www.tsbrass.com

ITEM NO.	SALES NO.	DESCRIPTION
1	B-LT	Stream Regulator Outlet
2	001043-45	Washer
3	0CS6-LT	6" Swivel Cast Spout w/ B-LT Stream Regulator Outlet
4	011429-45	Swivel Sleeves (2)
5	001074-45	O-Ring
6	014200-45	Star Washer, Anti-Rotation
7	011278-25	Cerama Cartridge, RTC
8	000922-45	Lever Handle Screw
9	012444-25	Quarter-Turn Cerama Cartridge, RTC w/ Handle, Index & Screw
10	001661-45	Red Index-HW
11	001638-45	Lever Handle
12	000999-45	Brass Lock Washer
13	002954-45	Shank Lock Nut
14	150A	1/4" NPT Tailpiece & Nut



Product Specifications:

Single Temperature Deck Mount Faucet w/ 1/2" NPSM Male Shank, Cerama Cartridge, Lever Handle w/ Red (HW) Index & 6" Cast Spout w/ Stream Regulator Outlet

Product Compliance:

ASME A112.18.1 / CSA B125.1
NSF 61 - Section 9
NSF 372 (Low Lead Content)
ANSI A117.1 (ADA)