



T&S BRASS AND BRONZE WORKS, INC.
 2 Saddleback Cove / P.O. Box 1088
 Travelers Rest, SC 29690

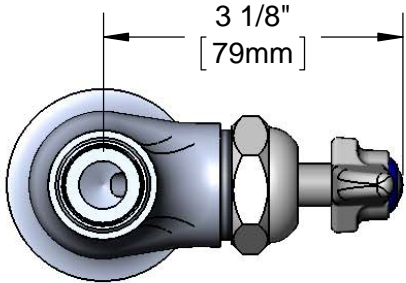
Model No.
B-0205-CR-LN

Item No.

Travelers Rest, SC: 800-476-4103 • Simi Valley, CA: 800-423-0150 • Fax: 864-834-3518 • www.tsbrass.com



ADA Compliant



This Space for Architect/Engineer Approval

Job Name _____ Date _____

Model Specified _____ Quantity _____

Customer/Wholesaler _____

Contractor _____

Architect/Engineer _____

Swivel Outlet Accepts
 Standard T&S Swing Nozzles

Quarter-Turn
 Cerama Cartridge &
 Lever Handle w/ Blue
 Color Coded Index



4 3/8"
 [111mm]

2 7/16"
 [62mm]

Ø 2" [51mm]
 Deck Flange w/
 1/2" NPSM Male
 Inlet

2 5/8"
 [67mm]

1 5/8"
 [41mm]
 Maximum
 Thickness

150A
 Optional Tailpiece
 and Nut
 For 1/4" NPT Connection
 (Included)

Rough-In Requirement:
 Ø 1" [25mm] Mounting Hole

Product Specifications:

Single Hole Single Temperature Deck Mount Faucet, Quarter-Turn
 Cerama Cartridge, Lever Handle & 1/2" NPSM Male Inlet, Less
 Nozzle

Product Compliance:

ASME A112.18.1 / CSA B125.1
 NSF 61 - Section 9
 NSF 372 (Low Lead Content)
 ANSI A117.1 (ADA)



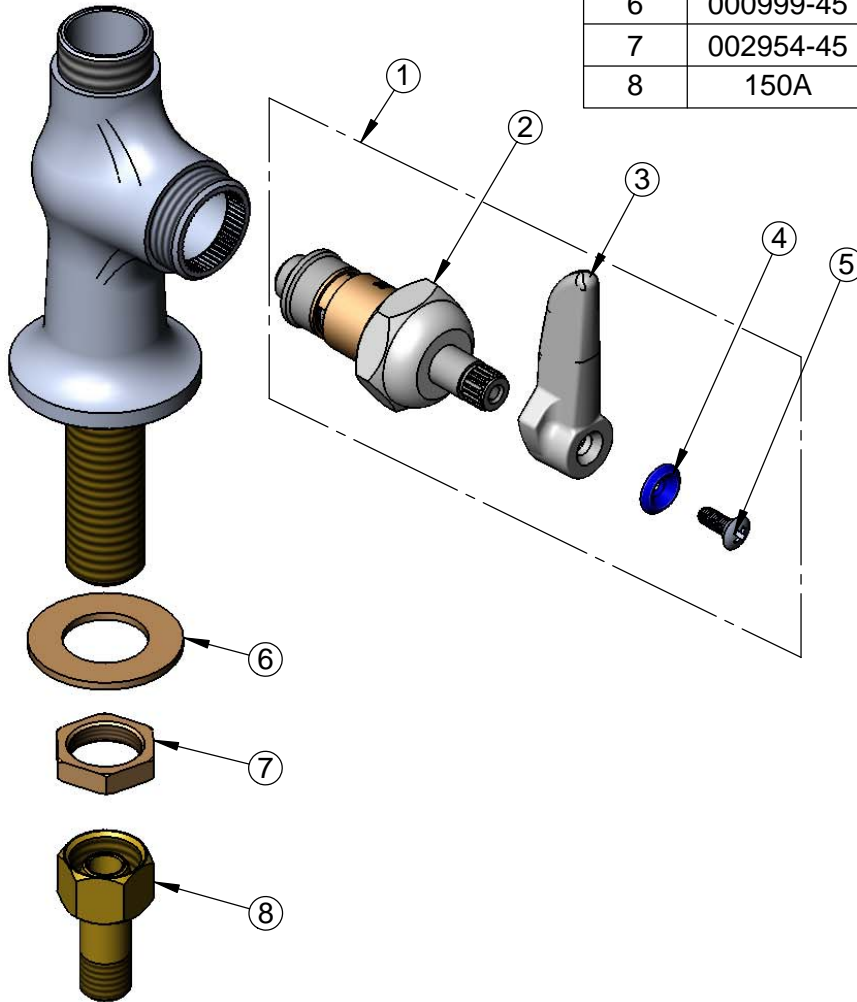
T&S BRASS AND BRONZE WORKS, INC.
 2 Saddleback Cove / P.O. Box 1088
 Travelers Rest, SC 29690

Model No.
B-0205-CR-LN

Item No.

Travelers Rest, SC: 800-476-4103 • Simi Valley, CA: 800-423-0150 • Fax: 864-834-3518 • www.tsbrass.com

| ITEM NO. | SALES NO. | DESCRIPTION |
|----------|-----------|---|
| 1 | 012444-25 | Quarter-Turn Cerama Cartridge, RTC w/ Handle, Index and Screw |
| 2 | 011278-25 | Quarter-Turn Cerama Cartridge, RTC |
| 3 | 001638-45 | Lever Handle |
| 4 | 001660-45 | Blue Index-CW |
| 5 | 000922-45 | Lever Handle Screw |
| 6 | 000999-45 | Brass Lock Washer |
| 7 | 002954-45 | Shank Lock Nut |
| 8 | 150A | 1/4" NPT Tailpiece & Nut |



Product Specifications:
 Single Hole Single Temperature Deck Mount Faucet, Quarter-Turn Cerama Cartridge, Lever Handle & 1/2" NPSM Male Inlet, Less Nozzle

Product Compliance:
 ASME A112.18.1 / CSA B125.1
 NSF 61 - Section 9
 NSF 372 (Low Lead Content)
 ANSI A117.1 (ADA)