



T&S BRASS AND BRONZE WORKS, INC.

2 Saddleback Cove / P.O. Box 1088
Travelers Rest, SC 29690

Model No.

B-0201

Item No.

Travelers Rest, SC: 800-476-4103 • Simi Valley, CA: 800-423-0150 • Fax: 864-834-3518 • www.tsbrass.com



ADA Compliant

This Space for Architect/Engineer Approval

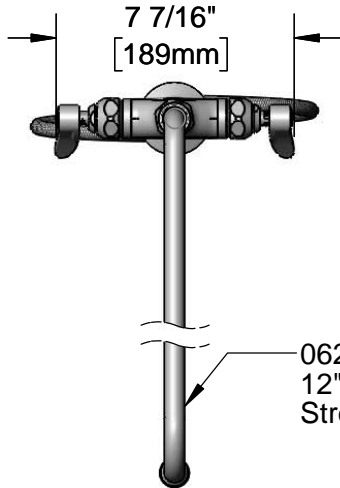
Job Name _____ Date _____

Model Specified _____ Quantity _____

Customer/Wholesaler _____

Contractor _____

Architect/Engineer _____



7 7/16"
[189mm]

062X
12" Swing Nozzle w/
Stream Regulator Outlet



Quarter-Turn
Eterna Cartridges
w/ Spring Checks
& Lever Handles
w/ Color Coded
Indexes

Swivel
Joint

2 5/16"
[58mm]

10 3/16"
[259mm]

7 1/16"
[180mm]

Mounting
Surface

Ø 2 1/4" [57mm] Flange w/
Ø 1 1/8" [29mm] Shank

1 3/8"
[35mm]
Maximum
Thickness

18" Flexible
Stainless Steel
Supply Hoses

Compression Fittings
for 5/8" O.D. Copper Tubing
(Remove Compression Nut
for 1/2" NPSM Male)

Rough-In Requirement:
Ø 1 1/2" [38mm] Mounting Hole

Product Specifications:

Single Hole Deck Mount Mixing Faucet, Quarter-Turn Eterna Cartridges w/ Spring Checks, Lever Handles, 12" Swing Nozzle & 18" Flexible Stainless Steel Supply Hoses w/ 1/2" NPSM Male Inlets

Product Compliance:

ASME A112.18.1 / CSA B125.1
NSF 61 - Section 9
NSF 372 (Low Lead Content)
ANSI A117.1 (ADA)

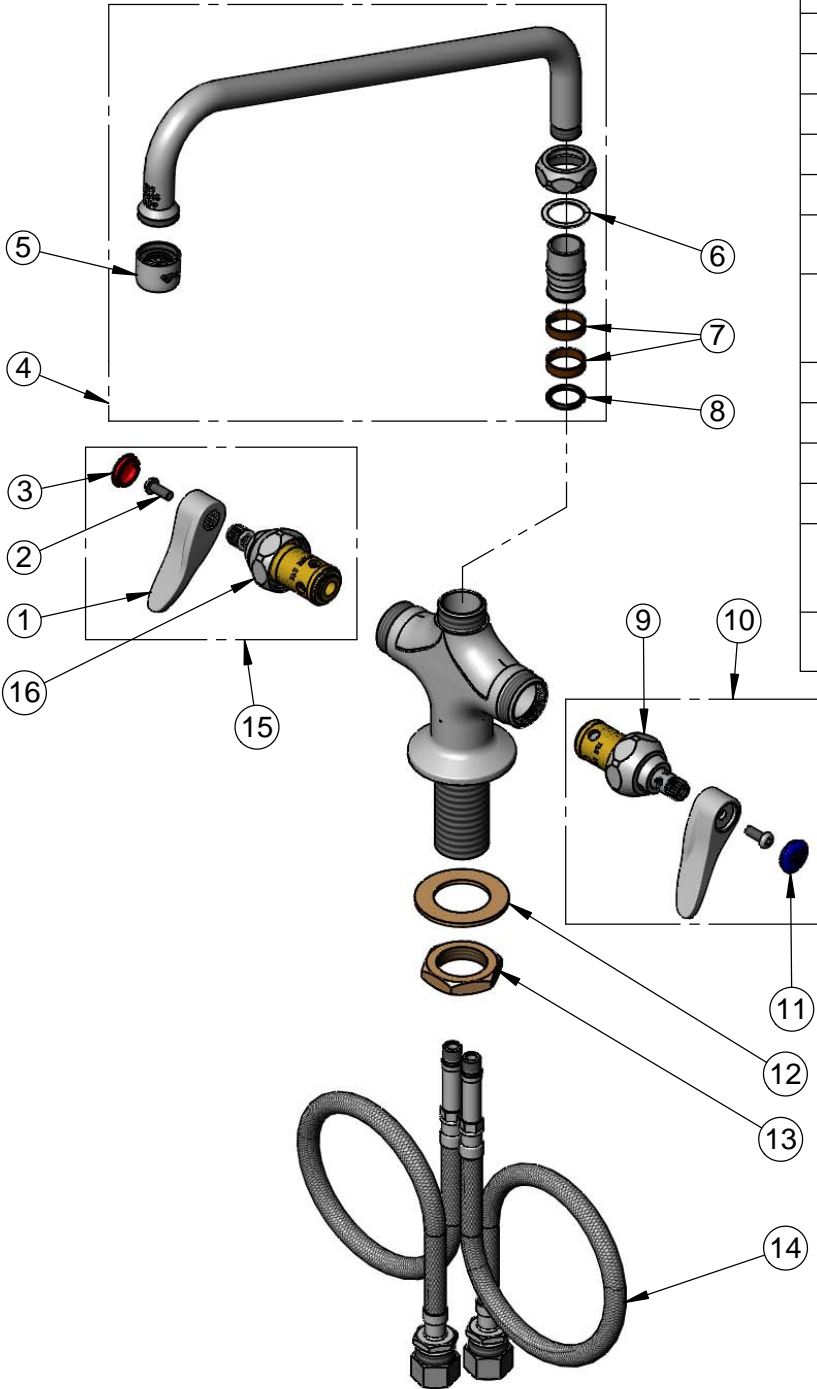


T&S BRASS AND BRONZE WORKS, INC.
 2 Saddleback Cove / P.O. Box 1088
 Travelers Rest, SC 29690

Model No.
B-0201

Item No.

Travelers Rest, SC: 800-476-4103 • Simi Valley, CA: 800-423-0150 • Fax: 864-834-3518 • www.tsbrass.com



| ITEM NO. | SALES NO. | DESCRIPTION |
|----------|-------------|--|
| 1 | 001638-45NS | Lever Handle (New Style) |
| 2 | 000925-45 | Lab Handle Screw |
| 3 | 001193-19NS | Red Button Index, Press-in |
| 4 | 062X | 12" Swing Nozzle |
| 5 | B-PT | Full Flow Stream Regulator |
| 6 | 009538-45 | Swivel Washer |
| 7 | 011429-45 | Swivel Sleeves (2) |
| 8 | 001074-45 | O-Ring |
| 9 | 012442-40NS | Quarter-Turn Eterna Cartridge w/ Spring Check, LTC |
| 10 | 002711-40NS | Quarter-Turn Eterna Cartridge w/ Spring Check, Handle, Blue Index & Screw, LTC |
| 11 | 018506-19NS | Blue Button Index, Press-in |
| 12 | 002290-45 | Lock Washer |
| 13 | 000965-45 | Lock Nut |
| 14 | 012534-45 | 18" Flexible Supply Hose (2) |
| 15 | 002712-40NS | Quarter-Turn Eterna Cartridge w/ Spring Check, Handle, Red Index & Screw, RTC |
| 16 | 012443-40NS | Quarter-Turn Eterna Cartridge w/ Spring Check, RTC |

Product Specifications:
 Single Hole Deck Mount Mixing Faucet, Quarter-Turn Eterna Cartridges w/ Spring Checks, Lever Handles, 12" Swing Nozzle & 18" Flexible Stainless Steel Supply Hoses w/ 1/2" NPSM Male Inlets

Product Compliance:
 ASME A112.18.1 / CSA B125.1
 NSF 61 - Section 9
 NSF 372 (Low Lead Content)
 ANSI A117.1 (ADA)