



# T&S BRASS AND BRONZE WORKS, INC.

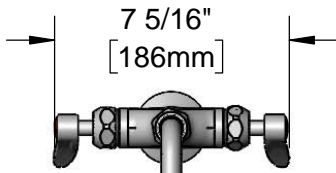
2 Saddleback Cove / P.O. Box 1088  
Travelers Rest, SC 29690

Model No.

**B-0201-CR**

Item No.

Travelers Rest, SC: 800-476-4103 • Simi Valley, CA: 800-423-0150 • Fax: 864-834-3518 • www.tsbrass.com



7 5/16"  
[186mm]



**ADA Compliant**

This Space for Architect/Engineer Approval

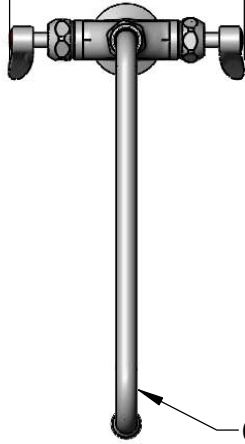
Job Name \_\_\_\_\_ Date \_\_\_\_\_

Model Specified \_\_\_\_\_ Quantity \_\_\_\_\_

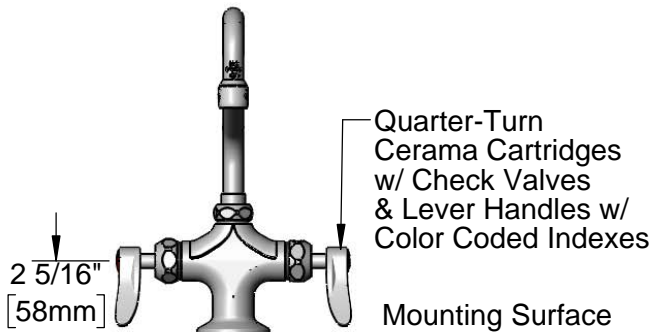
Customer/Wholesaler \_\_\_\_\_

Contractor \_\_\_\_\_

Architect/Engineer \_\_\_\_\_



062X  
12" Swing Nozzle w/  
Stream Regulator Outlet



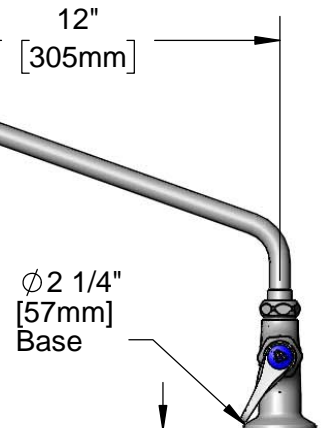
2 5/16"  
[58mm]

Quarter-Turn  
Cerama Cartridges  
w/ Check Valves  
& Lever Handles w/  
Color Coded Indexes

Mounting Surface

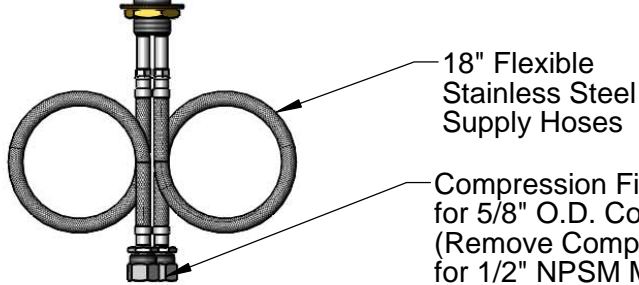
10 3/16"  
[259mm]

7 1/16"  
[180mm]



12"  
[305mm]

Ø 2 1/4"  
[57mm]  
Base



18" Flexible  
Stainless Steel  
Supply Hoses

Compression Fittings  
for 5/8" O.D. Copper Tubing  
(Remove Compression Nut  
for 1/2" NPSM Male)

1 3/8"  
[35mm]  
Maximum  
Thickness

Rough-In Requirement:  
Ø 1 1/2" [38mm] Mounting Hole

**Product Specifications:**

Single Hole, Deck Mount, Mixing Faucet w/ Quarter-Turn Cerama Cartridges w/ Check Valves, Lever Handles, 12" Swing Nozzle, Stream Regulator Outlet & 18" Flexible Stainless Steel Supply Hoses w/ 1/2" NPSM Male Inlets

**Product Compliance:**

ASME A112.18.1 / CSA B125.1  
NSF 61 - Section 9  
NSF 372 (Low Lead Content)  
ANSI A117.1 (ADA)



# T&S BRASS AND BRONZE WORKS, INC.

2 Saddleback Cove / P.O. Box 1088  
Travelers Rest, SC 29690

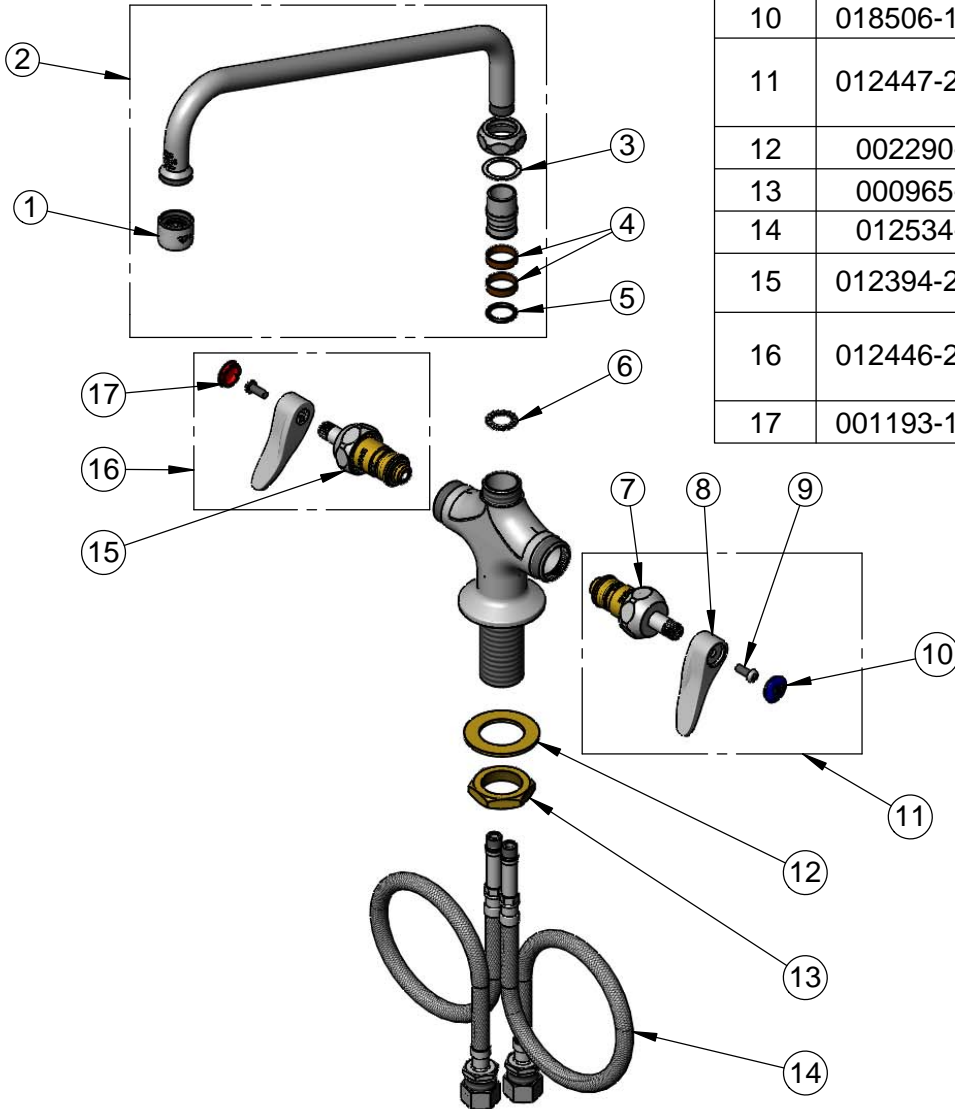
Model No.

**B-0201-CR**

Item No.

Travelers Rest, SC: 800-476-4103 • Simi Valley, CA: 800-423-0150 • Fax: 864-834-3518 • www.tsbrass.com

ITEM NO.	SALES NO.	DESCRIPTION
1	B-PT	Full Flow Stream Regulator
2	062X	
3	009538-45	Swivel Washer
4	011429-45	Swivel Sleeves (2)
5	001074-45	O-Ring
6	014200-45	Star Washer, Anti-Rotation
7	012395-25NS	Quarter-Turn Cerama Cartridge, RTC
8	001638-45NS	Lever Handle (New Style)
9	000925-45	Lab Handle Screw
10	018506-19NS	Blue Button Index, Press-in
11	012447-25NS	Quarter-Turn Cerama Cartridge w/ Check Valve, Handle, Blue Index & Screw, LTC
12	002290-45	Lock Washer
13	000965-45	Lock Nut
14	012534-45	18" Flexible Supply Hose (2)
15	012394-25NS	Quarter-Turn Cerama Cartridge w/ Check Valve, RTC
16	012446-25NS	Quarter-Turn Cerama Cartridge w/ Check Valve, Handle, Red Index & Screw, RTC
17	001193-19NS	Red Button Index, Press-in



**Product Specifications:**

Single Hole, Deck Mount, Mixing Faucet w/ Quarter-Turn Cerama Cartridges w/ Check Valves, Lever Handles, 12" Swing Nozzle, Stream Regulator Outlet & 18" Flexible Stainless Steel Supply Hoses w/ 1/2" NPSM Male Inlets

**Product Compliance:**

ASME A112.18.1 / CSA B125.1  
NSF 61 - Section 9  
NSF 372 (Low Lead Content)  
ANSI A117.1 (ADA)