



T&S BRASS AND BRONZE WORKS, INC.

2 Saddleback Cove / P.O. Box 1088
Travelers Rest, SC 29690

Model No.

B-0201-01

Item No.

Travelers Rest, SC: 800-476-4103 • Simi Valley, CA: 800-423-0150 • Fax: 864-834-3518 • www.tsbrass.com



ADA Compliant

This Space for Architect/Engineer Approval

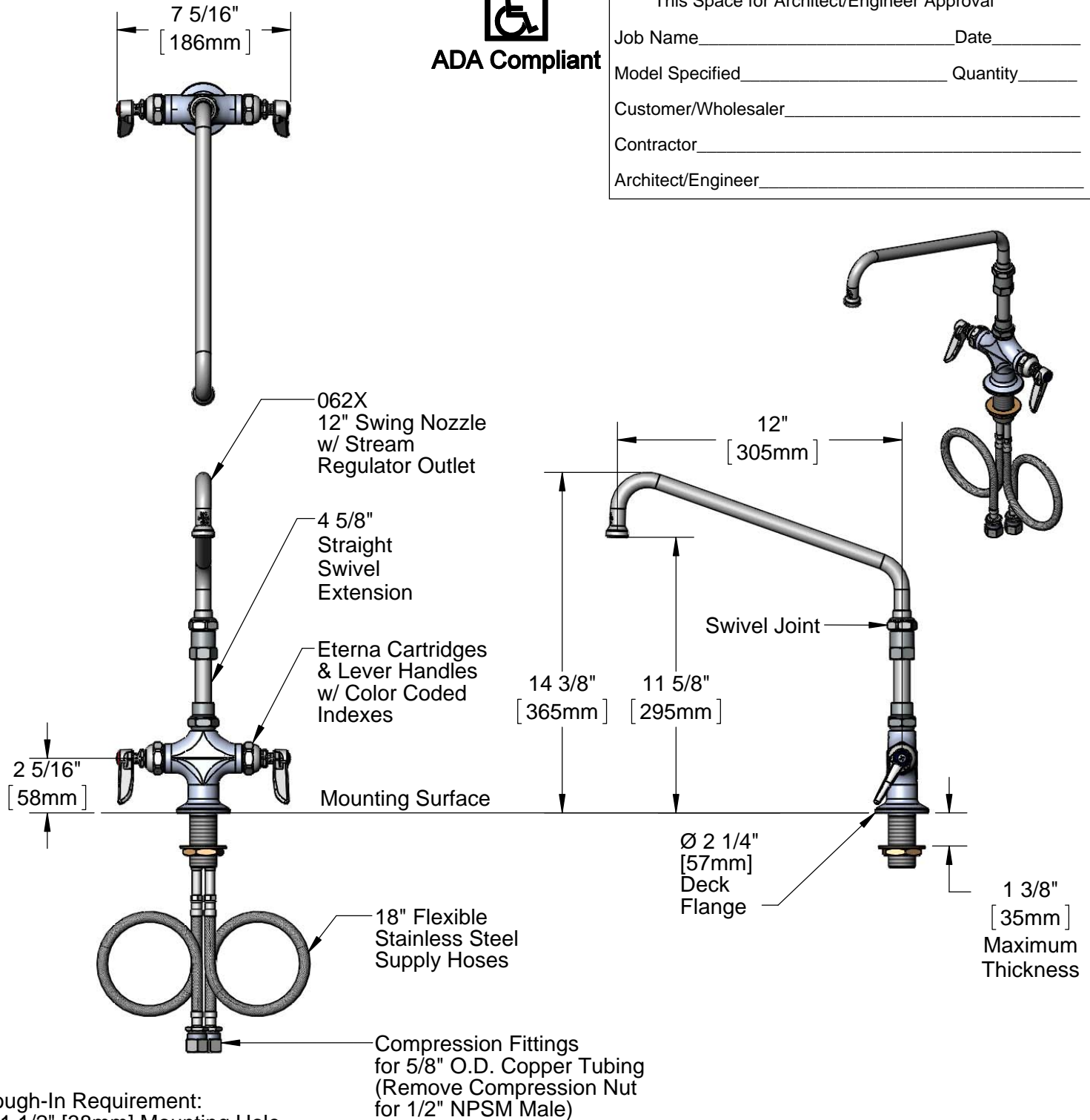
Job Name _____ Date _____

Model Specified _____ Quantity _____

Customer/Wholesaler _____

Contractor _____

Architect/Engineer _____



Rough-In Requirement:
Ø 1 1/2" [38mm] Mounting Hole

Product Specifications:

Single Hole Deck Mount Mixing Faucet, Eterna Cartridges, Lever Handles, 12" Swing Nozzle w/ Stream Regulator Outlet, 4 5/8" Extension & 18" Flexible Stainless Steel Supply Hoses w/ 1/2" NPT Male Inlets

Product Compliance:

ASME A112.18.1 / CSA B125.1
NSF 61 - Section 9
NSF 372 (Low Lead Content)
ANSI A117.1 (ADA)



T&S BRASS AND BRONZE WORKS, INC.

2 Saddleback Cove / P.O. Box 1088
Travelers Rest, SC 29690

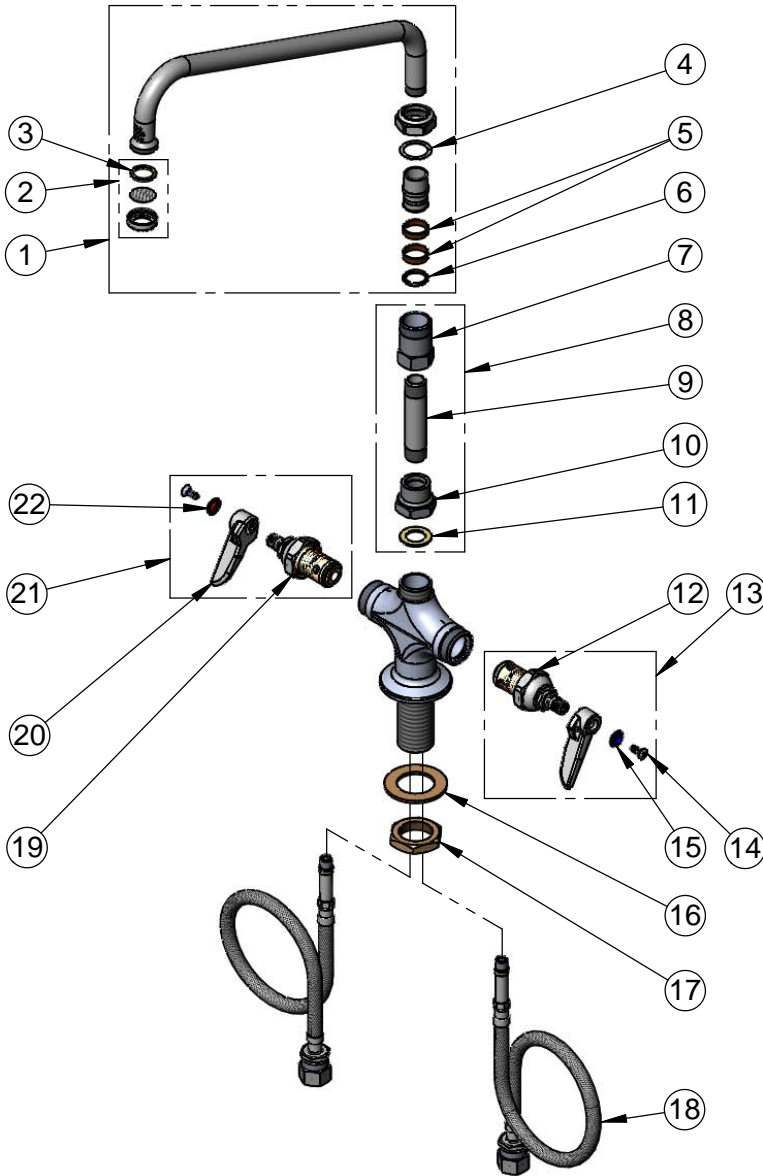
Model No.

B-0201-01

Item No.

Travelers Rest, SC: 800-476-4103 • Simi Valley, CA: 800-423-0150 • Fax: 864-834-3518 • www.tsbrass.com

ITEM NO.	SALES NO.	DESCRIPTION
1	062X	12" Swing Nozzle
2	B-PT	Stream Regulator Outlet
3	001048-45	Nozzle Tip Washer
4	009538-45	Swivel Washer
5	011429-45	Swivel Sleeves (2)
6	001074-45	O-Ring
7	054X	Swivel Body
8	B-1912-11	4 5/8" Straight Swivel Extension
9	000358-40	Nipple, 3/8" NPT x 3"
10	B-0413	Adapter, Swivel to Rigid
11	001049-45	Washer
12	005959-40	Eterna Cartridge, LTC
13	002713-40	Eterna Cartridge, LTC w/ Handle, Index & Screw
14	000922-45	Lever Handle Screw
15	001660-45	Blue Index-CW
16	002290-45	Lock Washer
17	000965-45	Lock Nut
18	012534-45	18" Flexible Supply Hose (2)
19	005960-40	Eterna Cartridge, RTC
20	001638-45	Lever Handle
21	002714-40	Eterna Cartridge, RTC w/ Handle, Index & Screw
22	001661-45	Red Index-HW



Product Specifications:

Single Hole Deck Mount Mixing Faucet, Eterna Cartridges, Lever Handles, 12" Swing Nozzle w/ Stream Regulator Outlet, 4 5/8" Extension & 18" Flexible Stainless Steel Supply Hoses w/ 1/2" NPT Male Inlets

Product Compliance:

ASME A112.18.1 / CSA B125.1
NSF 61 - Section 9
NSF 372 (Low Lead Content)
ANSI A117.1 (ADA)