



T&S BRASS AND BRONZE WORKS, INC.

2 Saddleback Cove / P.O. Box 1088
Travelers Rest, SC 29690

Model No.

B-0198-F Series

Item No.

Travelers Rest, SC: 800-476-4103 • Simi Valley, CA: 800-423-0150 • Fax: 864-834-3518 • www.tsbrass.com

This Space for Architect/Engineer Approval

Job Name _____ Date _____

Model Specified _____ Quantity _____

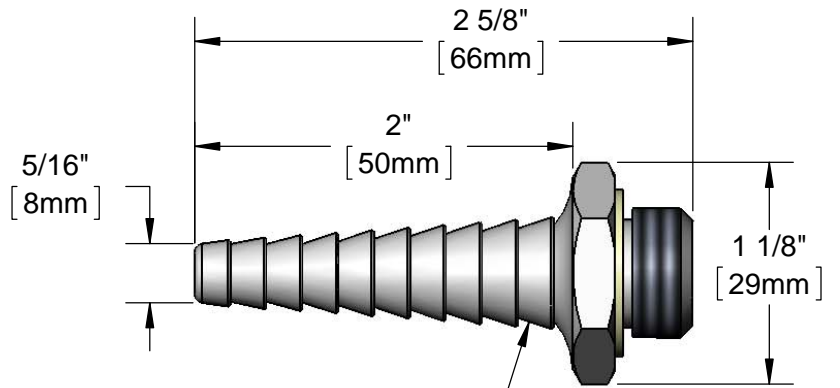
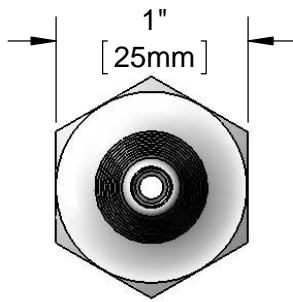
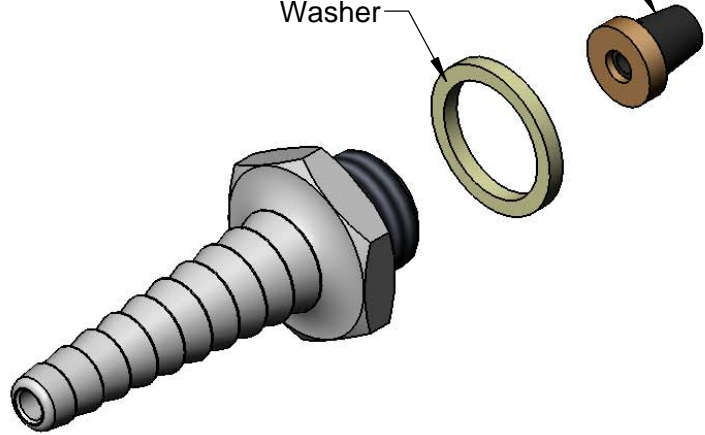
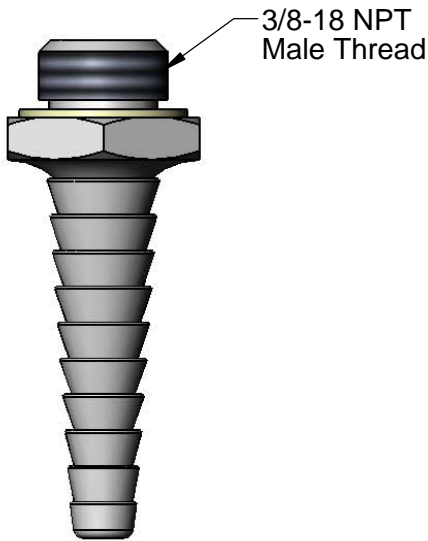
Customer/Wholesaler _____

Contractor _____

Architect/Engineer _____

Flow Tower and Retainer Assembly.
Specify Flow Desired From Chart Below

001051-45
Washer



10 Serrations, Accepts Plastic or Rubber Tubing Up to 1/2" I.D.

Flow (GPM ±15%)	Suffix	Model No.
0.25	03	B-0198-F03
0.4	05	B-0198-F05
0.7	07	B-0198-F07
0.9	10	B-0198-F10
1.2	12	B-0198-F12
1.4	15	B-0198-F15
2.0	20	B-0198-F20

Product Specifications:

Serrated Tip Outlet w/ 3/8" NPT Male Thread, Flow Tower and Retainer Assembly

Product Compliance:

ASME A112.18.1 / CSA B125.1
NSF 61 - Section 9
NSF 372 (Low Lead Content)