



T&S BRASS AND BRONZE WORKS, INC.
 2 Saddleback Cove / P.O. Box 1088
 Travelers Rest, SC 29690

Model No.
B-0195

Item No.

Travelers Rest, SC: 800-476-4103 • Simi Valley, CA: 800-423-0150 • Fax: 864-834-3518 • www.tsbrass.com

This Space for Architect/Engineer Approval

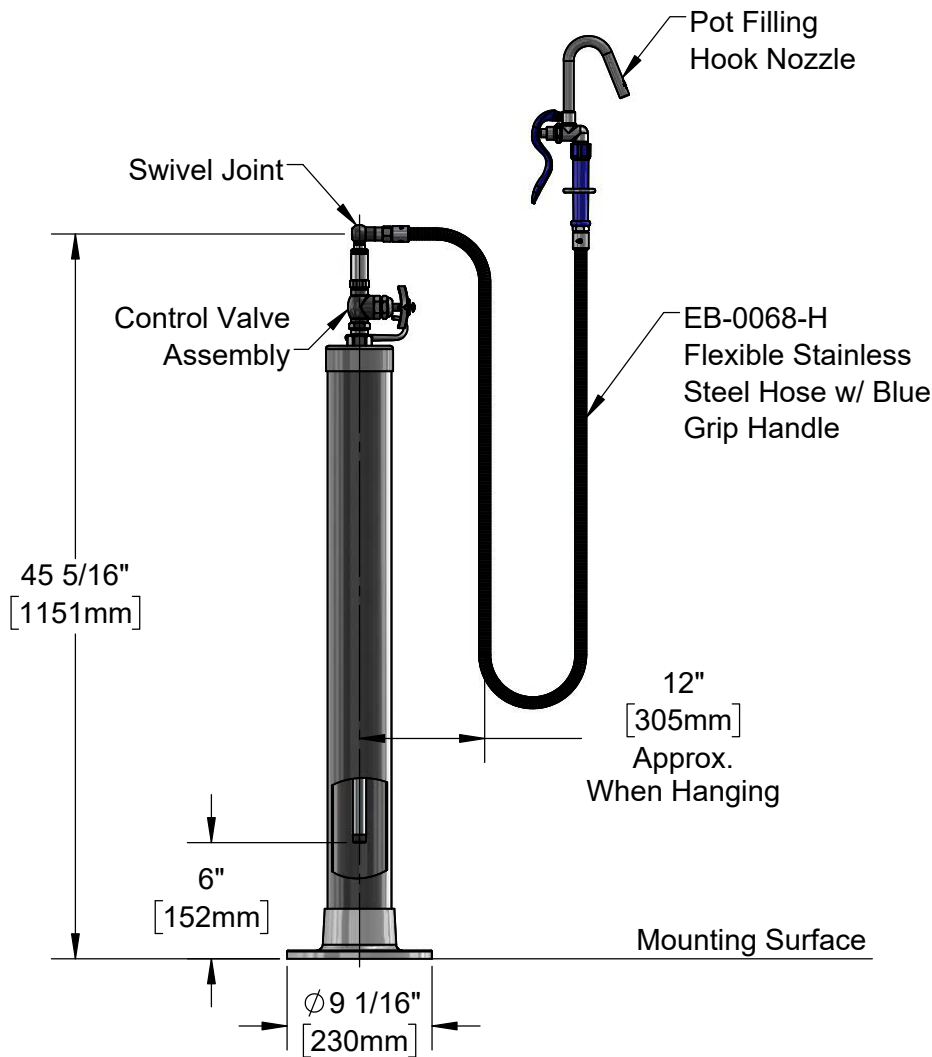
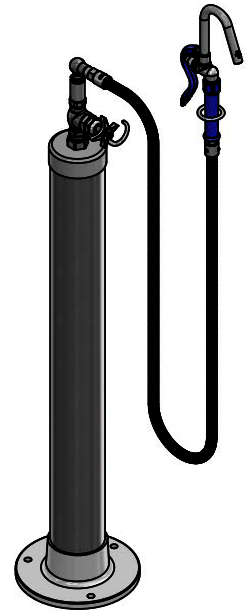
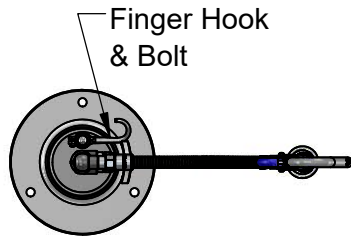
Job Name _____ Date _____

Model Specified _____ Quantity _____

Customer/Wholesaler _____

Contractor _____

Architect/Engineer _____



Product Specifications:
 Kettle Kaddy Stanchion w/ Control Valve, 68" Flexible Stainless Steel Hose,
 & Hook Nozzle

Product Compliance:
 ASME A112.18.1 / CSA B125.1
 NSF 61 - Section 9
 NSF 372 (Low Lead Content)
 EPAct 2005 Non-Compliant (PRSV)

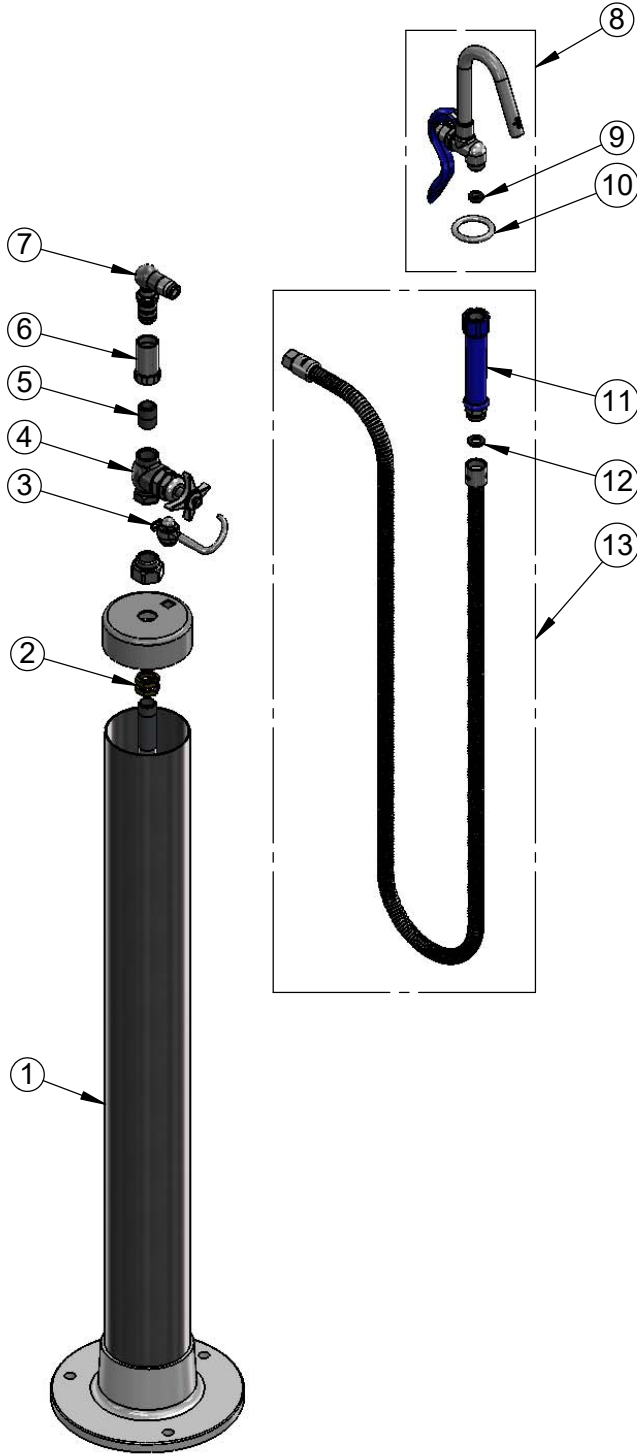


T&S BRASS AND BRONZE WORKS, INC.
 2 Saddleback Cove / P.O. Box 1088
 Travelers Rest, SC 29690

Model No.
B-0195

Item No.

Travelers Rest, SC: 800-476-4103 • Simi Valley, CA: 800-423-0150 • Fax: 864-834-3518 • www.tsbrass.com



ITEM NO.	SALES NO.	DESCRIPTION
1	002847-40	B-0190 Stanchion
2	002954-45	Shank Lock Nut (2)
3	002852-40	Finger Hook & Bolt
4	0RK3	Shut-Off Control Valve
5	002534-25	1/2" NPT Male Nipple
6	000592-25	1/2" NPT Swivel Body
7	002850-40	18" Dbl Jt Swing Nozzle w/ Heat Resistant Handle
8	012952-40	Spray Valve & Hook Nozzle
9	010476-45	#27 Washer
10	000907-45	Spray Valve Hold Down Ring
11	011482-45	Blue Grip Handle
12	001014-45	Washer, B-0100 Hose Barrel
13	EB-0068-H	68" Flexible Stainless Steel Hose w/ Blue Handle

Product Specifications:
 Kettle Kaddy Stanchion w/ Control Valve, 68" Flexible Stainless Steel Hose, & Hook Nozzle

Product Compliance:
 ASME A112.18.1 / CSA B125.1
 NSF 61 - Section 9
 NSF 372 (Low Lead Content)
 EPA Act 2005 Non-Compliant (PRSV)