



**T&S BRASS AND BRONZE WORKS, INC.**  
 2 Saddleback Cove / P.O. Box 1088  
 Travelers Rest, SC 29690

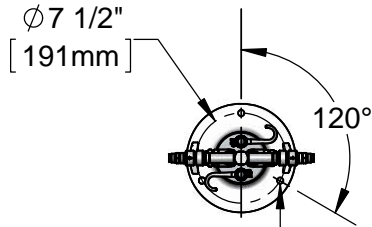
Model No.  
**B-0193**

Item No.

Travelers Rest, SC: 800-476-4103 • Simi Valley, CA: 800-423-0150 • Fax: 864-834-3518 • www.tsbrass.com

This Space for Architect/Engineer Approval

Job Name \_\_\_\_\_ Date \_\_\_\_\_  
 Model Specified \_\_\_\_\_ Quantity \_\_\_\_\_  
 Customer/Wholesaler \_\_\_\_\_  
 Contractor \_\_\_\_\_  
 Architect/Engineer \_\_\_\_\_



(3) Bolt Holes  
 for  $\phi$  1/2" x 3"  
 Hex Head Bolts &  
 Expansion Shields  
 (Included)

EB-0107-035  
 High Flow Angled  
 Spray Valve  
 (Blue)

(2) B-0970-FE  
 3/8" NPT Vacuum  
 Breakers

Pot Filling  
 Hook Nozzle

Items Not Shown  
 For Clarity

Swivel Joint

(2) 002852-40  
 Hook & Bolt

EB-0068-H  
 Flexible Stainless  
 Steel Hose w/ Blue  
 Grip Handle

EB-0104-H  
 Flexible Stainless  
 Steel Hose w/  
 Blue Grip  
 Handle

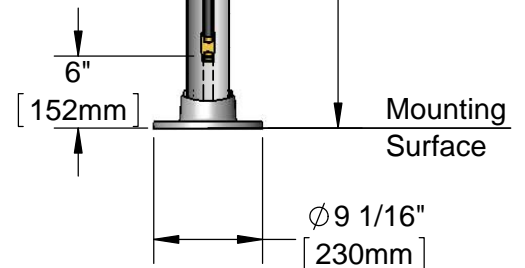
Hot Cold

1/2" Check Valves

47 15/16"  
 [1218mm]

12"  
 [305mm]  
 Appx. When  
 Hose is Hanging

12"  
 [305mm]  
 Appx. When  
 Hose is Hanging



**Rough-In Requirement:**  
 Assembly Connects to a 1/2" Pipe Nipples Roughed in  
 From Floor on 2" Centers to a Height of 6"

**Product Specifications:**  
 Kettle Kaddy Combination Kettle Filler Spray Stanchion, Control Valves,  
 (2) 3/8" NPT Vacuum Breakers, 104" and 68" Flexible Stainless Steel Hoses,  
 Hook Nozzle, High Flow Spray Valve & (2) 1/2" Check Valves

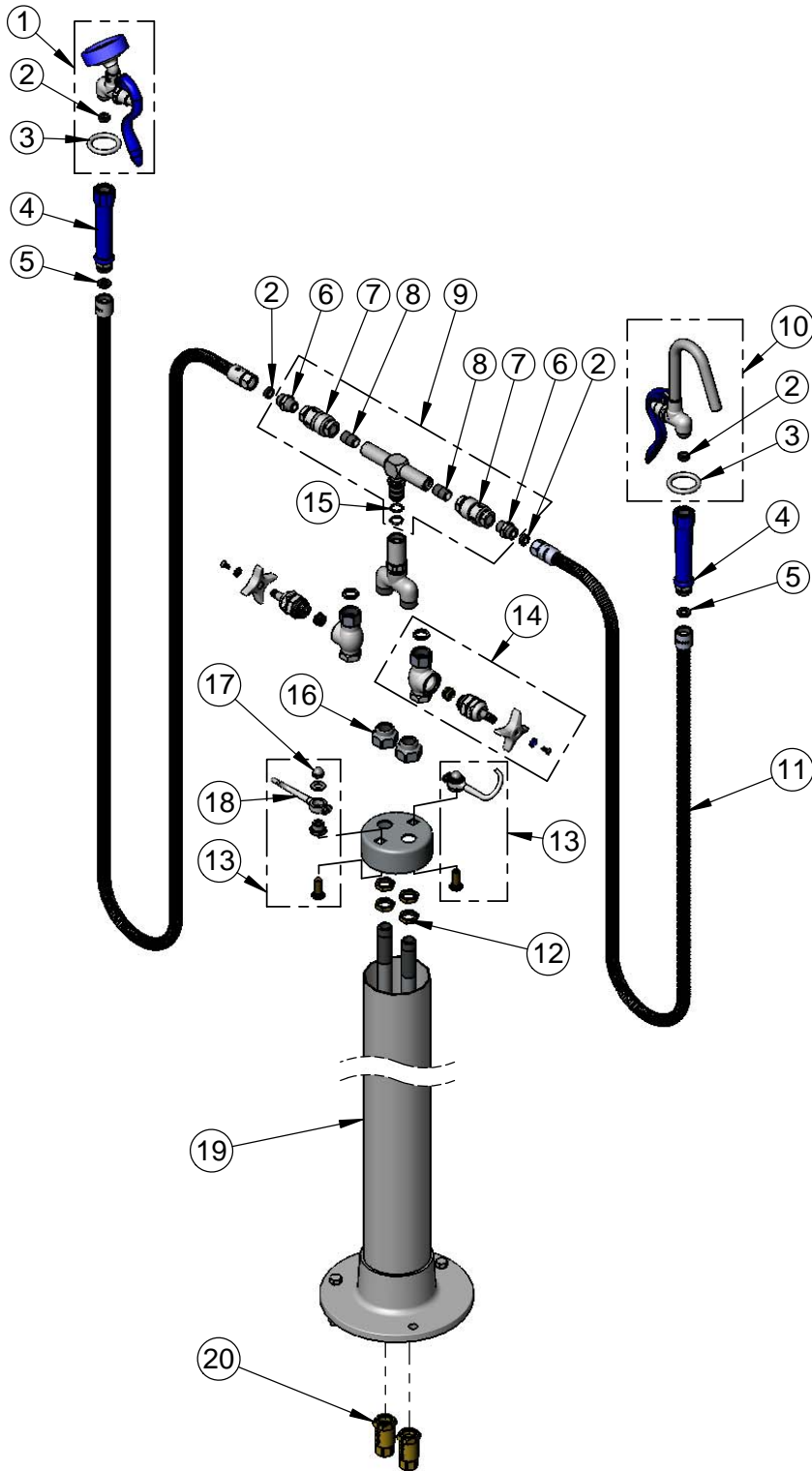
**Product Compliance:**  
 ASME A112.18.1 / CSA B125.1  
 NSF 61 - Section 9  
 NSF 372 (Low Lead Content)  
 EPA Act 2005 Non-Compliant (PRSV)  
 CSA B64.8 (VB)



**T&S BRASS AND BRONZE WORKS, INC.**  
 2 Saddleback Cove / P.O. Box 1088  
 Travelers Rest, SC 29690

Model No.  
**B-0193**  
 Item No.

Travelers Rest, SC: 800-476-4103 • Simi Valley, CA: 800-423-0150 • Fax: 864-834-3518 • www.tsbrass.com



ITEM NO.	SALES NO.	DESCRIPTION
1	EB-0107-035	High Flow Angled Spray Valve (Blue)
2	010476-45	#27 Washer
3	000907-45	Spray Valve Hold Down Ring
4	011482-45	Blue Grip Handle
5	001014-45	Washer, B-0100 Hose Barrel
6	053A	Adapter, 3/8" NPT Male
7	B-0970-FE	3/8" NPT Vacuum Breaker
8	002535-25	3/8" Close Nipple
9	017212-40	"Y" Fitting & VB Swivel Tee w/ (2) Vacuum Breakers
10	012952-40	Spray Valve & Hook Nozzle
11	B-0068-H2A	68" Flexible Stainless Steel Hose, Less Handle
12	002954-45	Shank Lock Nut
13	002852-40	Finger Hook & Bolt
14	002901-40	B-0190 Union Type Valve - CW
15	001074-45	O-Ring
16	001457-40	Cap
17	000950-25	Acorn Nut
18	004R	Finger Hook
19	002847-40	B-0190 Stanchion
20	B-CVH1-2	1/2" Check Valve

**Product Specifications:**  
 Kettle Kaddy Combination Kettle Filler Spray Stanchion, Control Valves,  
 (2) 3/8" NPT Vacuum Breakers, 104" and 68" Flexible Stainless Steel Hoses,  
 Hook Nozzle, High Flow Spray Valve & (2) 1/2" Check Valves

**Product Compliance:**  
 ASME A112.18.1 / CSA B125.1  
 NSF 61 - Section 9  
 NSF 372 (Low Lead Content)  
 EPA Act 2005 Non-Compliant (PRSV)  
 CSA B64.8 (VB)