



T&S BRASS AND BRONZE WORKS, INC.
 2 Saddleback Cove / P.O. Box 1088
 Travelers Rest, SC 29690

Model No.
B-0187

Item No.

Travelers Rest, SC: 800-476-4103 • Simi Valley, CA: 800-423-0150 • Fax: 864-834-3518 • www.tsbrass.com

This Space for Architect/Engineer Approval

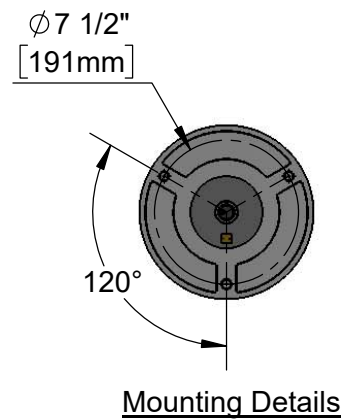
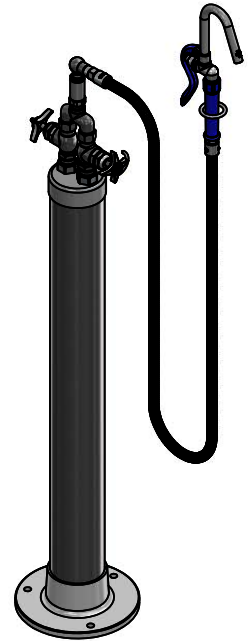
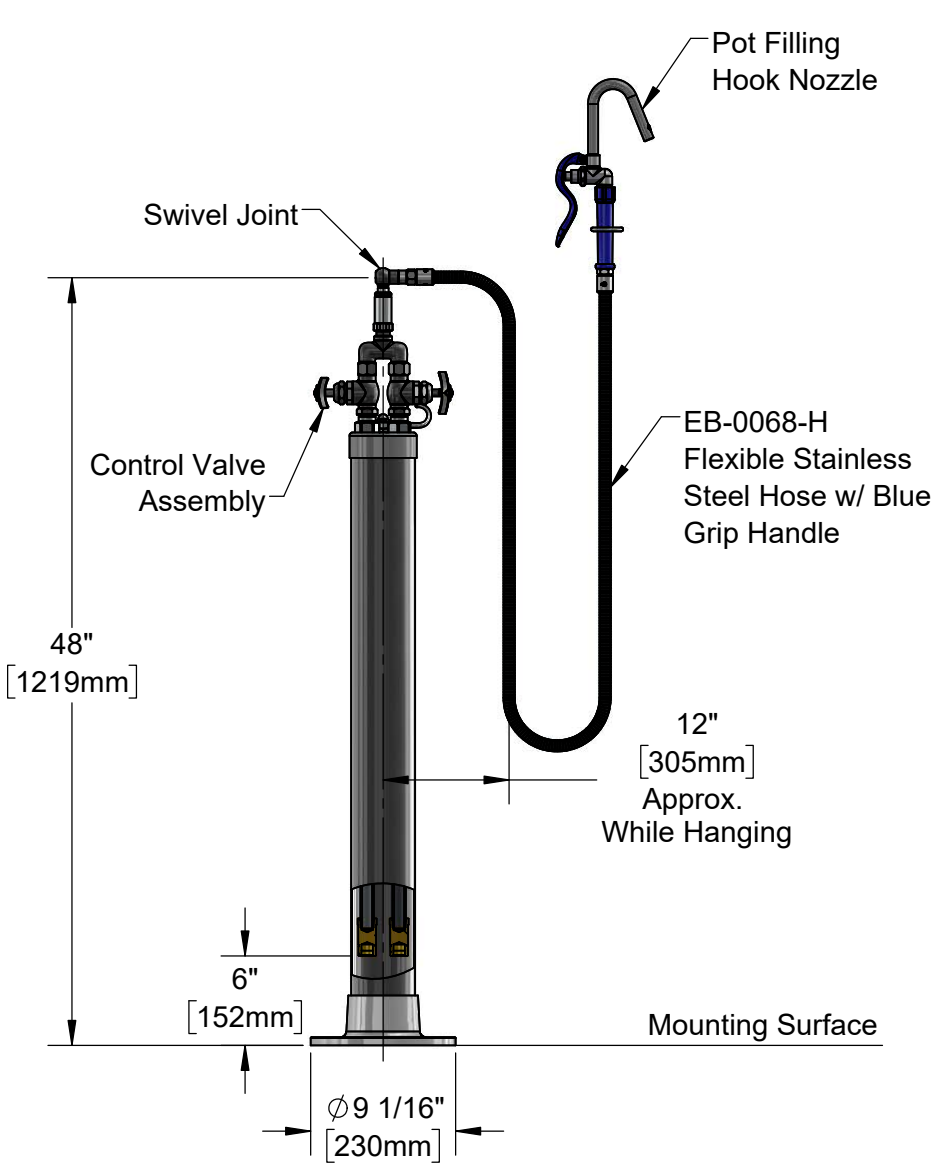
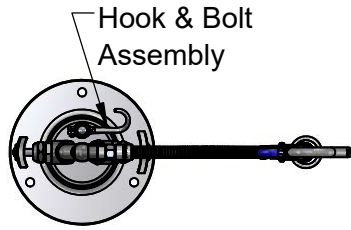
Job Name _____ Date _____

Model Specified _____ Quantity _____

Customer/Wholesaler _____

Contractor _____

Architect/Engineer _____



Product Specifications:

Kettle Kaddy Stanchion w/ Control Valves, Mixing Valve, 68" Flexible Stainless Steel Hose, Hook Nozzle, & (2) 1/2" Check Valves

Product Compliance:

ASME A112.18.1 / CSA B125.1
 NSF 61 - Section 9
 NSF 372 (Low Lead Content)
 EPA Act 2005 Non-Compliant (PRSV)

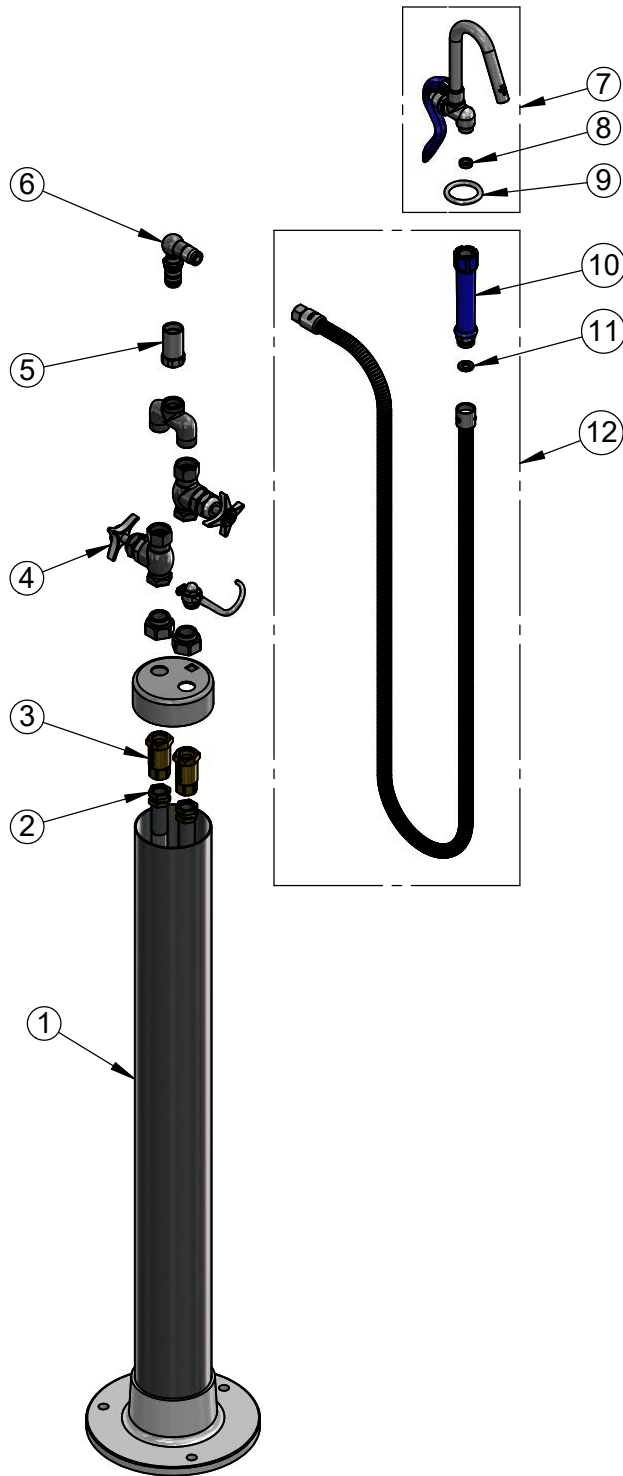


T&S BRASS AND BRONZE WORKS, INC.
 2 Saddleback Cove / P.O. Box 1088
 Travelers Rest, SC 29690

Model No.
B-0187

Item No.

Travelers Rest, SC: 800-476-4103 • Simi Valley, CA: 800-423-0150 • Fax: 864-834-3518 • www.tsbrass.com



ITEM NO.	SALES NO.	DESCRIPTION
1	002847-40	B-0190 Stanchion
2	002954-45	Shank Lock Nut (4)
3	B-CVV1-2	1/2" Check Valve (2)
4	0RK3	Shut-Off Control Valve
5	000590-25	1/2" NPT Swivel Body
6	002850-40	1/2" Swivel Coupling
7	012952-40	Spray Valve & Hook Nozzle
8	010476-45	#27 Washer
9	000907-45	Spray Valve Hold Down Ring
10	011482-45	Blue Grip Handle
11	001014-45	Washer, B-0100 Hose Barrel
12	EB-0068-H	68" Flexible Stainless Steel Hose w/ Blue Handle

Product Specifications:
 Kettle Kaddy Stanchion w/ Control Valves, Mixing Valve, 68" Flexible Stainless Steel Hose, Hook Nozzle, & (2) 1/2" Check Valves

Product Compliance:
 ASME A112.18.1 / CSA B125.1
 NSF 61 - Section 9
 NSF 372 (Low Lead Content)
 EPA Act 2005 Non-Compliant (PRSV)