



T&S BRASS AND BRONZE WORKS, INC.

2 Saddleback Cove / P.O. Box 1088
Travelers Rest, SC 29690

Model No.

B-0179-01-CR

Item No.

Travelers Rest, SC: 800-476-4103 • Simi Valley, CA: 800-423-0150 • Fax: 864-834-3518 • www.tsbrass.com

This Space for Architect/Engineer Approval

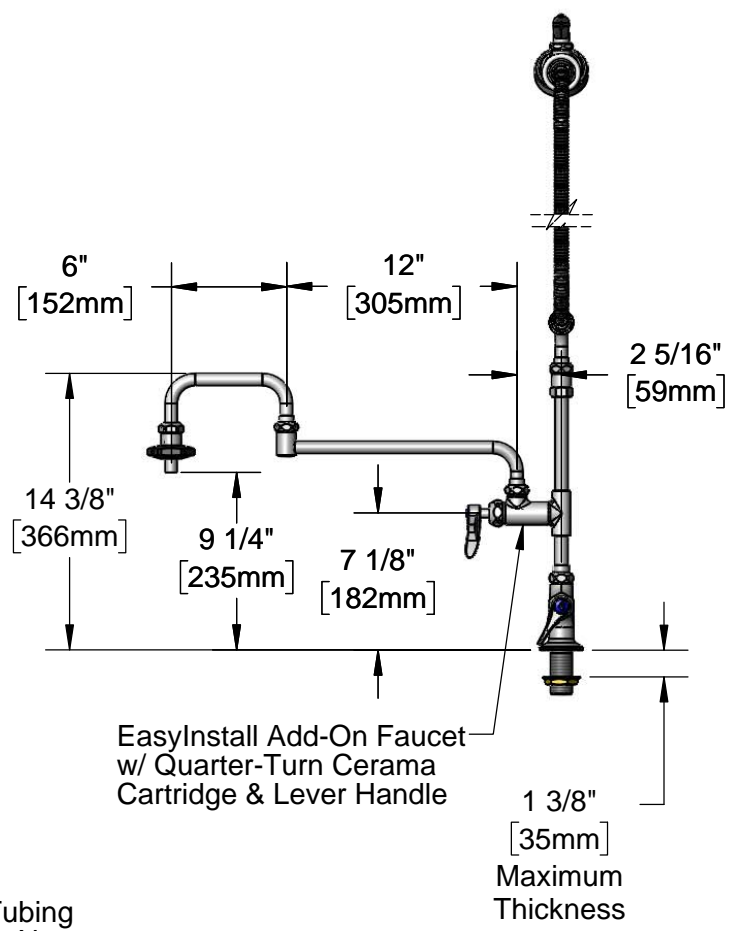
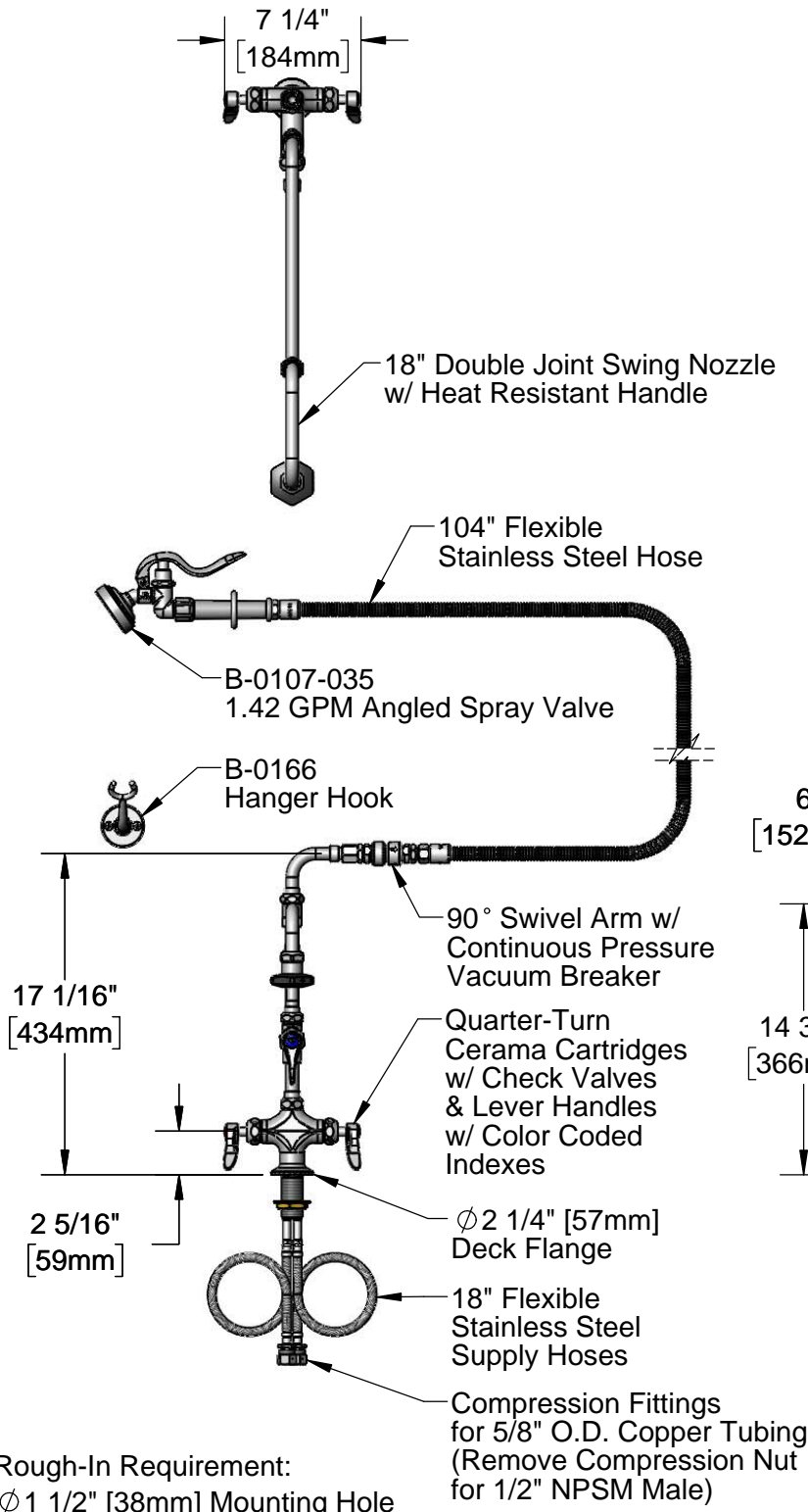
Job Name _____ Date _____

Model Specified _____ Quantity _____

Customer/Wholesaler _____

Contractor _____

Architect/Engineer _____



Product Specifications:
Single Hole Deck Mount Mixing Faucet, Quarter-Turn Cerama Cartridges w/ Check Valves, Lever Handles, 104" Flexible Stainless Steel Hose, 1.42 GPM Angled Spray Valve, Add-On Faucet w/ 18" Double Joint Swing Nozzle, 6" Riser, 90° Swivel Adapter Arm, Vacuum Breaker, Wall Hook & 18" Flexible Stainless Steel Supply Hoses w/ 1/2" NPSM Male Inlets

Product Compliance:
ASME A112.18.1 / CSA B125.1
NSF 61 - Section 9
NSF 372 (Low Lead Content)
EPA Act 2005 (PRSV)
CSA B64.8 (VB)



T&S BRASS AND BRONZE WORKS, INC.

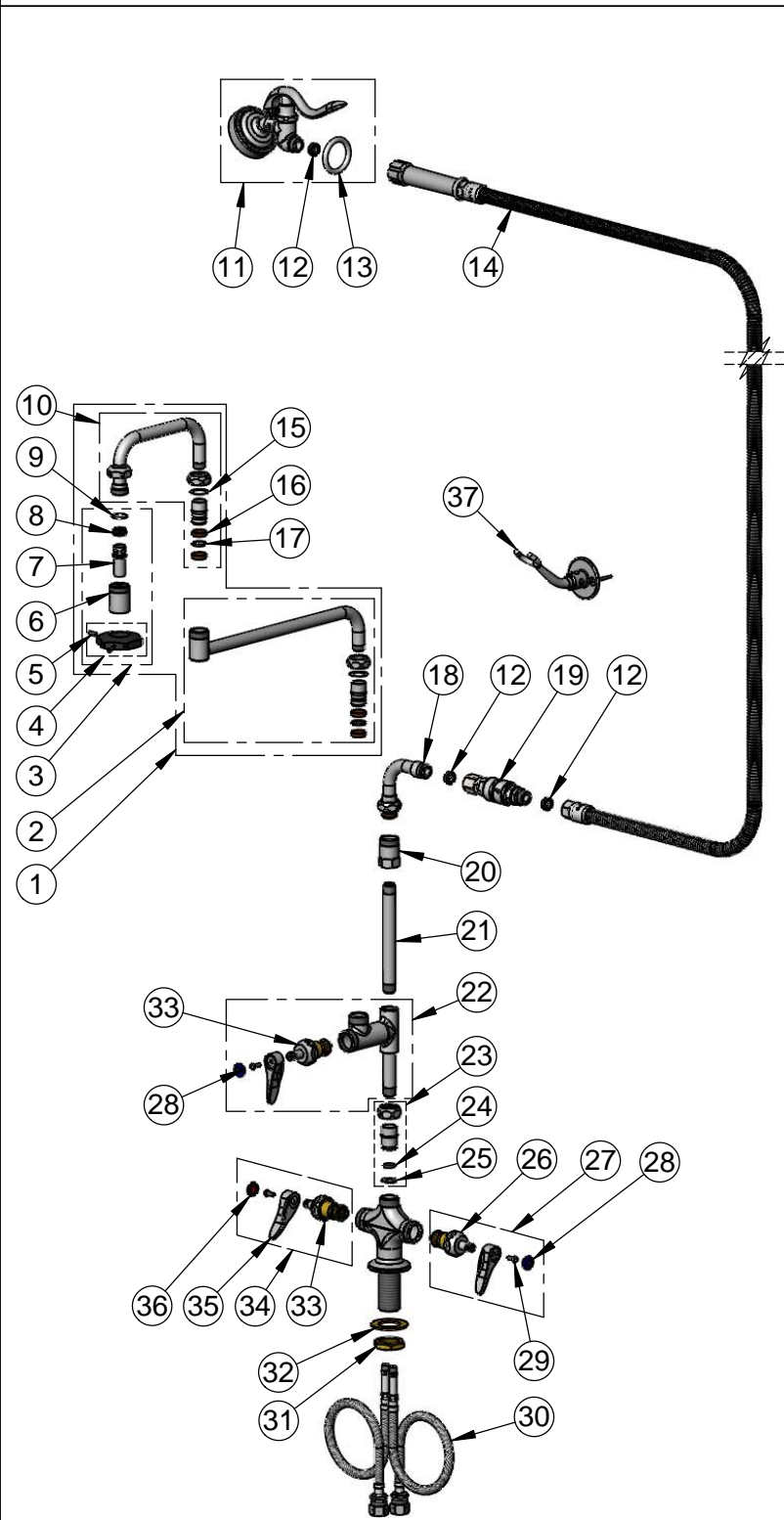
2 Saddleback Cove / P.O. Box 1088
Travelers Rest, SC 29690

Model No.

B-0179-01-CR

Item No.

Travelers Rest, SC: 800-476-4103 • Simi Valley, CA: 800-423-0150 • Fax: 864-834-3518 • www.tsbrass.com



ITEM NO.	SALES NO.	DESCRIPTION
1	002848-40	18" Double Joint Nozzle
2	002871-40	12" Back Section
3	035A	Pot Filler Outlet
4	001126-20	Heat Resistant Handle w/ Screws
5	000936-45	Handle Set Screw
6	000587-25	Spout Body
7	001498-25	Spout
8	001089-45	Seal
9	003426-45	O-Ring
10	002870-40	6" Front Section
11	B-0107-035	1.42 GPM Angled Spray Valve
12	010476-45	#27 Washer
13	000907-45	Spray Valve Hold Down Ring
14	B-0104-H	104" Flexible Stainless Steel Hose
15	009538-45	Swivel Washer
16	011429-45	Swivel Sleeves (2)
17	001074-45	O-Ring
18	034A	90° Swivel Arm Adapter
19	B-0970-01	Vacuum Breaker, 3/4-14 UN
20	054X	Swivel Body
21	144X	Nipple, 3/8" x 6"
22	B-0155-CR-LN	Add-On Faucet w/ Quarter-Turn Cerama Cartridge, Less Nozzle
23	EZ-K	EasyInstall Kit
24	001065-45	O-ring
25	014200-45	Star Washer, Anti-Rotation
26	012395-25NS	Quarter-Turn Cerama Cartridge w/ Check Valve, LTC
27	012447-25NS	Quarter-Turn Cerama Cartridge w/ Check Valve, Handle, Blue Index & Screw, LTC
28	018506-19NS	Blue Button Index, Press-in
29	000925-45	Lab Handle Screw
30	012534-45	18" Flexible Supply Hose (2)
31	000965-45	Lock Nut
32	002290-45	Lock Washer
33	012394-25NS	Quarter-Turn Cerama Cartridge w/ Check Valve, RTC
34	012446-25NS	Quarter-Turn Cerama Cartridge w/ Check Valve, Handle, Red Index & Screw, RTC
35	001638-45NS	Lever Handle (New Style)
36	001193-19NS	Red Button Index, Press-in
37	B-0166	Hanger Hook

Product Specifications:
Single Hole Deck Mount Mixing Faucet, Quarter-Turn Cerama Cartridges w/ Check Valves, Lever Handles, 104" Flexible Stainless Steel Hose, 1.42 GPM Angled Spray Valve, Add-On Faucet w/ 18" Double Joint Swing Nozzle, 6" Riser, 90° Swivel Adapter Arm, Vacuum Breaker, Wall Hook & 18" Flexible Stainless Steel Supply Hoses w/ 1/2" NPSM Male Inlets

Product Compliance:
ASME A112.18.1 / CSA B125.1
NSF 61 - Section 9
NSF 372 (Low Lead Content)
EPAct 2005 (PRSV)
CSA B64.8 (VB)