



T&S BRASS AND BRONZE WORKS, INC.

2 Saddleback Cove / P.O. Box 1088
Travelers Rest, SC 29690

Model No.

B-0178

Item No.

Travelers Rest, SC: 800-476-4103 • Simi Valley, CA: 800-423-0150 • Fax: 864-834-3518 • www.tsbrass.com

This Space for Architect/Engineer Approval

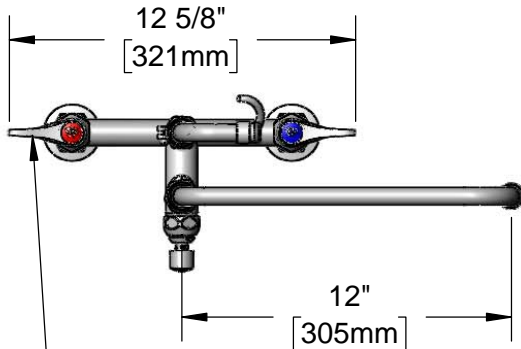
Job Name _____ Date _____

Model Specified _____ Quantity _____

Customer/Wholesaler _____

Contractor _____

Architect/Engineer _____



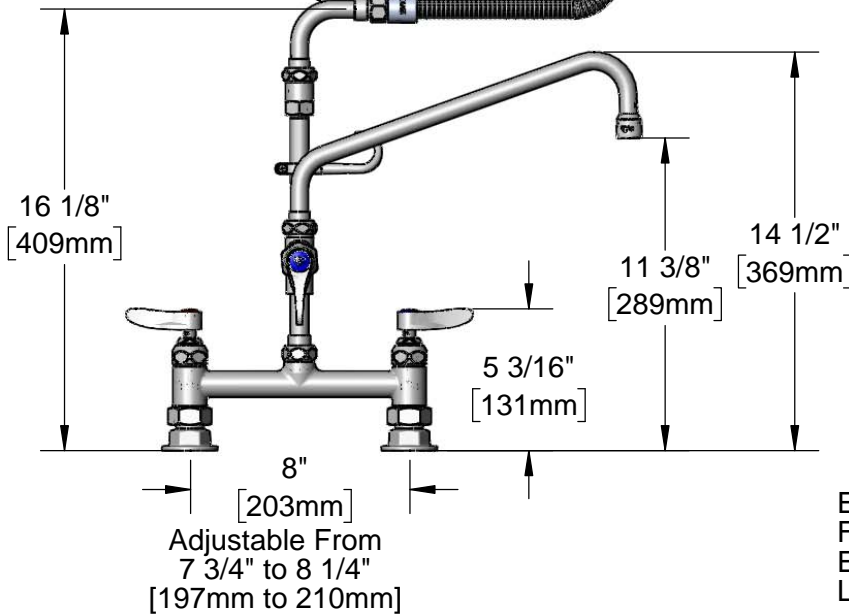
Quarter-Turn
Eterna Cartridges w/
Spring Checks &
Lever Handles w/
Color Coded Indexes

B-0107
1.42 GPM
Spray Valve

20" Flexible Stainless
Steel Hose

90° Swivel
Adapter Arm

062X
12" Swing Nozzle w/
Stream Regulator Outlet



2 5/16"
[59mm]

Swivel
Body

Finger
Hook

6 7/8"
[175mm]

EasyInstall Add-On
Faucet w/ Quarter-Turn
Eterna Cartridge &
Lever Handle

Ø 2" [51mm]
Flanges w/
1/2" NPT
Female Inlets

Product Specifications:

8" Deck Mount Mixing Faucet, Quarter-Turn Eterna Cartridges w/ Spring Checks, Lever Handles, Add-On Faucet, 12" Swing Nozzle, 20" Flexible Stainless Steel Hose w/ 1.42 GPM Spray Valve & 1/2" NPT Female Inlets

Product Compliance:

ASME A112.18.1 / CSA B125.1
NSF 61 - Section 9
NSF 372 (Low Lead Content)
EPA Act 2005 (PRSV)



T&S BRASS AND BRONZE WORKS, INC.

2 Saddleback Cove / P.O. Box 1088
Travelers Rest, SC 29690

Model No.

B-0178

Item No.

Travelers Rest, SC: 800-476-4103 • Simi Valley, CA: 800-423-0150 • Fax: 864-834-3518 • www.tsbrass.com

ITEM NO.	SALES NO.	DESCRIPTION
1	B-0107	1.42 GPM Spray Valve
2	010476-45	#27 Washer
3	000907-45	Spray Valve Hold Down Ring
4	034A	90° Swivel Adapter Arm
5	009538-45	Swivel Washer
6	011429-45	Swivel Sleeves (2)
7	001074-45	O-Ring
8	054X	Swivel Body
9	004R	Finger Hook
10	000361-40	Nipple, 3/8" NPT x 5"
11	B-0020-H	20" Flexible Stainless Steel Hose
12	002987-40	Grip Handle
13	001014-45	Washer, B-0100 Hose Barrel
14	B-0020-H2A	20" Flexible Stainless Steel Hose, Less Handle
15	062X	12" Swing Nozzle
16	B-0156-EZ	Add-On Faucet, Eterna Cartridge & Lever Handle, 12" Swing Nozzle
17	B-0155-LNEZ	Add-On Faucet w/ Quarter-Turn Eterna Cartridge, RTC & Lever Handle, Less Nozzle
18	EZ-K	EasyInstall Kit
19	001065-45	O-Ring
20	014200-45	Star Washer, Anti-Rotation
21	018506-19NS	Blue Button Index, Press-in
22	000925-45	Lab Handle Screw
23	012442-40NS	Quarter-Turn Eterna Cartridge w/ Spring Check, LTC
24	002711-40NS	Quarter-Turn Eterna Cartridge w/ Spring Check, Handle, Blue Index & Screw, LTC
25	001019-45	Coupling Nut Washer
26	00AA	1/2" NPT Female Eccentric Flange
27	002712-40NS	Quarter-Turn Eterna Cartridge w/ Spring Check, Handle, Red Index & Screw, RTC
28	012443-40NS	Quarter-Turn Eterna Cartridge w/ Spring Check, RTC
29	001638-45NS	Lever Handle (New Style)
30	001193-19NS	Red Button Index, Press-in
31	B-PT	Full Flow Stream Regulator, 55/64-27

Product Specifications:
8" Deck Mount Mixing Faucet, Quarter-Turn Eterna Cartridges w/ Spring Checks, Lever Handles, Add-On Faucet, 12" Swing Nozzle, 20" Flexible Stainless Steel Hose w/ 1.42 GPM Spray Valve & 1/2 NPT Female Inlets

Product Compliance:
ASME A112.18.1 / CSA B125.1
NSF 61 - Section 9
NSF 372 (Low Lead Content)
EPA Act 2005 (PRSV)