



T&S BRASS AND BRONZE WORKS, INC.

2 Saddleback Cove / P.O. Box 1088
Travelers Rest, SC 29690

Model No.

B-0175-04

Item No.

Travelers Rest, SC: 800-476-4103 • Simi Valley, CA: 800-423-0150 • Fax: 864-834-3518 • www.tsbrass.com

This Space for Architect/Engineer Approval

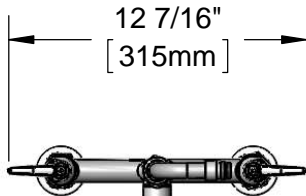
Job Name _____ Date _____

Model Specified _____ Quantity _____

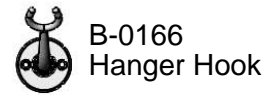
Customer/Wholesaler _____

Contractor _____

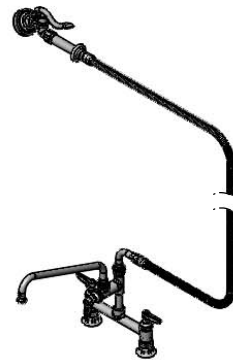
Architect/Engineer _____



062X
12" Swing Nozzle w/
Stream Regulator
Outlet



B-0166
Hanger Hook

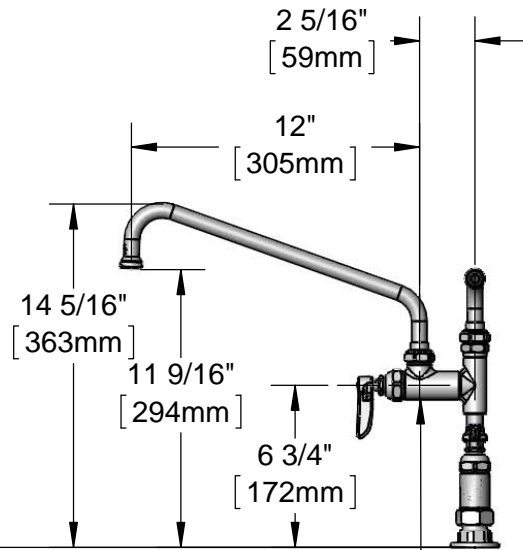
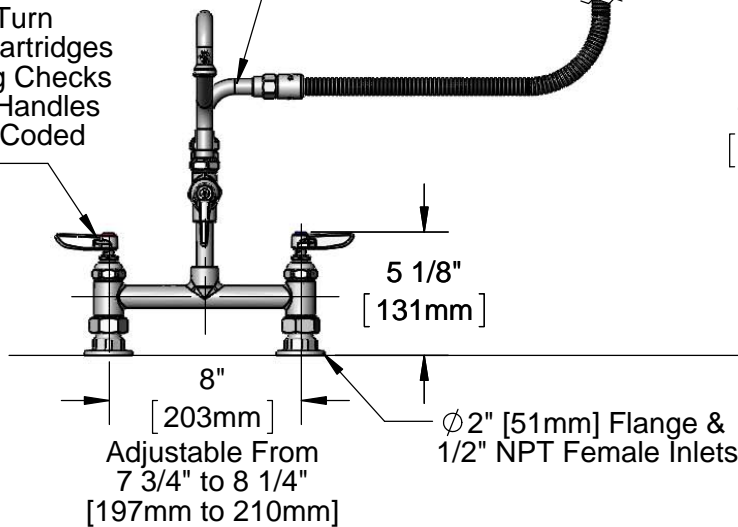


B-0107-035
1.42 GPM
Spray Valve

104" Flexible
Stainless Steel
Hose

90° Swivel
Adapter Arm

Quarter-Turn
Eterna Cartridges
w/ Spring Checks
& Lever Handles
w/ Color Coded
Indexes



Add-On Faucet w/
Quarter-Turn
Eterna Cartridge &
Lever Handle

Product Specifications:

8" Wall Mount Mixing Faucet, Quarter-Turn Eterna Cartridges w/ Spring Checks, Lever Handles, 104" Flexible Stainless Steel Hose, 1.42 GPM Angled Spray Valve, 12" Swing Nozzle, 90° Swivel Adapter Arm, Wall Hook & 1/2" NPT Female Inlets

Product Compliance:

ASME A112.18.1 / CSA B125.1
NSF 61 - Section 9
NSF 372 (Low Lead Content)
EPA Act 2005 (PRSV)



T&S BRASS AND BRONZE WORKS, INC.

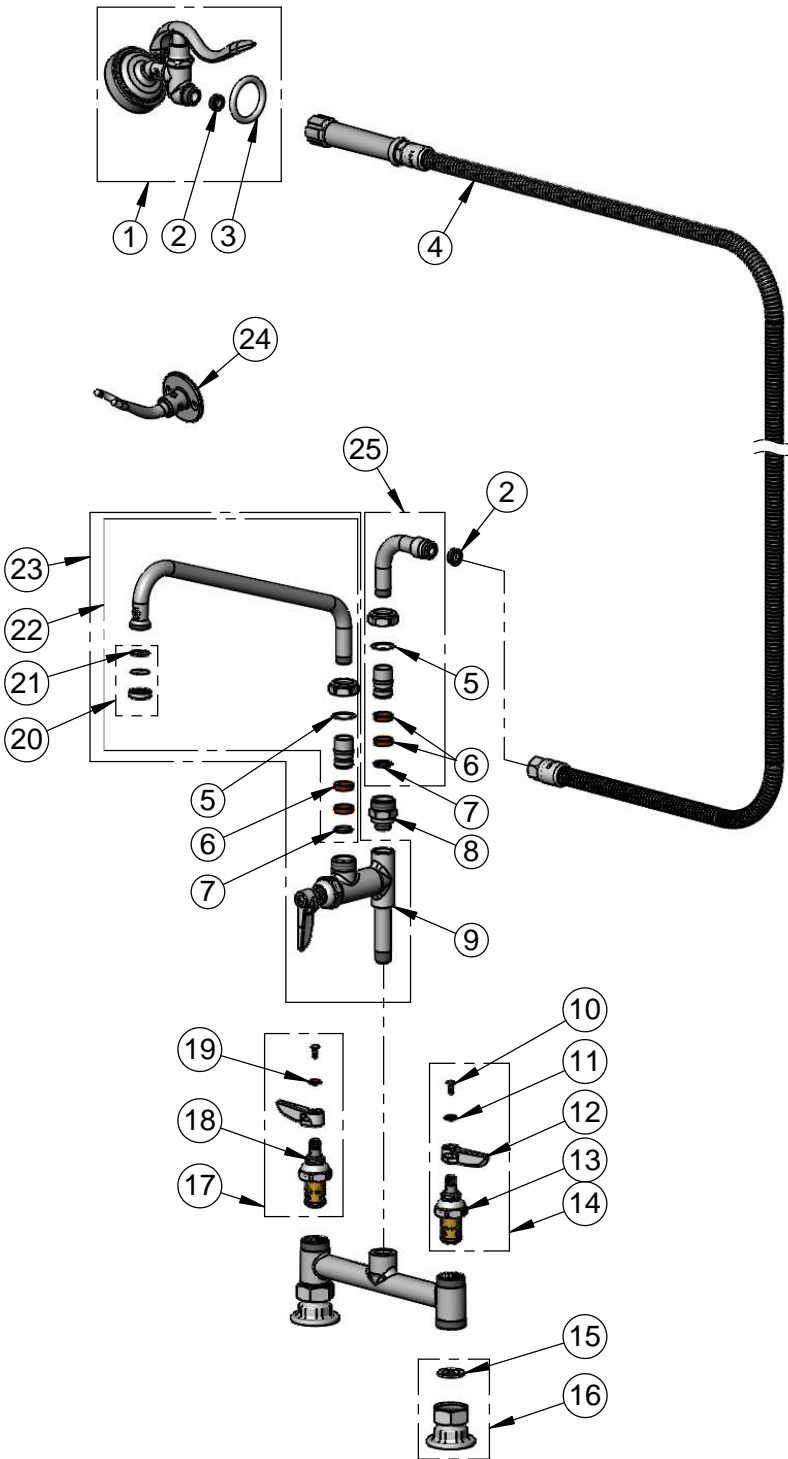
2 Saddleback Cove / P.O. Box 1088
Travelers Rest, SC 29690

Model No.

B-0175-04

Item No.

Travelers Rest, SC: 800-476-4103 • Simi Valley, CA: 800-423-0150 • Fax: 864-834-3518 • www.tsbrass.com



ITEM NO.	SALES NO.	DESCRIPTION
1	B-0107-035	1.42 GPM Angled Spray Valve
2	010476-45	#27 Washer
3	000907-45	Spray Valve Hold Down Ring
4	B-0104-H	104" Flexible Stainless Steel Hose w/ Handle
5	009538-45	Swivel Washer
6	011429-45	Swivel Sleeves (2)
7	001074-45	O-Ring
8	B-0412	Rigid to Swivel Adapter
9	B-0155-LN	Add-On Faucet -Less Nozzle
10	000922-45	Lever Handle Screw
11	001660-45	Blue Index-CW
12	001638-45	Lever Handle
13	012442-40	Quarter-Turn Eterna Cartridge, LTC w/ Spring Check
14	002711-40	Quarter-Turn Eterna Cartridge, LTC w/ Spring Check, Handle, Index & Screw
15	001019-45	Coupling Nut Washer
16	00AA	1/2" NPT Female Eccentric Flange
17	002712-40	Quarter-Turn Eterna Cartridge, RTC w/ Spring Check, Handle, Index & Screw
18	012443-40	Quarter-Turn Eterna Cartridge, RTC w/ Spring Check
19	001661-45	Red Index-HW
20	B-PT	Stream Regulator Outlet
21	009638-45	Washer
22	062X	12" Swing Nozzle
23	B-0156	Add-On Faucet w/ 12" Swing Nozzle
24	B-0166	Hanger Hook
25	034A	90° Swivel Adapter Arm

Product Specifications:

8" Wall Mount Mixing Faucet, Quarter-Turn Eterna Cartridges w/ Spring Checks, Lever Handles, 104" Flexible Stainless Steel Hose, 1.42 GPM Angled Spray Valve, 12" Swing Nozzle, 90° Swivel Adapter Arm, Wall Hook & 1/2" NPT Female Inlets

Product Compliance:

ASME A112.18.1 / CSA B125.1
NSF 61 - Section 9
NSF 372 (Low Lead Content)
EPA Act 2005 (PRSV)