



# T&S BRASS AND BRONZE WORKS, INC.

2 Saddleback Cove / P.O. Box 1088  
Travelers Rest, SC 29690

Model No.

**B-0173-BR**

Item No.

Travelers Rest, SC: 800-476-4103 • Simi Valley, CA: 800-423-0150 • Fax: 864-834-3518 • www.tsbrass.com

This Space for Architect/Engineer Approval

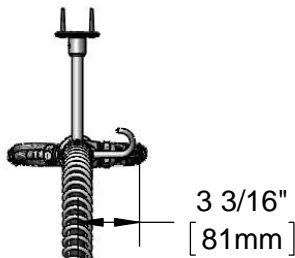
Job Name \_\_\_\_\_ Date \_\_\_\_\_

Model Specified \_\_\_\_\_ Quantity \_\_\_\_\_

Customer/Wholesaler \_\_\_\_\_

Contractor \_\_\_\_\_

Architect/Engineer \_\_\_\_\_



44" PVC Hose w/  
Overhead Spring &  
Spray Valve

Items Not Shown  
for Clarity

Finger Hook

3/8" NPT x 24" Riser

B-0107  
Spray Valve  
1.42 GPM

Eterna Cartridge  
& Lever Handle

Mounting Surface

Temperature Mixing Valve  
w/ Integral Check Valves

18" Flexible Stainless Steel  
Supply Hoses

Compression Fittings  
for 5/8" O.D. Copper Tubing  
(Remove Compression Nut  
for 1/2" NPSM Male)

B-0109-01  
Wall Bracket

42 5/16"  
[1075mm]

12 3/16"  
[310mm]

14 1/8"  
[359mm]

1 1/4"  
[32mm]  
Maximum  
Thickness

Ø2"  
[51mm]  
Flange

5 7/16"  
[138mm]

Rough-In Requirement:  
Ø1" [25mm] Mounting Hole

**Product Specifications:**

**Pre-Rinse Unit:**

Single Deck Mount Faucet w/ Eterna Cartridge, 24" Riser, Overhead Spring, 44" PVC Hose, 1.42 GPM Spray Valve, Wall Bracket, Temperature Control Mixing Valve w/ Integral Check Valves & 18" Flexible Stainless Steel Supply Hoses w/ 1/2" NPSM Male Inlets

**Product Compliance:**

ASME A112.18.1 / CSA B125.1  
NSF 61 - Section 9  
NSF 372 (Low Lead Content)  
EPA Act 2005 (PRSV)



# T&S BRASS AND BRONZE WORKS, INC.

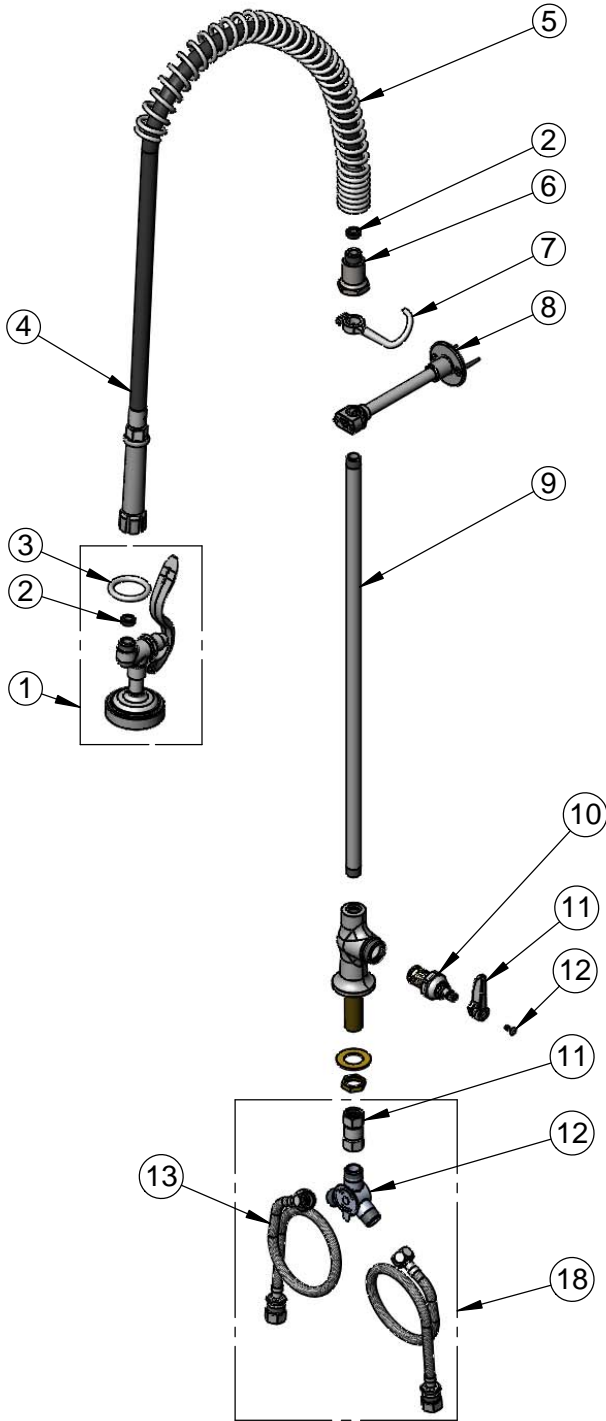
2 Saddleback Cove / P.O. Box 1088  
Travelers Rest, SC 29690

Model No.

**B-0173-BR**

Item No.

Travelers Rest, SC: 800-476-4103 • Simi Valley, CA: 800-423-0150 • Fax: 864-834-3518 • www.tsbrass.com



| ITEM NO. | SALES NO. | DESCRIPTION  |
|----------|-----------|--|
| 1        | B-0107    | 1.42 GPM Spray Valve   |
| 2        | 010476-45 | #27 Washer   |
| 3        | 000907-45 | Spray Valve Hold Down Ring   |
| 4        | B-0044-R  | 44" PVC Hose w/ Grip Handle  |
| 5        | 000888-45 | EasyInstall Overhead Spring  |
| 6        | 000821-40 | Spring Body  |
| 7        | 004R      | Finger Hook  |
| 8        | B-0109-01 | 6" Wall Bracket  |
| 9        | 000372-40 | 3/8" NPT x 24" Riser   |
| 10       | 005960-40 | Eterna Cartridge RTC   |
| 11       | 017506-45 | 1/2" NPSM Swivel Coupling  |
| 12       | 5EF-0006  | Mechanical Mixing Valve  |
| 13       | 019192-45 | Flexible Connector Hose (2)  |
| 14       | 019321-40 | Temperature Control Mixing Valve w/ Flexible 1/2" NPSM Male Inlets |
| 50       | 001022-45 | Washer   |
| 51       | 000788-20 | Removable Insert, RH Thread  |
| 52       | 000933-45 | B-1100 Seat Washer Screw   |
| 53       | 001092-45 | Seat Washer  |
| 54       |           | RTC Spindle (RH Thread)  |
| 55       | 009744-25 | Cerama Cartridge, RTC  |
| 56       | 002601-45 | Washer   |
| 57       |           | Seal, Eterna Bonnet Packing  |
| 58       | 000718-25 | Nut, Plated Packing  |
| 59       |           | B-0305 Faucet Body, Rigid  |
| 60       |           | Shank, BL Faucet   |
| 61       | 001079-45 | O-ring, Size -016  |
| 62       | 001638-45 | Lever Handle   |
| 63       | 000999-45 | Brass Lock Washer  |
| 64       | 000922-45 | Lever Handle Screw   |
| 65       | 002954-45 | Shank Lock Nut   |
| 66       | 000915-45 | Mounting Screw   |

**Product Specifications:**

**Pre-Rinse Unit:**

Single Deck Mount Faucet w/ Eterna Cartridge, 24" Riser, Overhead Spring, 44" PVC Hose, 1.42 GPM Spray Valve, Wall Bracket, Temperature Control Mixing Valve w/ Integral Check Valves & 18" Flexible Stainless Steel Supply Hoses w/ 1/2" NPSM Male Inlets

**Product Compliance:**

ASME A112.18.1 / CSA B125.1  
NSF 61 - Section 9  
NSF 372 (Low Lead Content)  
EPA Act 2005 (PRSV)