



**T&S BRASS AND BRONZE WORKS, INC.**  
 2 Saddleback Cove / P.O. Box 1088  
 Travelers Rest, SC 29690

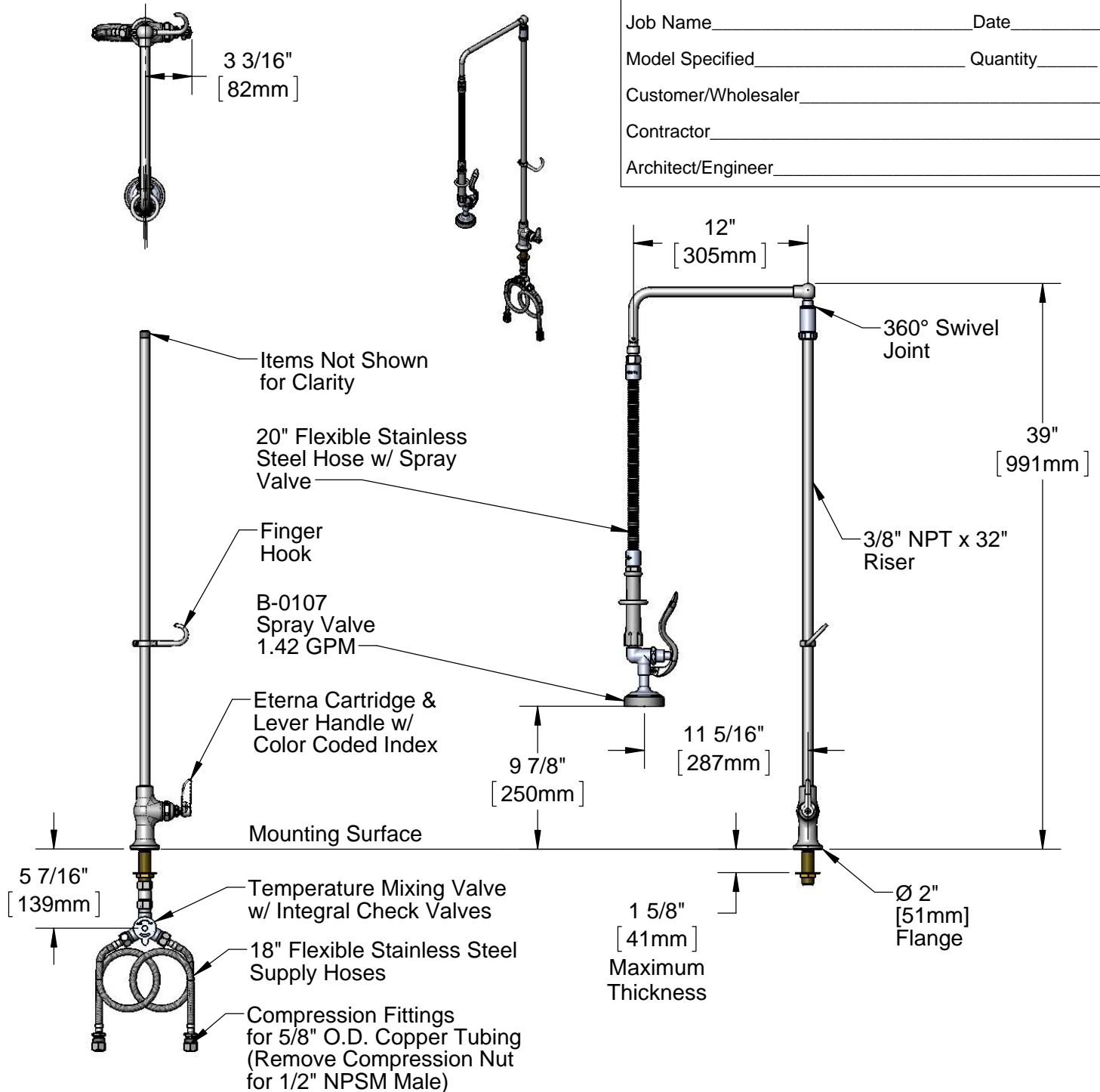
Model No.  
**B-0171**

Item No.

Travelers Rest, SC: 800-476-4103 • Simi Valley, CA: 800-423-0150 • Fax: 864-834-3518 • www.tsbrass.com

This Space for Architect/Engineer Approval

Job Name \_\_\_\_\_ Date \_\_\_\_\_  
 Model Specified \_\_\_\_\_ Quantity \_\_\_\_\_  
 Customer/Wholesaler \_\_\_\_\_  
 Contractor \_\_\_\_\_  
 Architect/Engineer \_\_\_\_\_



Rough-In Requirement:  
 Ø 1" [25mm] Mounting Hole

Product Specifications:  
 Single Hole, Single Temperature Deck Mount Mixing Faucet, Eterna Cartridge, Lever Handle, 12" Overhead Swivel Arm, 20" Flexible Stainless Steel Hose, 1.42 GPM Spray Valve, Temperature Control Mixing Valve w/ Integral Check Valves & 18" Flexible Stainless Steel Supply Hoses w/ 1/2" NPSM Male Inlets

Product Compliance:  
 ASME A112.18.1 / CSA B125.1  
 NSF 61 - Section 9  
 NSF 372 (Low Lead Content)  
 EPA Act 2005 (PRSV)



# T&S BRASS AND BRONZE WORKS, INC.

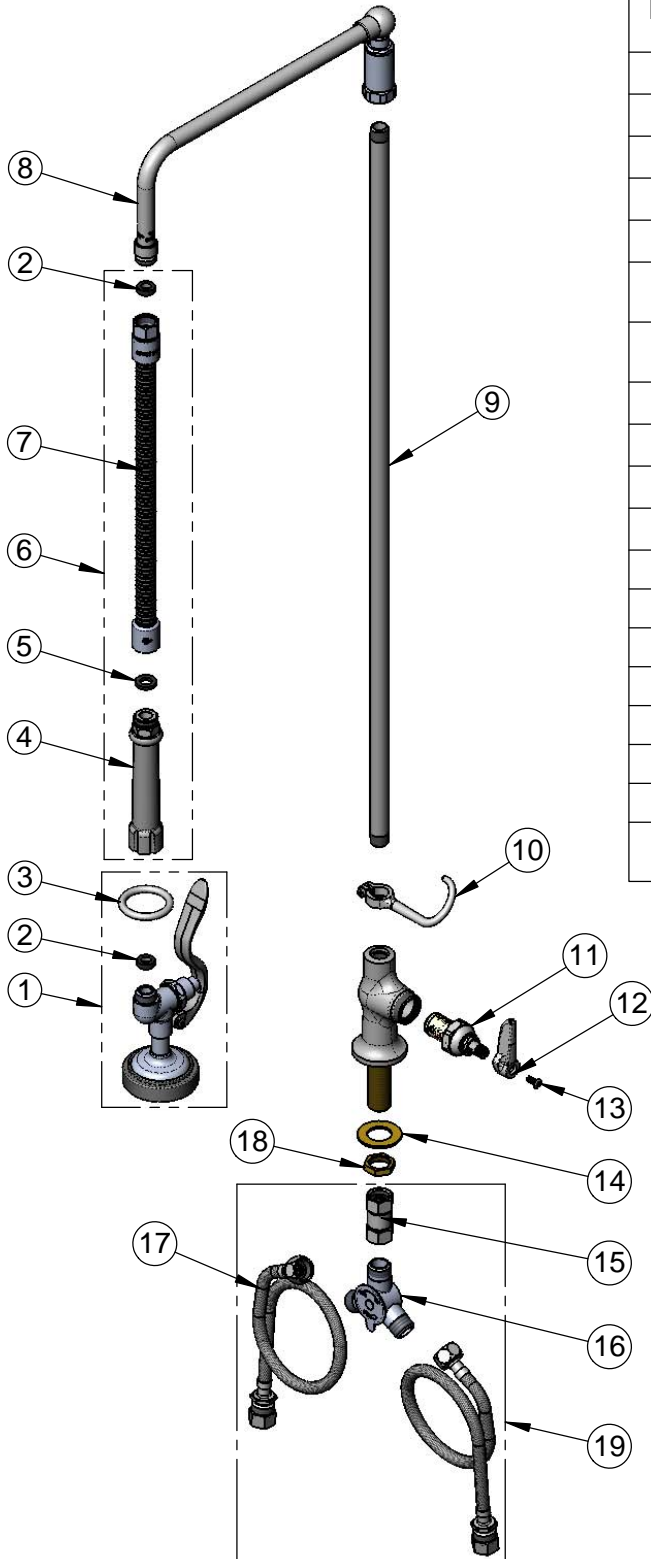
2 Saddleback Cove / P.O. Box 1088  
Travelers Rest, SC 29690

Model No.

**B-0171**

Item No.

Travelers Rest, SC: 800-476-4103 • Simi Valley, CA: 800-423-0150 • Fax: 864-834-3518 • www.tsbrass.com



ITEM NO.	SALES NO.	DESCRIPTION
1	B-0107	1.42 GPM Spray Valve
2	010476-45	#27 Washer
3	000907-45	Spray Valve Hold Down Ring
4	002987-40	Grip Handle
5	001014-45	Washer, B-0100 Hose Barrel
6	B-0020-H	20" Flexible Stainless Steel Hose w/ Handle
7	B-0020-H2A	20" Flexible Stainless Steel Hose - Less Handle
8	002882-40	12" Swivel L-Tube
9	000376-40	3/8" NPT x 32" Riser
10	004R	Finger Hook
11	005960-40	Eterna Cartridge, RTC
12	001638-45	Lever Handle
13	000922-45	Lever Handle Screw
14	000999-45	Brass Lock Washer
15	017506-45	1/2" NPSM Swivel Coupling
16	5EF-0006	Mechanical Mixing Valve
17	019192-45	Flexible Connector Hose (2)
18	002954-45	Shank Lock Nut
19	019321-40	Temperature Control Mixing Valve w/ Flexible 1/2" NPSM Male Inlets

**Product Specifications:**

Single Hole, Single Temperature Deck Mount Mixing Faucet, Eterna Cartridge, Lever Handle, 12" Overhead Swivel Arm, 20" Flexible Stainless Steel Hose, 1.42 GPM Spray Valve, Temperature Control Mixing Valve w/ Integral Check Valves & 18" Flexible Stainless Steel Supply Hoses w/ 1/2" NPSM Male Inlets

**Product Compliance:**

ASME A112.18.1 / CSA B125.1  
NSF 61 - Section 9  
NSF 372 (Low Lead Content)  
EPA Act 2005 (PRSV)