

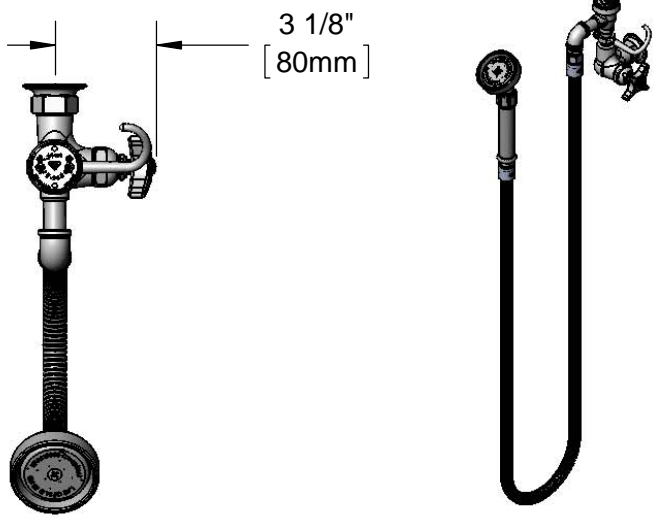


**T&S BRASS AND BRONZE WORKS, INC.**  
 2 Saddleback Cove / P.O. Box 1088  
 Travelers Rest, SC 29690

Model No.  
**B-0170**

Item No.

Travelers Rest, SC: 800-476-4103 • Simi Valley, CA: 800-423-0150 • Fax: 864-834-3518 • www.tsbrass.com



3 1/8"  
 [80mm]

This Space for Architect/Engineer Approval

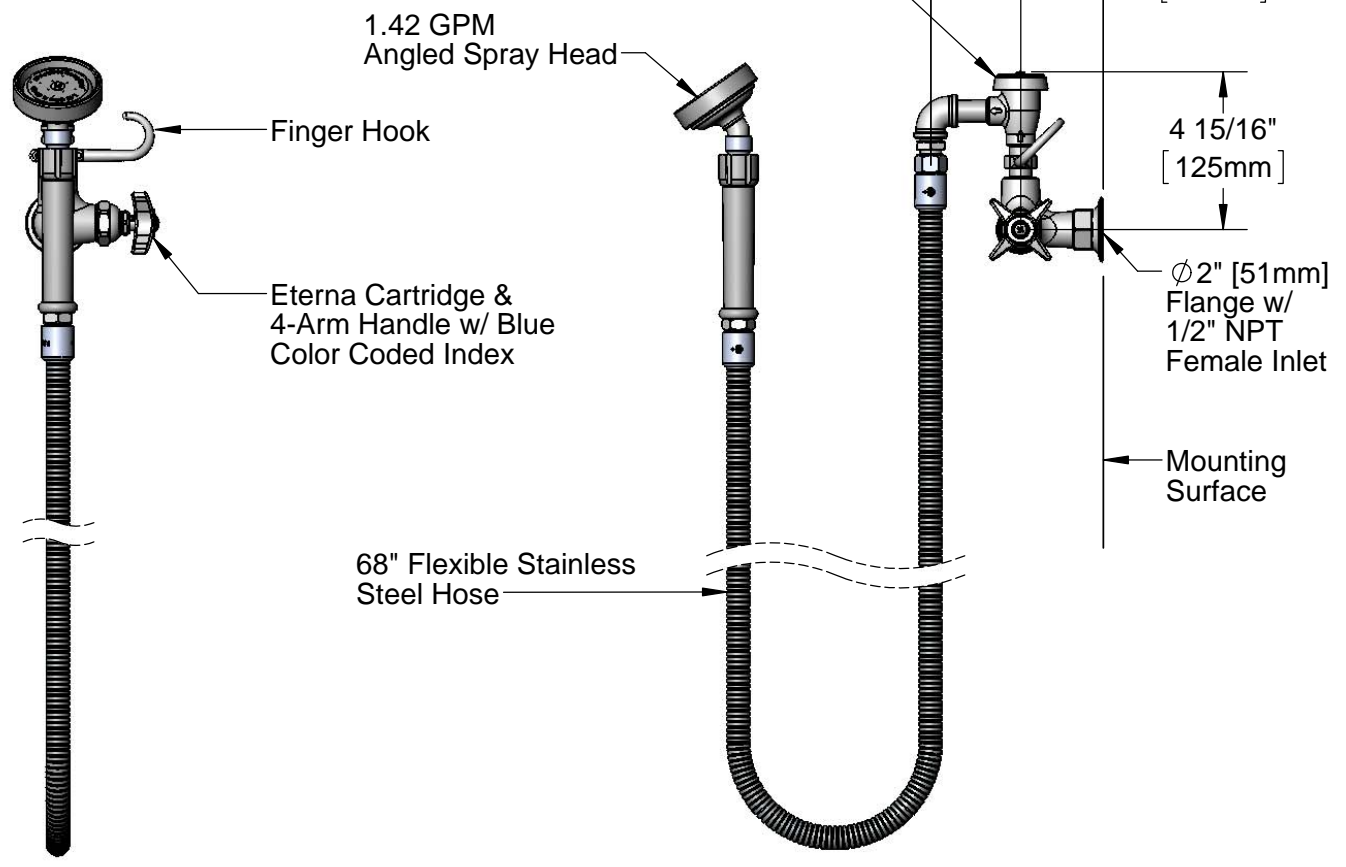
Job Name \_\_\_\_\_ Date \_\_\_\_\_

Model Specified \_\_\_\_\_ Quantity \_\_\_\_\_

Customer/Wholesaler \_\_\_\_\_

Contractor \_\_\_\_\_

Architect/Engineer \_\_\_\_\_



B-0968  
 3/8" NPT  
 Vacuum  
 Breaker

5 3/8"  
 [137mm]

2 9/16"  
 [66mm]

1.42 GPM  
 Angled Spray Head

Finger Hook

Eterna Cartridge &  
 4-Arm Handle w/ Blue  
 Color Coded Index

4 15/16"  
 [125mm]

Ø2" [51mm]  
 Flange w/  
 1/2" NPT  
 Female Inlet

Mounting  
 Surface

68" Flexible Stainless  
 Steel Hose

Product Specifications:  
 Single Hole, Single Temperature Wall Mount Faucet w/ Eterna Cartridge, 4-Arm Handle w/ Blue Color Coded Index, 3/8" NPT Vacuum Breaker, 68" Flexible Stainless Steel Hose, 1.42 GPM Angled Spray Head & 1/2" NPT Female Inlet

Product Compliance:  
 ASME A112.18.1 / CSA B125.1  
 NSF 61 - Section 9  
 NSF 372 (Low Lead Content)  
 EPA Act 2005 (PRSV)  
 ASSE 1001



# T&S BRASS AND BRONZE WORKS, INC.

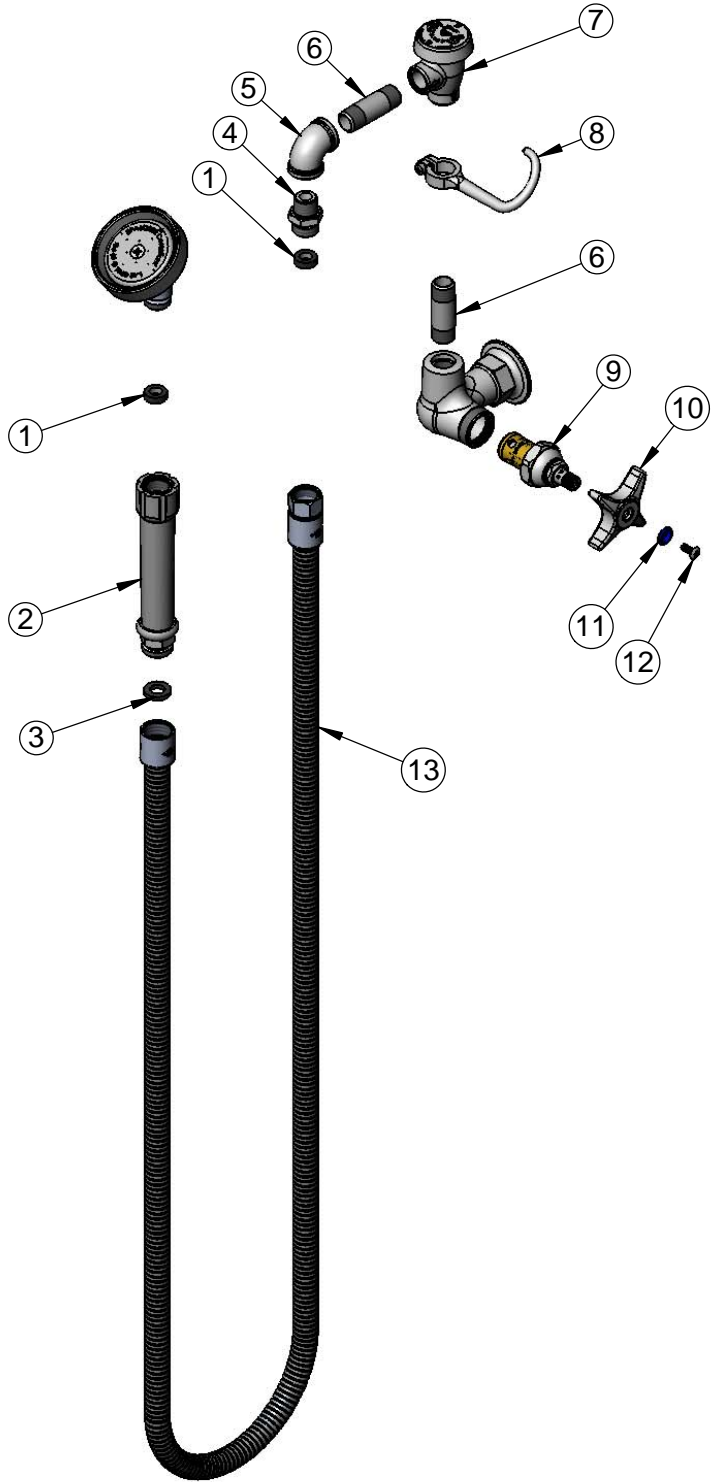
2 Saddleback Cove / P.O. Box 1088  
Travelers Rest, SC 29690

Model No.

**B-0170**

Item No.

Travelers Rest, SC: 800-476-4103 • Simi Valley, CA: 800-423-0150 • Fax: 864-834-3518 • www.tsbrass.com



ITEM NO.	SALES NO.	DESCRIPTION
1	010476-45	#27 Washer
2	002987-40	Grip Handle
3	001014-45	Washer, B-0100 Hose Barrel
4	053A	Adapter, 3/8" NPT Male x 3/4-14 UN
5	001355-40	3/8" NPT Elbow
6	000357-40	Nipple, 3/8" NPT x 2"
7	B-0968	3/8" NPT Vacuum Breaker
8	004R	Finger Hook
9	005960-40	Eterna Cartridge, RTC
10	002521-45	4-Arm Handle
11	001660-45	Blue Index-CW
12	000922-45	Lever Handle Screw
13	B-0068-H2A	68" Flexible Stainless Steel Hose, Less Handle

**Product Specifications:**

Single Hole, Single Temperature Wall Mount Faucet w/ Eterna Cartridge, 4-Arm Handle w/ Blue Color Coded Index, 3/8" NPT Vacuum Breaker, 68" Flexible Stainless Steel Hose, 1.42 GPM Angled Spray Head & 1/2" NPT Female Inlet

**Product Compliance:**

ASME A112.18.1 / CSA B125.1  
NSF 61 - Section 9  
NSF 372 (Low Lead Content)  
EPA Act 2005 (PRSV)  
ASSE 1001