



**T&S BRASS AND BRONZE WORKS, INC.**  
 2 Saddleback Cove / P.O. Box 1088  
 Travelers Rest, SC 29690

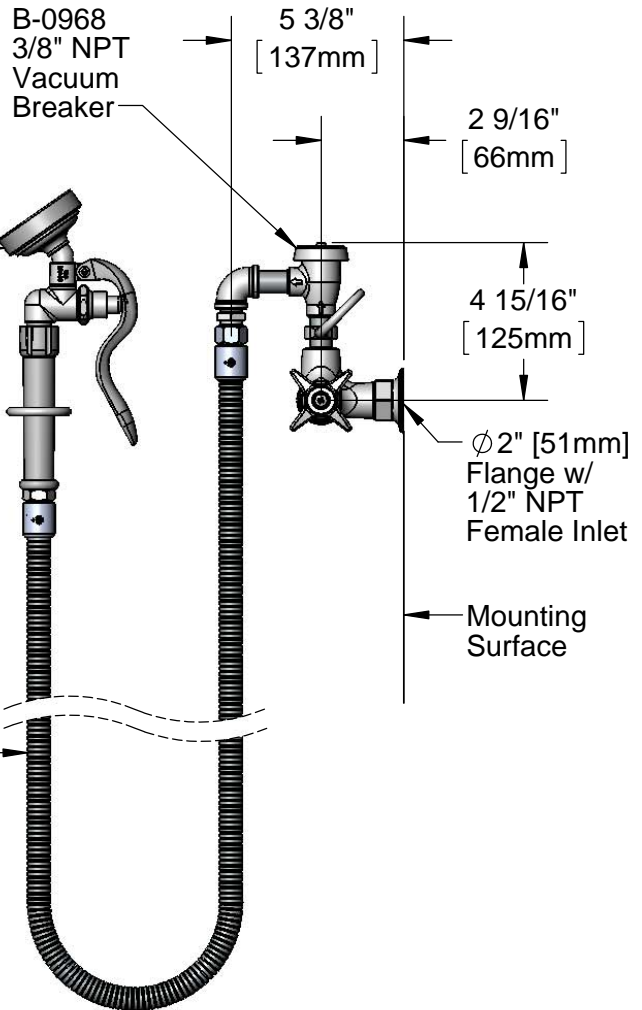
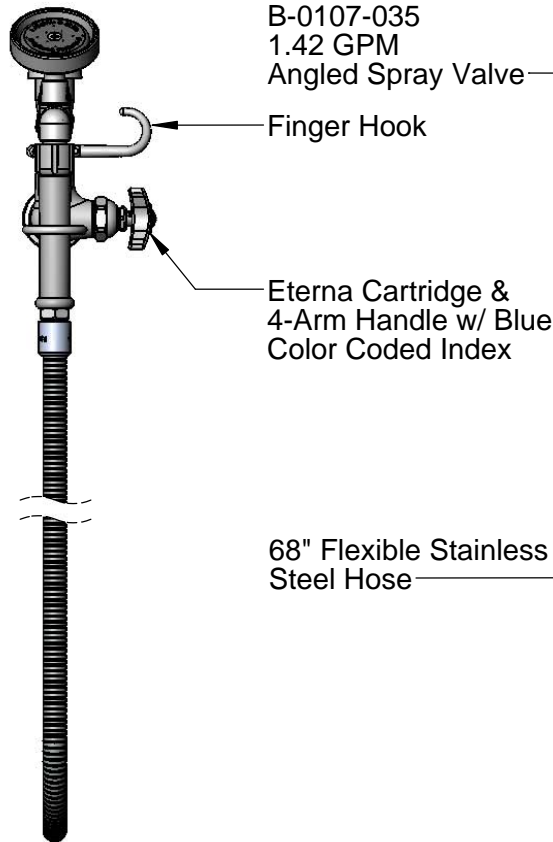
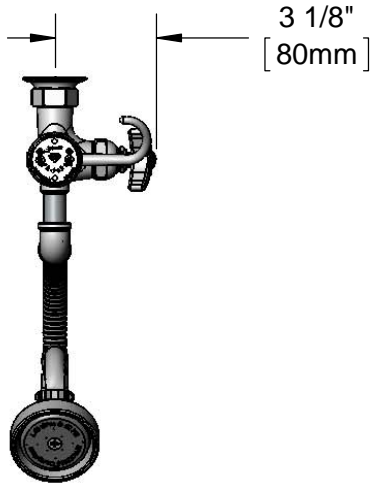
Model No.  
**B-0169**

Item No.

Travelers Rest, SC: 800-476-4103 • Simi Valley, CA: 800-423-0150 • Fax: 864-834-3518 • www.tsbrass.com

This Space for Architect/Engineer Approval

Job Name \_\_\_\_\_ Date \_\_\_\_\_  
 Model Specified \_\_\_\_\_ Quantity \_\_\_\_\_  
 Customer/Wholesaler \_\_\_\_\_  
 Contractor \_\_\_\_\_  
 Architect/Engineer \_\_\_\_\_



Product Specifications:

Single Hole, Single Temperature Wall Mount Faucet w/ Eterna Cartridge, 4-Arm Handle w/ Blue Color Coded Index, 3/8" NPT Vacuum Breaker, 68" Flexible Stainless Steel Hose, 1.42 GPM Angled Spray Valve & 1/2" NPT Female Inlet

Product Compliance:

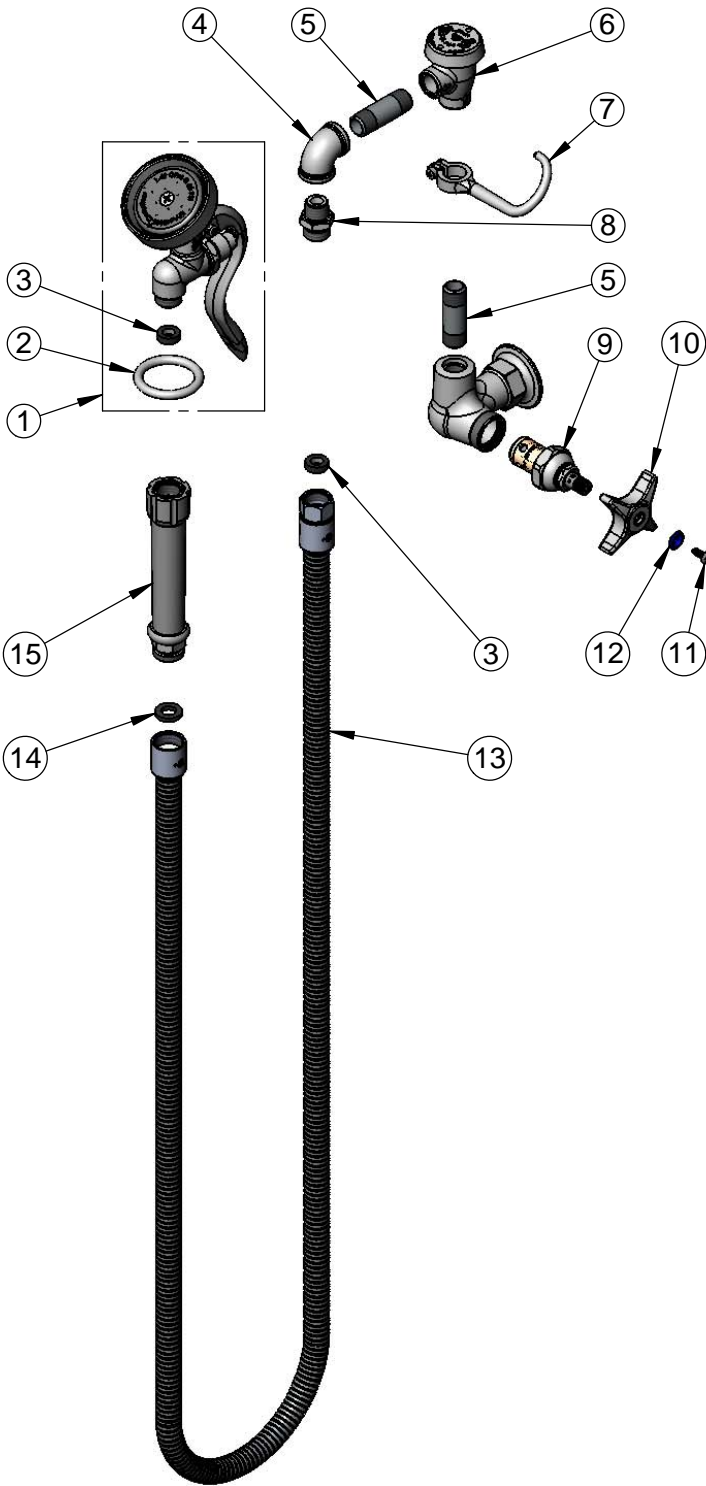
ASME A112.18.1 / CSA B125.1  
 NSF 61 - Section 9  
 NSF 372 (Low Lead Content)  
 EPA Act 2005 (PRSV)  
 ASSE 1001



**T&S BRASS AND BRONZE WORKS, INC.**  
 2 Saddleback Cove / P.O. Box 1088  
 Travelers Rest, SC 29690

Model No.  
**B-0169**  
 Item No.

Travelers Rest, SC: 800-476-4103 • Simi Valley, CA: 800-423-0150 • Fax: 864-834-3518 • www.tsbrass.com



ITEM NO.	SALES NO.	DESCRIPTION
1	B-0107-035	1.42 GPM Angled Spray Valve
2	000907-45	Spray Valve Hold Down Ring
3	010476-45	#27 Washer
4	001355-40	3/8" NPT Elbow
5	000357-40	Nipple, 3/8" NPT x 2"
6	B-0968	3/8" NPT Vacuum Breaker
7	004R	Finger Hook
8	053A	Adapter, 3/8" NPT Male x 3/4-14 UN
9	005960-40	Eterna Cartridge, RTC
10	002521-45	4-Arm Handle
11	000922-45	Lever Handle Screw
12	001660-45	Blue Index-CW
13	B-0068-H2A	68" Flexible Stainless Steel Hose, Less Handle
14	001014-45	Washer, B-0100 Hose Barrel
15	002987-40	Grip Handle

Product Specifications:  
 Single Hole, Single Temperature Wall Mount Faucet w/ Eterna Cartridge, 4-Arm Handle w/ Blue Color Coded Index, 3/8" NPT Vacuum Breaker, 68" Flexible Stainless Steel Hose, 1.42 GPM Angled Spray Valve & 1/2" NPT Female Inlet

Product Compliance:  
 ASME A112.18.1 / CSA B125.1  
 NSF 61 - Section 9  
 NSF 372 (Low Lead Content)  
 EPA Act 2005 (PRSV)  
 ASSE 1001