



**T&S BRASS AND BRONZE WORKS, INC.**

2 Saddleback Cove / P.O. Box 1088  
Travelers Rest, SC 29690

Model No.

**B-0169-102C-96H**

Item No.

Travelers Rest, SC: 800-476-4103 • Simi Valley, CA: 800-423-0150 • Fax: 864-834-3518 • www.tsbrass.com

This Space for Architect/Engineer Approval

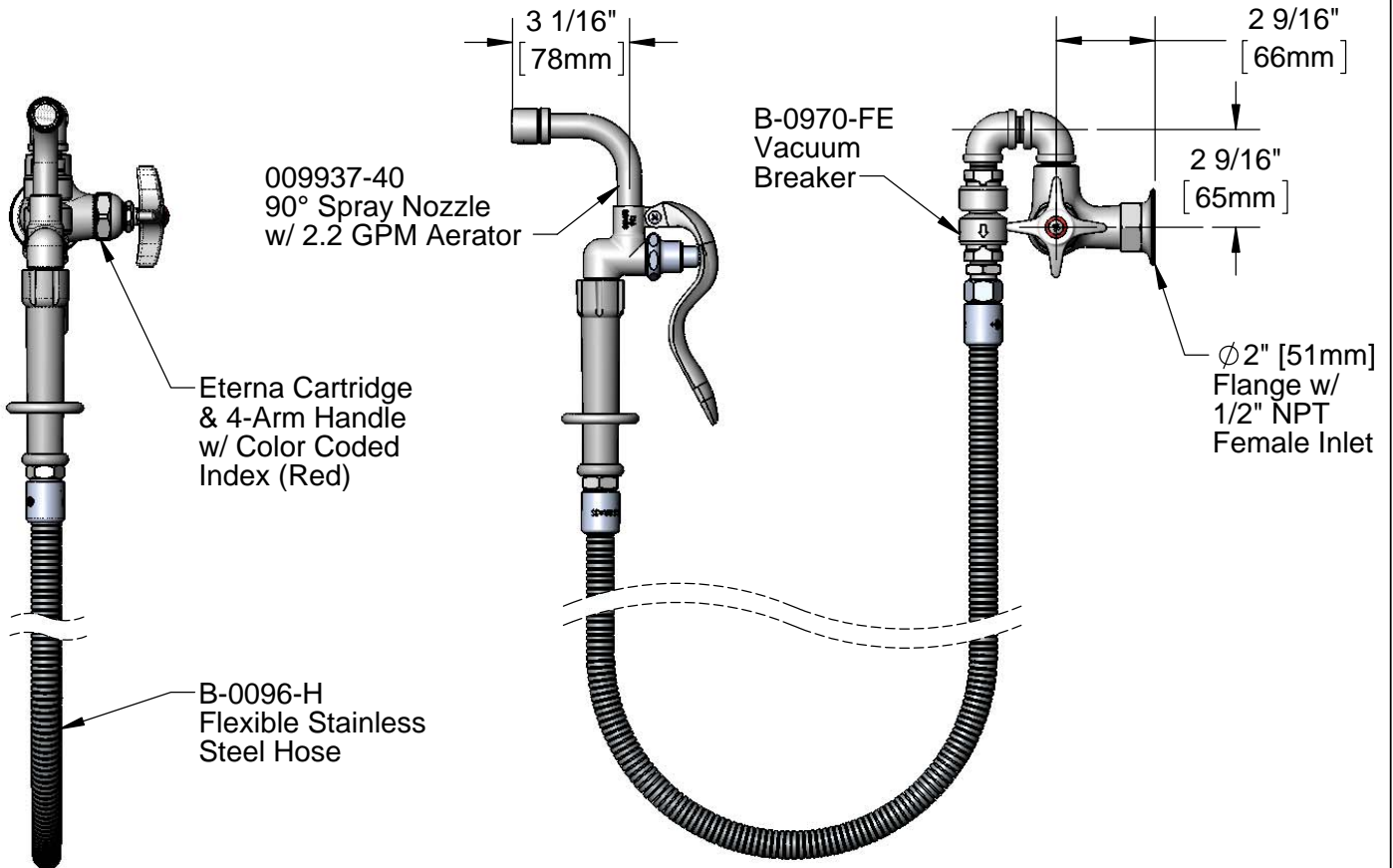
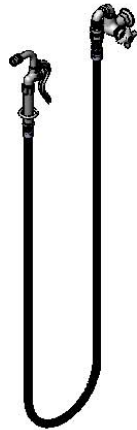
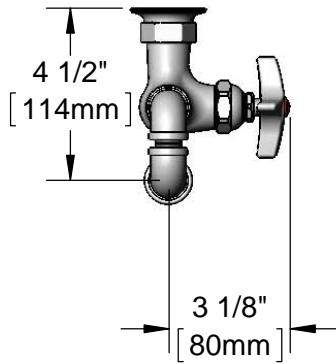
Job Name \_\_\_\_\_ Date \_\_\_\_\_

Model Specified \_\_\_\_\_ Quantity \_\_\_\_\_

Customer/Wholesaler \_\_\_\_\_

Contractor \_\_\_\_\_

Architect/Engineer \_\_\_\_\_



Product Specifications:

Wall Mount Single Faucet, Eterna Cartridge, 96" Flexible Stainless Steel Hose, 90° Spray Nozzle w/ 2.2 GPM Aerator, Vacuum Breaker, Wall Hook & 1/2" NPT Female Inlet

Product Compliance:

ASME A112.18.1 / CSA B125.1  
NSF 61 - Section 9  
NSF 372 (Low Lead Content)  
EPA Act 2005 (PRSV)  
ASSE 1001 (VB)

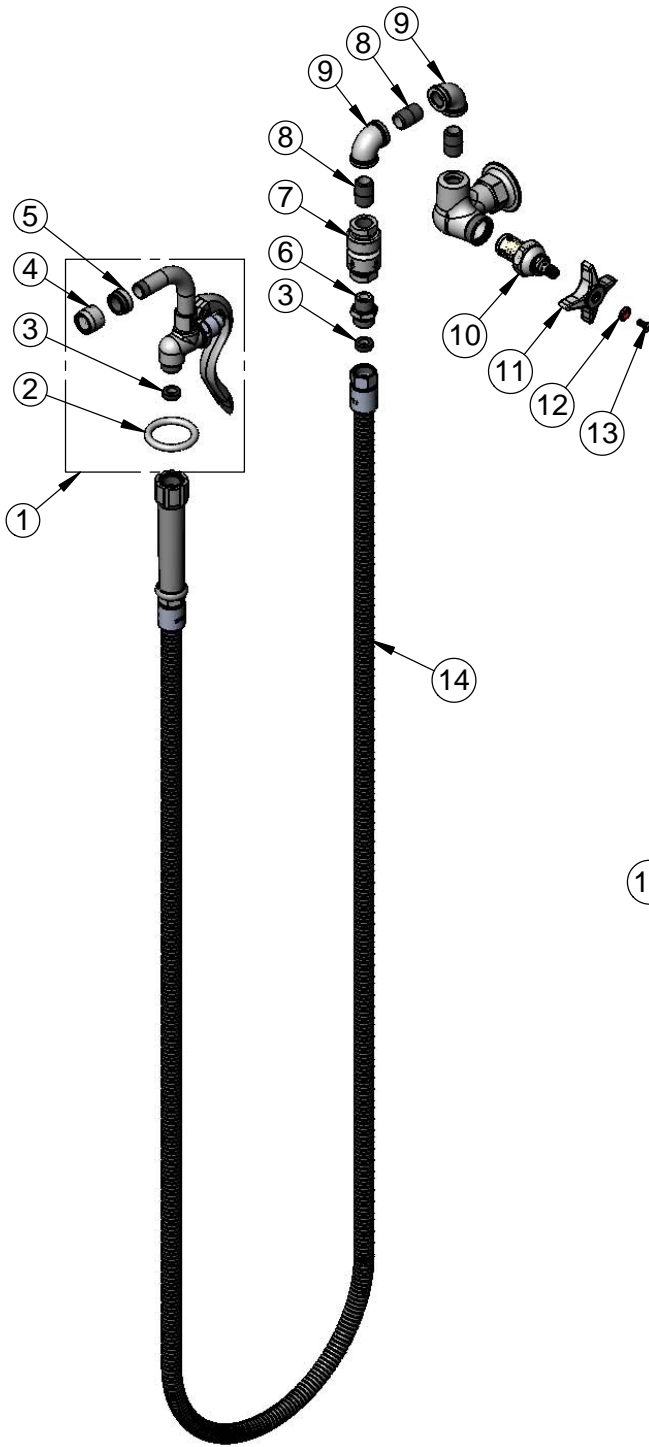


**T&S BRASS AND BRONZE WORKS, INC.**  
 2 Saddleback Cove / P.O. Box 1088  
 Travelers Rest, SC 29690

Model No.  
**B-0169-102C-96H**

Item No.

Travelers Rest, SC: 800-476-4103 • Simi Valley, CA: 800-423-0150 • Fax: 864-834-3518 • www.tsbrass.com



ITEM NO.	SALES NO.	DESCRIPTION
1	009937-40	90° Spray Nozzle w/ 2.2 GPM Aerator
2	000907-45	Spray Valve Hold Down Ring
3	010476-45	#27 Washer
4	B-0199-01	2.2 GPM Aerator, 55/64"-27 UN Female
5	000554-25	Adapter, 55/64-27 Male x 5/8-27 Female
6	053A	Adapter, 3/8" NPT Male
7	B-0970-FE	3/8" NPT Vacuum Breaker
8	002535-25	3/8" Close Nipple
9	001355-40	Elbow, 3/8 NPT
10	009744-25	Cerama Cartridge, RTC
11	002521-45	4-Arm Handle
12	001661-45	Red Index-HW
13	000922-45	Lever Handle Screw
14	B-0096-H	96" Flexible Stainless Steel Hose
15	B-0166	Wall Hook w/ Mounting Hardware



Product Specifications:  
 Wall Mount Single Faucet, Eterna Cartridge, 96" Flexible Stainless Steel Hose, 90° Spray Nozzle w/ 2.2 GPM Aerator, Vacuum Breaker, Wall Hook & 1/2" NPT Female Inlet

Product Compliance:  
 ASME A112.18.1 / CSA B125.1  
 NSF 61 - Section 9  
 NSF 372 (Low Lead Content)  
 EPA Act 2005 (PRSV)  
 ASSE 1001 (VB)