



T&S BRASS AND BRONZE WORKS, INC.

2 Saddleback Cove / P.O. Box 1088
Travelers Rest, SC 29690

Model No.

B-0169-01

Item No.

Travelers Rest, SC: 800-476-4103 • Simi Valley, CA: 800-423-0150 • Fax: 864-834-3518 • www.tsbrass.com

This Space for Architect/Engineer Approval

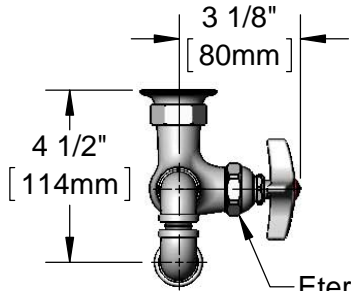
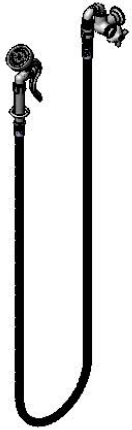
Job Name _____ Date _____

Model Specified _____ Quantity _____

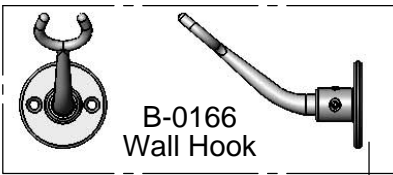
Customer/Wholesaler _____

Contractor _____

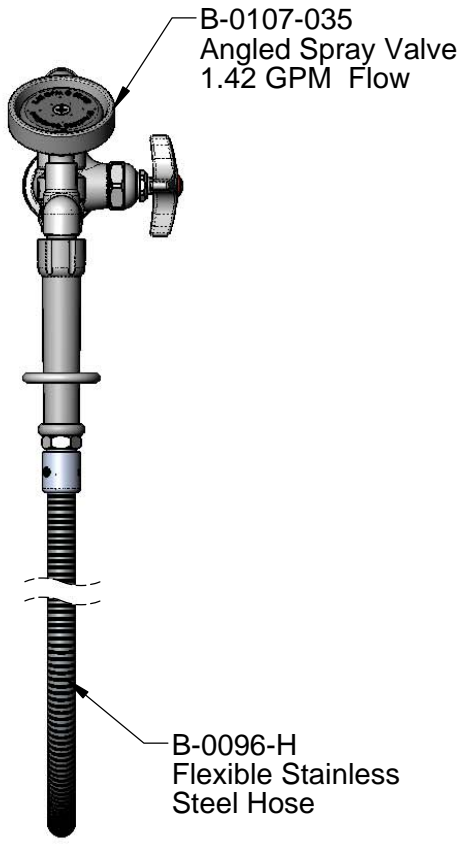
Architect/Engineer _____



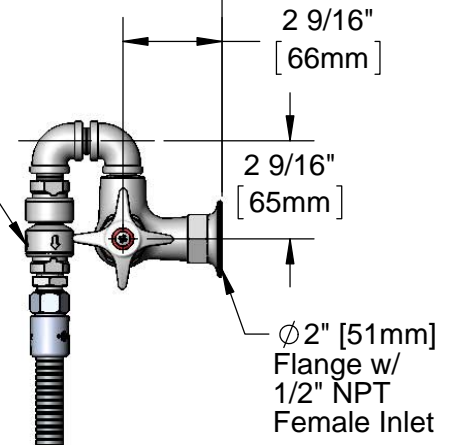
Eterna Cartridge & 4-Arm Handle w/ Color Coded Index (Red)



B-0166 Wall Hook



B-0970-FE Vacuum Breaker



Ø2" [51mm] Flange w/ 1/2" NPT Female Inlet

Product Specifications:
Wall Mount Single Faucet, Eterna Cartridge, 96" Flexible Stainless Steel Hose w/ 1.42 GPM Angled Spray Valve, 4-Arm Handle, Vacuum Breaker, Wall Hook & 1/2" NPT Female Inlet

Product Compliance:
ASME A112.18.1 / CSA B125.1
NSF 61 - Section 9
NSF 372 (Low Lead Content)
EPA Act 2005 (PRSV)
ASSE 1001 (VB)

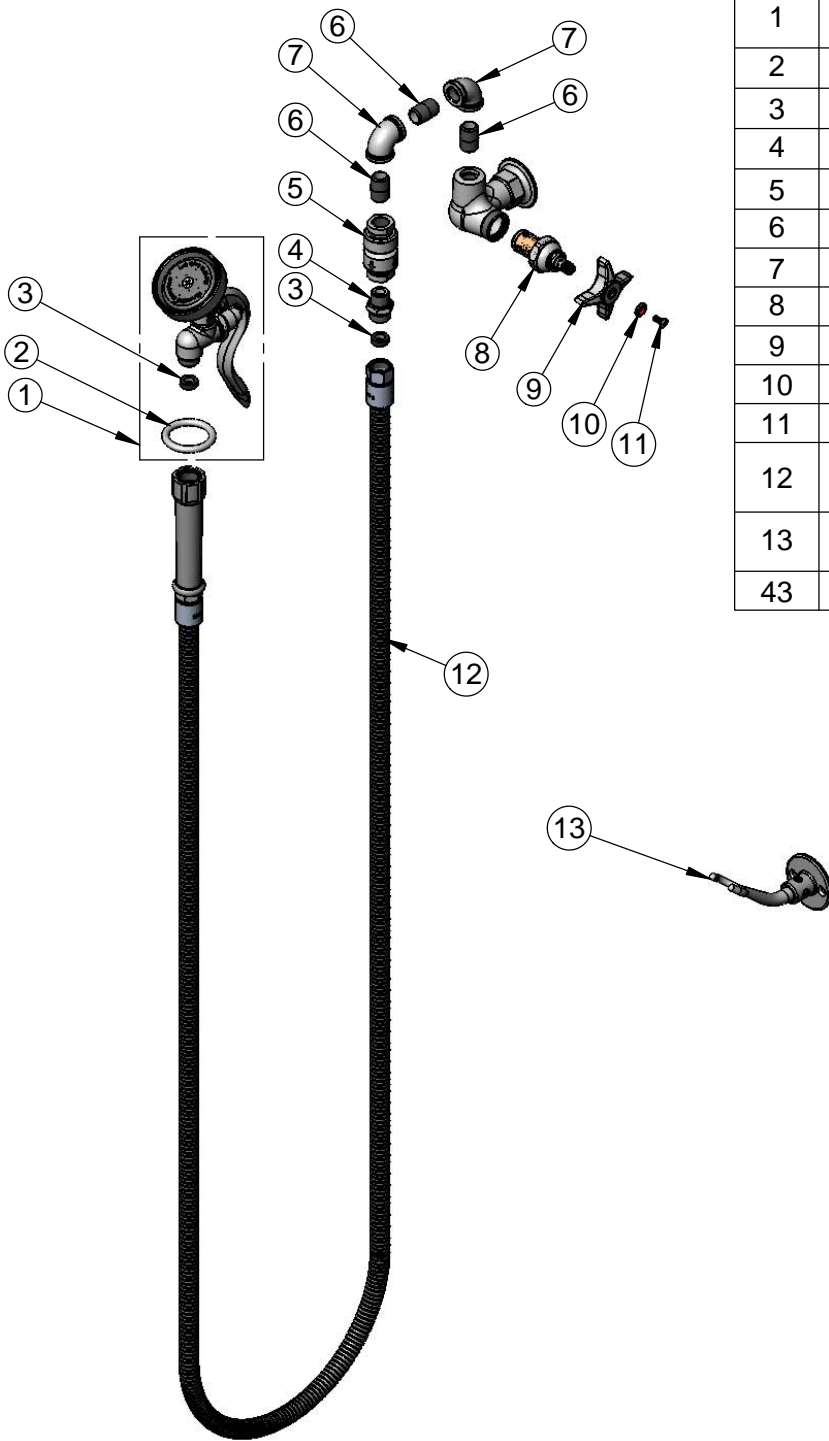


T&S BRASS AND BRONZE WORKS, INC.
 2 Saddleback Cove / P.O. Box 1088
 Travelers Rest, SC 29690

Model No.
B-0169-01

Item No.

Travelers Rest, SC: 800-476-4103 • Simi Valley, CA: 800-423-0150 • Fax: 864-834-3518 • www.tsbrass.com



ITEM NO.	SALES NO.	DESCRIPTION
1	B-0107-035	1.42 GPM Gray Angled Spray Valve
2	000907-45	Spray Valve Hold Down Ring
3	010476-45	#27 Washer
4	053A	Adapter, 3/8" NPT Male
5	B-0970-FE	3/8" NPT Vacuum Breaker
6	002535-25	3/8" Close Nipple
7	001355-40	Elbow, 3/8 NPT
8	005960-40	Eterna Cartridge, RTC
9	002521-45	4-Arm Handle
10	001661-45	Red Index-HW
11	000922-45	Lever Handle Screw
12	B-0096-H	96" Flexible Stainless Steel Hose
13	B-0166	Wall Hook w/ Mounting Hardware
43		

Product Specifications:

Wall Mount Single Faucet, Eterna Cartridge, 96" Flexible Stainless Steel Hose w/ 1.42 GPM Angled Spray Valve, 4-Arm Handle, Vacuum Breaker, Wall Hook & 1/2" NPT Female Inlet

Product Compliance:

ASME A112.18.1 / CSA B125.1
 NSF 61 - Section 9
 NSF 372 (Low Lead Content)
 EPA Act 2005 (PRSV)
 ASSE 1001 (VB)