



T&S BRASS AND BRONZE WORKS, INC.

2 Saddleback Cove / P.O. Box 1088
Travelers Rest, SC 29690

Model No.

B-0165

Item No.

Travelers Rest, SC: 800-476-4103 • Simi Valley, CA: 800-423-0150 • Fax: 864-834-3518 • www.tsbrass.com

Notes:

1. The Add-On Faucet is an Addition to Pre-Rinse Units and is Installed in Outlets of Base Mixing Faucets of Units Before Fitting Riser Pipes
2. Lever Handle Controls Water On-Off Thru Washdown Hose Only. Pressure is Always "On" in the Riser Pipe (Controlled by Base Mixing Faucet)

This Space for Architect/Engineer Approval

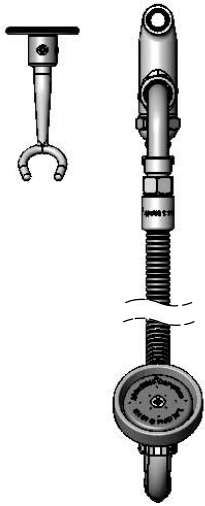
Job Name _____ Date _____

Model Specified _____ Quantity _____

Customer/Wholesaler _____

Contractor _____

Architect/Engineer _____



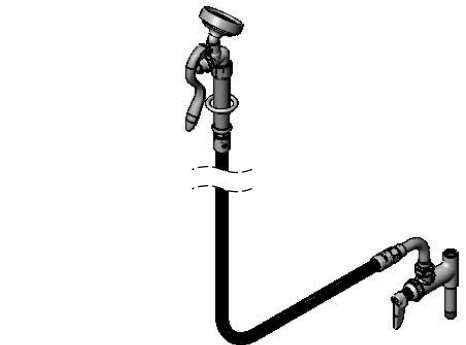
B-0107-035
1.42 GPM
Angled Spray Valve

104" Flexible
Stainless Steel
Hose

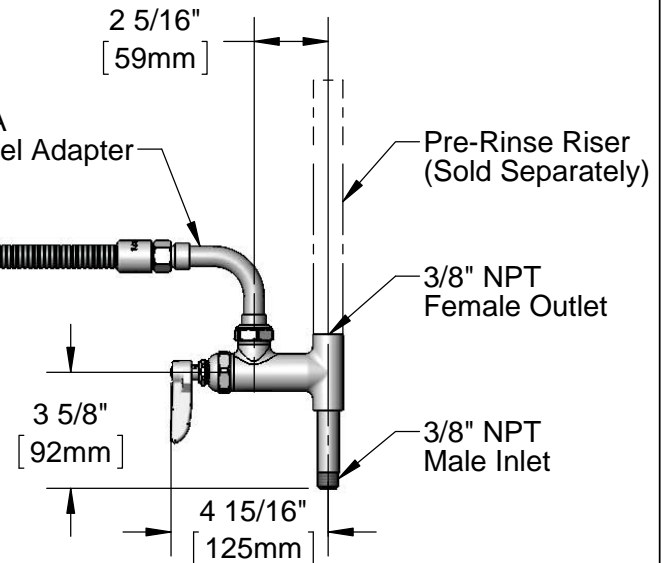
Quarter-Turn
Eterna Cartridge &
Lever Handle



034A
Swivel Adapter



B-0166
Hanger Hook
w/ Chrome
Plated Screws



Product Specifications:

Washdown Hose Unit, Quarter-Turn Eterna Cartridge, Lever Handle, 104" Flexible Stainless Steel Hose, 1.42 GPM Angled Spray Valve & Hanger Hook

Product Compliance:

ASME A112.18.1 / CSA B125.1
NSF 61 - Section 9
NSF 372 (Low Lead Content)
EPA Act 2005 (PRSV)



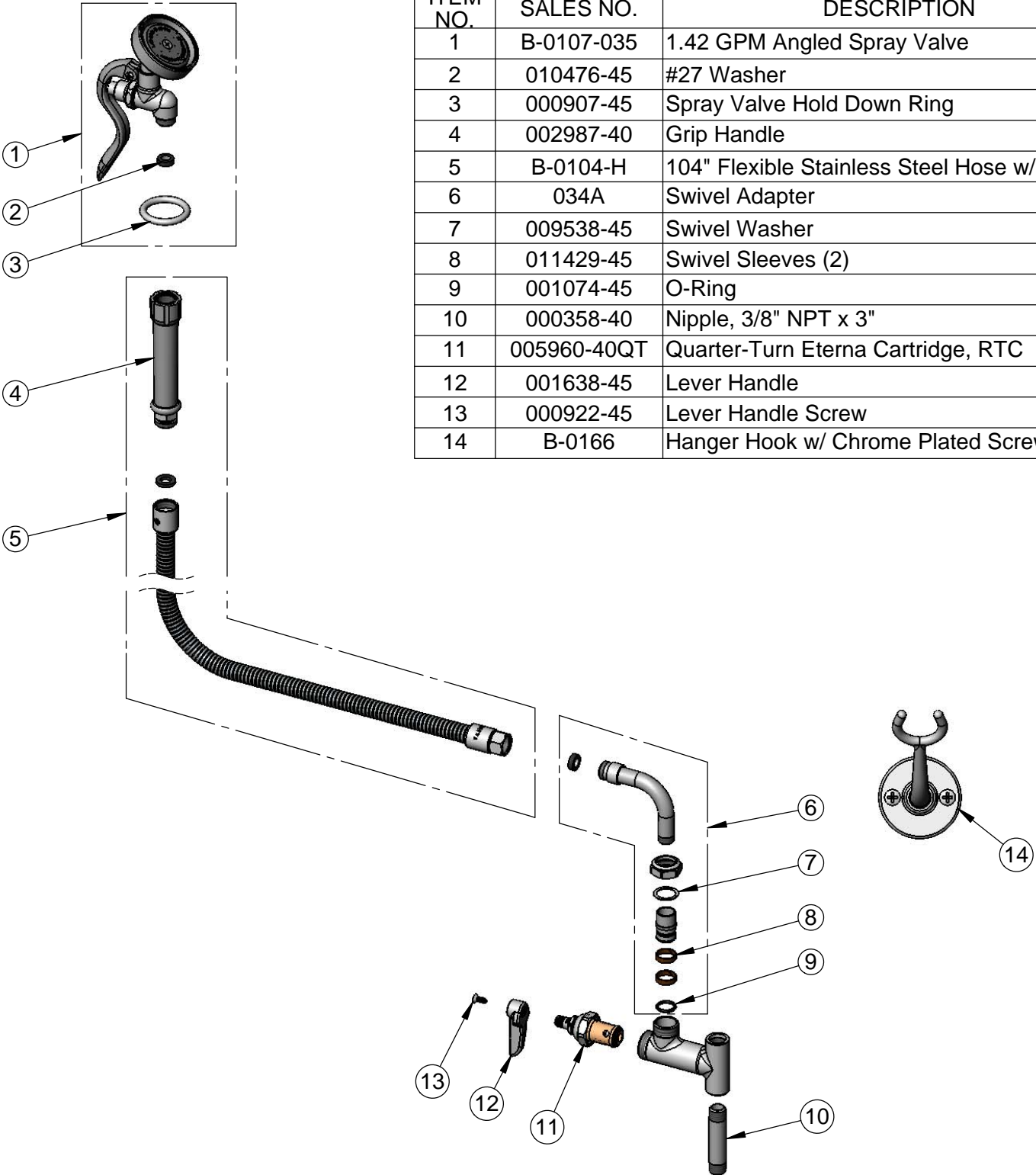
T&S BRASS AND BRONZE WORKS, INC.
 2 Saddleback Cove / P.O. Box 1088
 Travelers Rest, SC 29690

Model No.
B-0165

Item No.

Travelers Rest, SC: 800-476-4103 • Simi Valley, CA: 800-423-0150 • Fax: 864-834-3518 • www.tsbrass.com

ITEM NO.	SALES NO.	DESCRIPTION
1	B-0107-035	1.42 GPM Angled Spray Valve
2	010476-45	#27 Washer
3	000907-45	Spray Valve Hold Down Ring
4	002987-40	Grip Handle
5	B-0104-H	104" Flexible Stainless Steel Hose w/ Handle
6	034A	Swivel Adapter
7	009538-45	Swivel Washer
8	011429-45	Swivel Sleeves (2)
9	001074-45	O-Ring
10	000358-40	Nipple, 3/8" NPT x 3"
11	005960-40QT	Quarter-Turn Eterna Cartridge, RTC
12	001638-45	Lever Handle
13	000922-45	Lever Handle Screw
14	B-0166	Hanger Hook w/ Chrome Plated Screws



Product Specifications:
 Washdown Hose Unit, Quarter-Turn Eterna Cartridge, Lever Handle,
 104" Flexible Stainless Steel Hose, 1.42 GPM Angled Spray Valve &
 Hanger Hook

Product Compliance:
 ASME A112.18.1 / CSA B125.1
 NSF 61 - Section 9
 NSF 372 (Low Lead Content)
 EPA Act 2005 (PRSV)