



T&S BRASS AND BRONZE WORKS, INC.

2 Saddleback Cove / P.O. Box 1088
Travelers Rest, SC 29690

Model No.

B-0142

Item No.

Travelers Rest, SC: 800-476-4103 • Simi Valley, CA: 800-423-0150 • Fax: 864-834-3518 • www.tsbrass.com

This Space for Architect/Engineer Approval

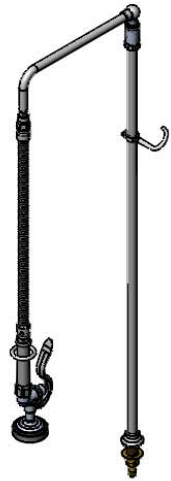
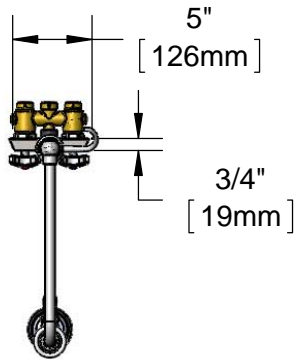
Job Name _____ Date _____

Model Specified _____ Quantity _____

Customer/Wholesaler _____

Contractor _____

Architect/Engineer _____



Items Not Shown For Clarity

Finger Hook

26" Flexible Stainless Steel Hose, Spring & Spray Valve

B-0107
1.42 GPM
Spray Valve

39 15/16" [1015mm]

3/8" NPT x 24"

Ø 1 11/16" [43mm]
Rigid Deck Flange

6 1/2" [165mm]

11 5/16" [287mm]

Mounting Surface

1 1/8" [29mm]
Maximum Thickness

1 11/16" [44mm]

150A
Tailpiece & Nut
Furnished for
Optional 1/4" NPT
Connection

4 15/16" [126mm]

B-0512
Base Faucet w/ Eterna
Cartridges, 4-Arm
Handles & Color Coded
Indexes

Piping Supplied By Customer

Rough-In Requirement:
Ø 1" [25mm] Mounting Hole

Product Specifications:

Pre-Rinse Unit: Single Hole Deck Mount Dummy Pre-Rinse and Remote Control Valve, Eterna Cartridges, 4-Arm Handles, 1.42 GPM Spray Valve, 38" Riser, 12" Overhead Swivel Arm & 1/2" NPT Female Inlets

Product Compliance:

ASME A112.18.1 / CSA B125.1
NSF 61 - Section 9
NSF 372 (Low Lead Content)
EPA 2005 (PRSV)



T&S BRASS AND BRONZE WORKS, INC.

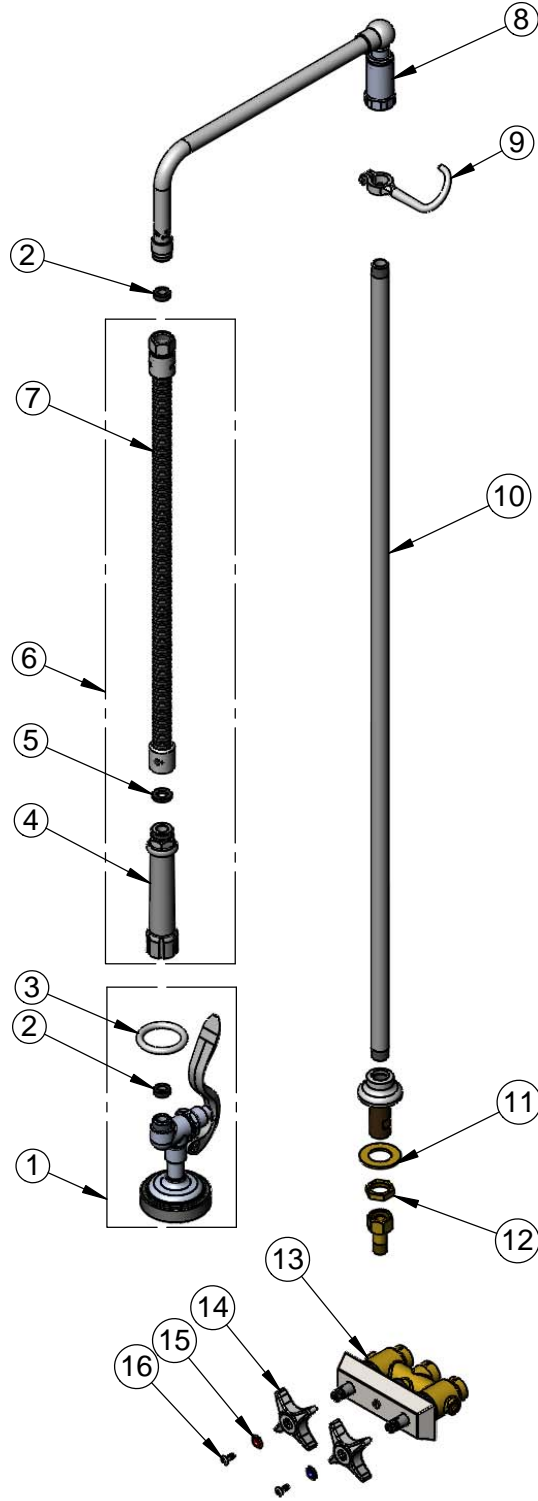
2 Saddleback Cove / P.O. Box 1088
Travelers Rest, SC 29690

Model No.

B-0142

Item No.

Travelers Rest, SC: 800-476-4103 • Simi Valley, CA: 800-423-0150 • Fax: 864-834-3518 • www.tsbrass.com



ITEM NO.	SALES NO.	DESCRIPTION
1	B-0107	1.42 GPM Spray Valve
2	010476-45	#27 Washer
3	000907-45	Spray Valve Hold Down Ring
4	002987-40	Grey Handle Grip
5	001014-45	Washer, B-0100 Hose Barrel
6	B-0026-H	26" Flexible Stainless Steel Hose
7	B-0026-H2A	26" Flexible Stainless Steel Hose, Less Handle
8	002882-40	12" Swivel L-Tube
9	004R	Finger Hook
10	000377-40	3/8" NPT x 38" Riser
11	000999-45	Brass Lock Washer
12	002954-45	Shank Lock Nut
13	B-0512	Concealed Mixing Valve
14	002521-45	4-Arm Handle
15	001661-45	Red Index-HW
16	000922-45	Lever Handle Screw

Product Specifications:

Pre-Rinse Unit: Single Hole Deck Mount Dummy Pre-Rinse and Remote Control Valve, Eterna Cartridges, 4-Arm Handles, 1.42 GPM Spray Valve, 38" Riser, 12" Overhead Swivel Arm & 1/2" NPT Female Inlets

Product Compliance:

ASME A112.18.1 / CSA B125.1
NSF 61 - Section 9
NSF 372 (Low Lead Content)
EPA Act 2005 (PRSV)