



# T&S BRASS AND BRONZE WORKS, INC.

2 Saddleback Cove / P.O. Box 1088  
Travelers Rest, SC 29690

Model No.

**B-0140-01**

Item No.

Travelers Rest, SC: 800-476-4103 • Simi Valley, CA: 800-423-0150 • Fax: 864-834-3518 • www.tsbrass.com

This Space for Architect/Engineer Approval

Job Name \_\_\_\_\_ Date \_\_\_\_\_

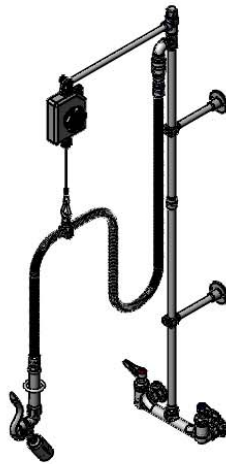
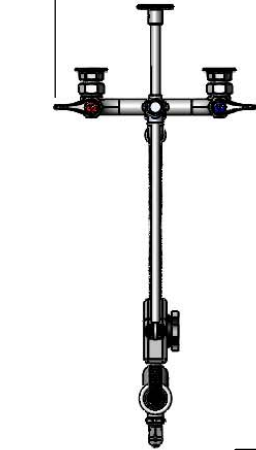
Model Specified \_\_\_\_\_ Quantity \_\_\_\_\_

Customer/Wholesaler \_\_\_\_\_

Contractor \_\_\_\_\_

Architect/Engineer \_\_\_\_\_

12 5/8"  
[321mm]



Items Not Shown  
For Clarity

3/8" NPT x  
18" Riser

3/8" Pipe  
Coupling

3/8" NPT x  
24" Riser

EasyInstall  
Lock Nut &  
Bushing

3 11/16"  
[93mm]

8"  
[203mm]

Adjustable From  
7 3/4" to 8 1/4"  
[197mm to 210mm]

68" Flexible  
Stainless  
Steel Hose

B-0107-C35  
0.65 GPM  
Low Flow Angled  
Spray Valve

Quarter-Turn  
Cerama Cartridges  
w/ Check Valves &  
Lever Handles w/  
Color Coded Indexes

Ø2" [51mm]  
Flanges w/  
1/2" NPT  
Female Inlets

14"  
[356mm]

Balancer

B-0109-01  
6" Wall  
Bracket

47 1/8"  
[1197mm]

B-0109-01  
6" Wall  
Bracket

**Product Specifications:**

Pre-Rinse Unit: 8" Wall Mount Mixing Faucet, Quarter-Turn Cerama Cartridges w/ Check Valves, Lever Handles, 18" & 24" Risers, 6" Wall Bracket, 14" Extension Arm, Balancer, 0.65 GPM Angled Low Flow Spray Valve, 68" Flexible Stainless Steel Hose and 1/2" NPT Female Inlets

**Product Compliance:**

ASME A112.18.1 / CSA B125.1  
NSF 61 - Section 9  
NSF 372 (Low Lead Content)  
EPA 2005 (PRSV)



# T&S BRASS AND BRONZE WORKS, INC.

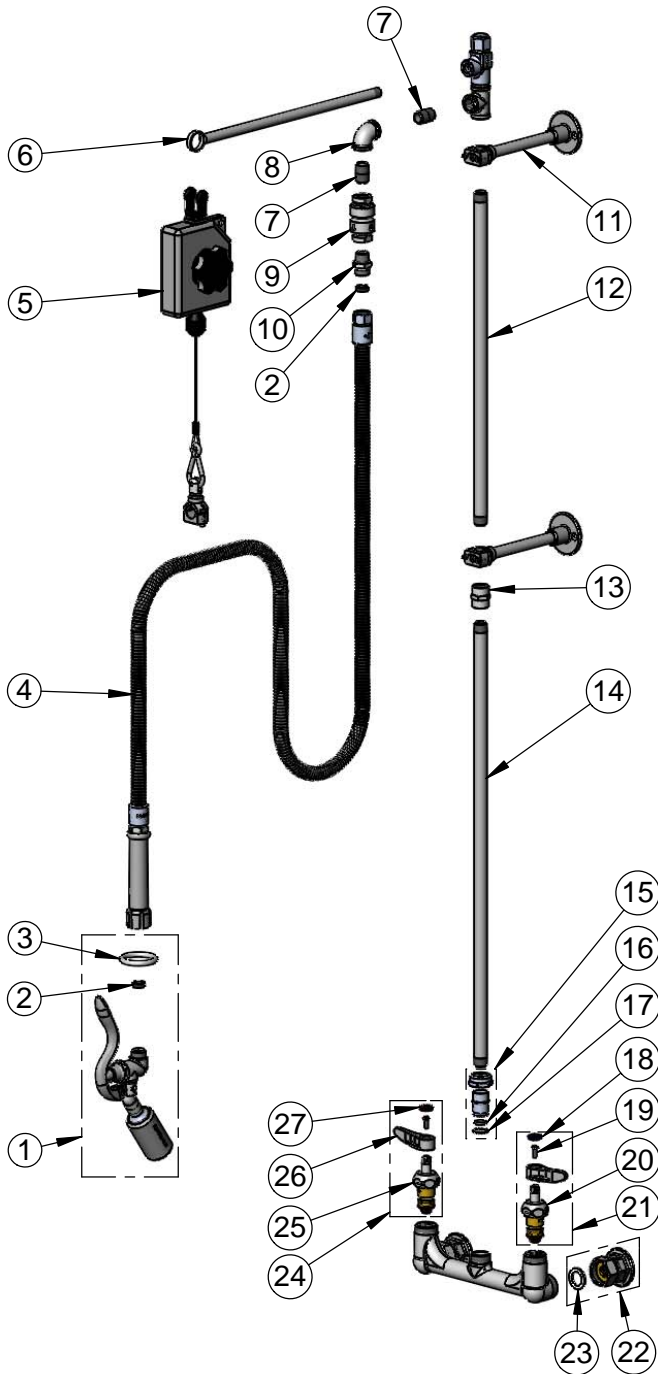
2 Saddleback Cove / P.O. Box 1088  
Travelers Rest, SC 29690

Model No.

**B-0140-01**

Item No.

Travelers Rest, SC: 800-476-4103 • Simi Valley, CA: 800-423-0150 • Fax: 864-834-3518 • www.tsbrass.com



ITEM NO.	SALES NO.	DESCRIPTION
1	B-0107-C35	0.65 GPM Low Flow Angled Spray Valve
2	010476-45	#27 Washer
3	000907-45	Spray Valve Hold Down Ring
4	B-0068-H	68" Flexible Stainless Steel Hose w/ Grip Handle
5	005311-40	Balancer
6	005252-40	Extension Arm, Chrome Plated
7	002535-25	3/8" Close Nipple
8	001355-40	Elbow, 3/8 NPT
9	B-0970-FE	3/8" NPT Vacuum Breaker
10	053A	Adapter, 3/8" NPT Male
11	B-0109-01	6" Wall Bracket
12	000369-40	3/8" NPT x 18" Riser
13	001769-40	Coupling, 3/8" NPT
14	000372-40	3/8" NPT x 24" Riser
15	EZ-K	EasyInstall Kit
16	001065-45	O-Ring
17	014200-45	Star Washer, Anti-Rotation
18	018506-19NS	Blue Button Index, Press-in
19	000925-45	Lab Handle Screw
20	012395-25NS	Quarter-Turn Cerama Cartridge w/ Check Valve, LTC
21	012447-25NS	Quarter-Turn Cerama Cartridge w/ Check Valve, Handle, Blue Index & Screw, LTC
22	00AA	1/2" NPT Female Eccentric Flange
23	001019-45	Coupling Nut Washer
24	012446-25NS	Quarter-Turn Cerama Cartridge w/ Check Valve, Handle, Red Index & Screw, RTC
25	012394-25NS	Quarter-Turn Cerama Cartridge w/ Check Valve, RTC
26	001638-45NS	Lever Handle (New Style)
27	001193-19NS	Red Button Index, Press-in

**Product Specifications:**

Pre-Rinse Unit: 8" Wall Mount Mixing Faucet, Quarter-Turn Cerama Cartridges w/ Check Valves, Lever Handles, 18" & 24" Risers, 6" Wall Bracket, 14" Extension Arm, Balancer, 0.65 GPM Angled Low Flow Spray Valve, 68" Flexible Stainless Steel Hose and 1/2" NPT Female Inlets

**Product Compliance:**

ASME A112.18.1 / CSA B125.1  
NSF 61 - Section 9  
NSF 372 (Low Lead Content)  
EPA 2005 (PRSV)