



T&S BRASS AND BRONZE WORKS, INC.

2 Saddleback Cove / P.O. Box 1088
Travelers Rest, SC 29690

Model No.

B-0133-V-B-68H

Item No.

Travelers Rest, SC: 800-476-4103 • Simi Valley, CA: 800-423-0150 • Fax: 864-834-3518 • www.tsbrass.com

This Space for Architect/Engineer Approval

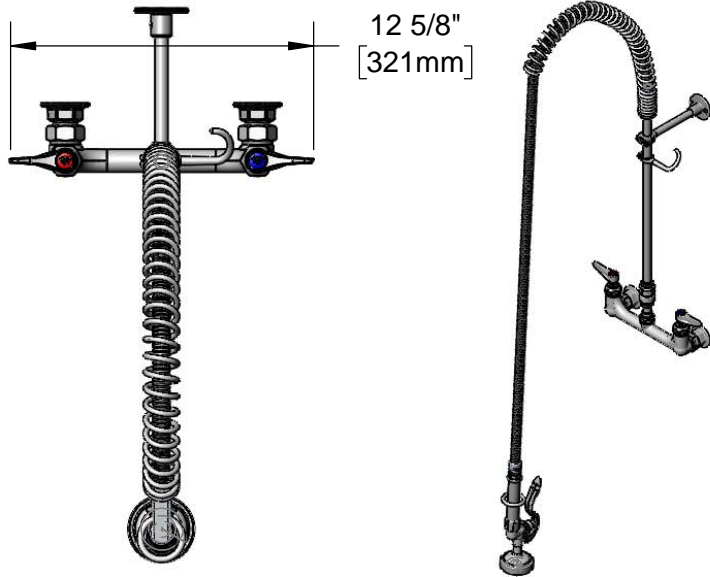
Job Name _____ Date _____

Model Specified _____ Quantity _____

Customer/Wholesaler _____

Contractor _____

Architect/Engineer _____



12 5/8"
[321mm]

B-0970-FEZ
Continuous
Pressure
Vacuum
Breaker

EasyInstall
Lock Nut &
Bushing

3 11/16"
[94mm]

8"
[203mm]
Adjustable From
7 3/4" to 8 1/4"
[197mm to 210mm]

Items Not Shown
For Clarity

68" Flexible Stainless
Steel Hose w/ Spring
& Spray Valve

Finger Hook

3/8" NPT x 18" Riser

Quarter-Turn
Eterna Cartridges w/
Spring Checks &
Lever Handles w/
Color Coded Indexes

B-0107
1.42 GPM
Spray Valve

B-0109-01
6" Wall
Bracket

2 3/8"
[61mm]

36 7/8"
[937mm]

Ø2" [51mm]
Flanges w/
1/2" NPT
Female Inlets

Mounting
Surface

16 5/8"
[422mm]

15 3/8"
[390mm]

Product Specifications:

Pre-Rinse Unit: EasyInstall 8" Wall Mount Mixing Faucet, Quarter-Turn Eterna Cartridges w/ Spring Checks, Lever Handles, 18" Riser, 68" Flexible Stainless Steel Hose, 1.42 GPM Spray Valve, 6" Wall Bracket, 3/8" NPT EasyInstall Vacuum Breaker & 1/2" NPT Female Inlets

Product Compliance:

ASME A112.18.1 / CSA B125.1
NSF 61 - Section 9
NSF 372 (Low Lead Content)
EPA Act 2005 (PRSV)
CSA B64.8 (VB)



T&S BRASS AND BRONZE WORKS, INC.

2 Saddleback Cove / P.O. Box 1088
Travelers Rest, SC 29690

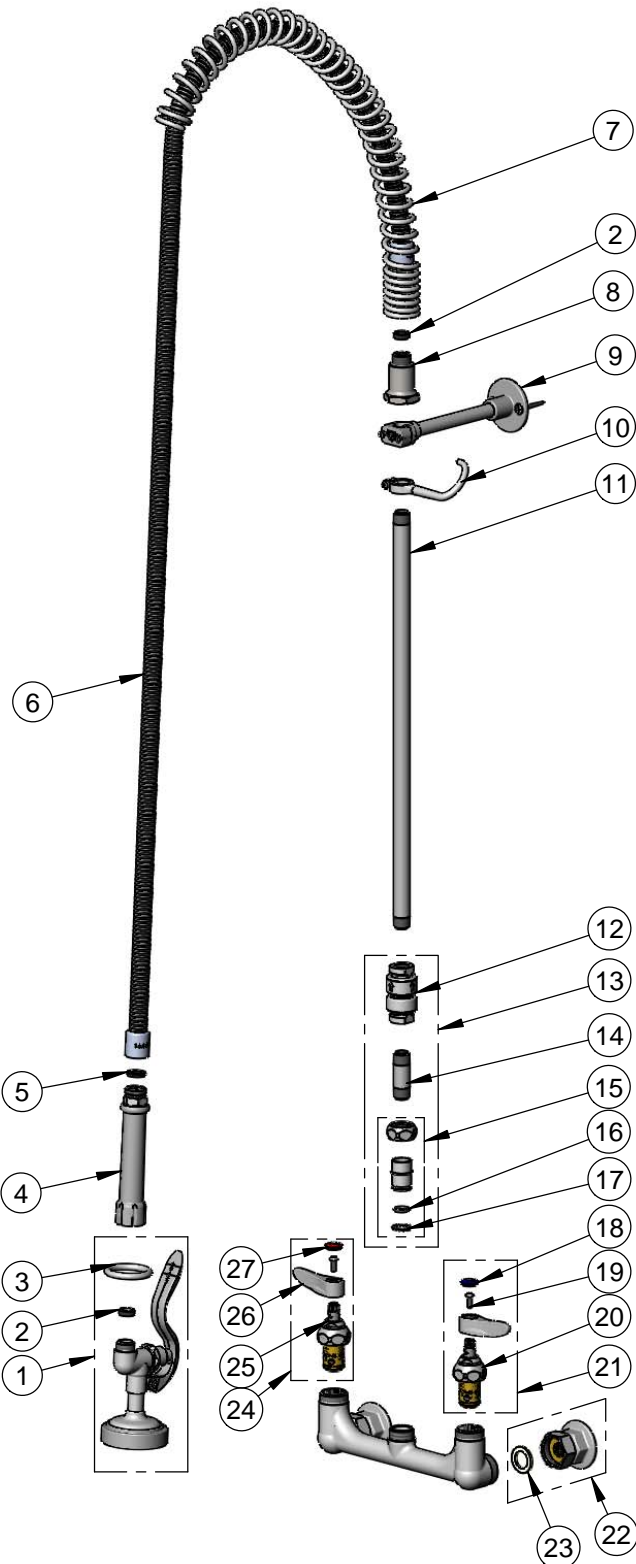
Model No.

B-0133-V-B-68H

Item No.

Travelers Rest, SC: 800-476-4103 • Simi Valley, CA: 800-423-0150 • Fax: 864-834-3518 • www.tsbrass.com

ITEM NO.	SALES NO.	DESCRIPTION
1	B-0107	1.42 GPM Spray Valve
2	010476-45	#27 Washer
3	000907-45	Spray Valve Hold Down Ring
4	002987-40	Grip Handle
5	001014-45	Washer, B-0100 Hose Barrel
6	B-0068-H2A	68" Flexible Stainless Steel Hose, Less Handle
7	000888-45	EasyInstall Overhead Spring
8	000821-40	Spring Body
9	B-0109-01	6" Wall Bracket
10	004R	Finger Hook
11	000369-40	3/8" NPT x 18" Riser
12	B-0970-FE	3/8" NPT Vacuum Breaker
13	B-0970-FEZ	EasyInstall Vacuum Breaker Kit
14	000357-40	Nipple, 3/8" NPT x 2"
15	EZ-K	EasyInstall Kit: Nut, Bushing, O-Ring & Lock Washer
16	001065-45	O-Ring
17	014200-45	Star Washer, Anti-Rotation
18	018506-19NS	Blue Button Index, Press-in
19	000925-45	Lab Handle Screw
20	002711-40	Quarter-Turn Eterna Cartridge, LTC w/ Spring Check, Handle, Index & Screw
21	012442-40NS	Quarter-Turn Eterna Cartridge, LTC w/ Spring Check
22	00AA	1/2" NPT Female Eccentric Flange
23	001019-45	Coupling Nut Washer
24	002712-40	Quarter-Turn Eterna Cartridge, RTC w/ Spring Check, Handle, Index & Screw
25	012443-40NS	Quarter-Turn Eterna Cartridge, RTC w/ Spring Check
26	001638-45NS	Lever Handle (New Style)
27	001193-19NS	Red Button Index, Press-in



Product Specifications:

Pre-Rinse Unit: EasyInstall 8" Wall Mount Mixing Faucet, Quarter-Turn Eterna Cartridges w/ Spring Checks, Lever Handles, 18" Riser, 68" Flexible Stainless Steel Hose, 1.42 GPM Spray Valve, 6" Wall Bracket, 3/8" NPT EasyInstall Vacuum Breaker & 1/2" NPT Female Inlets

Product Compliance:

ASME A112.18.1 / CSA B125.1
NSF 61 - Section 9
NSF 372 (Low Lead Content)
EPA Act 2005 (PRSV)
CSA B64.8 (VB)