



T&S BRASS AND BRONZE WORKS, INC.

2 Saddleback Cove / P.O. Box 1088
Travelers Rest, SC 29690

Model No.

B-0133-R

Item No.

Travelers Rest, SC: 800-476-4103 • Simi Valley, CA: 800-423-0150 • Fax: 864-834-3518 • www.tsbrass.com

This Space for Architect/Engineer Approval

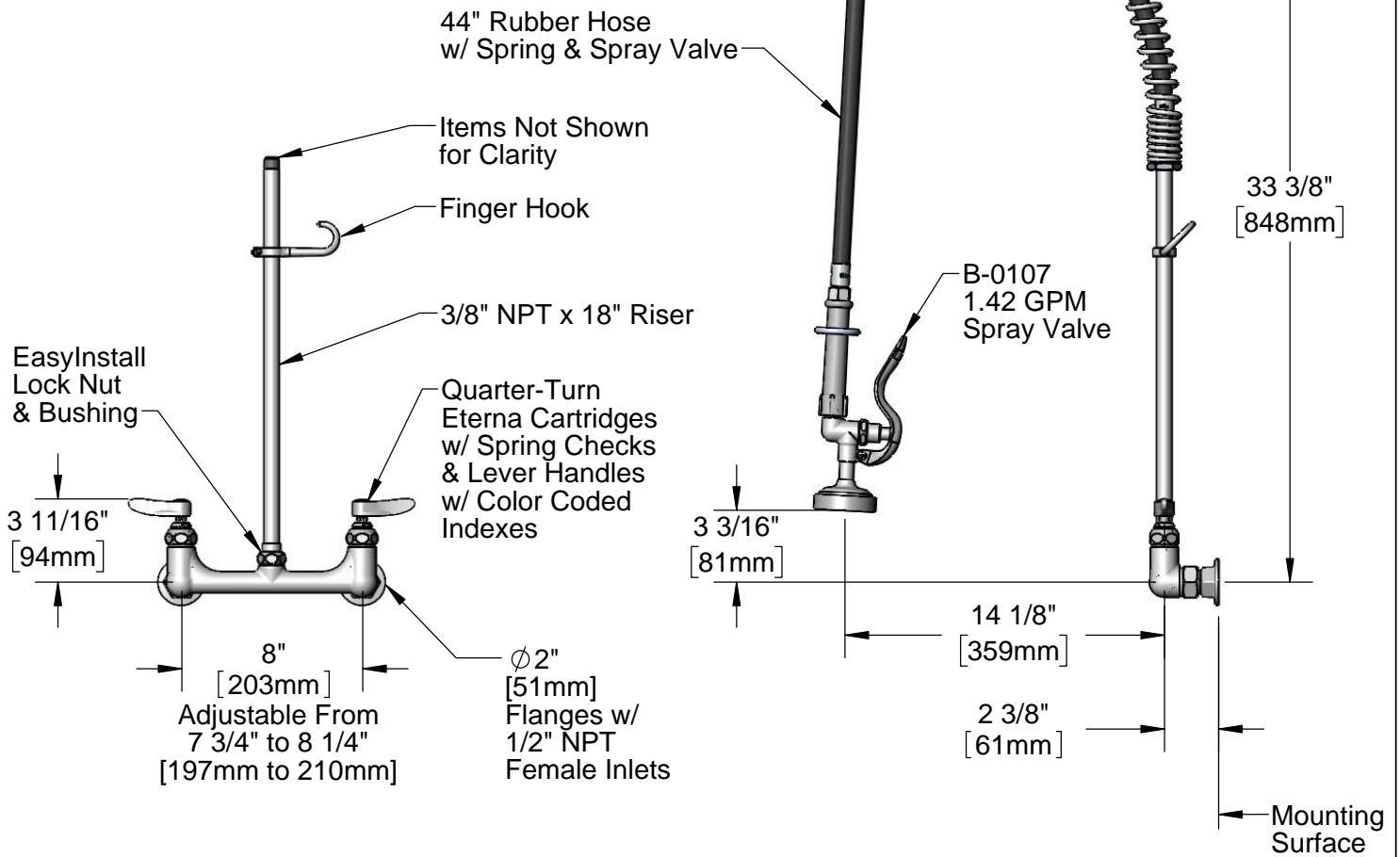
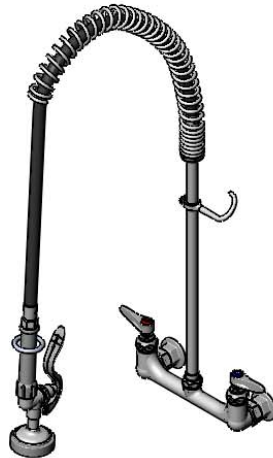
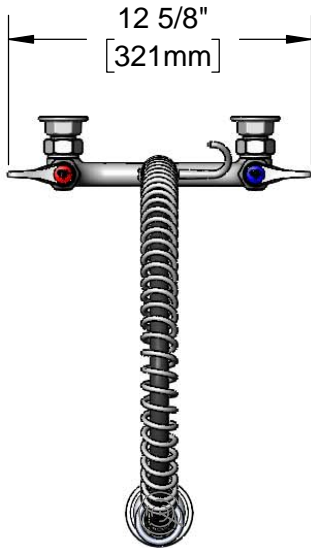
Job Name _____ Date _____

Model Specified _____ Quantity _____

Customer/Wholesaler _____

Contractor _____

Architect/Engineer _____



Product Specifications:

Pre-Rinse Unit: EasyInstall 8" Wall Mount Mixing Faucet, Quarter-Turn Eterna Cartridges w/ Spring Checks, Lever Handles, 44" Reinforced PVC Hose, 1.42 GPM Spray Valve & 1/2" NPT Female Inlets

Product Compliance:

ASME A112.18.1 / CSA B125.1
NSF 61 - Section 9
NSF 372 (Low Lead Content)
EPA Act 2005 (PRSV)



T&S BRASS AND BRONZE WORKS, INC.

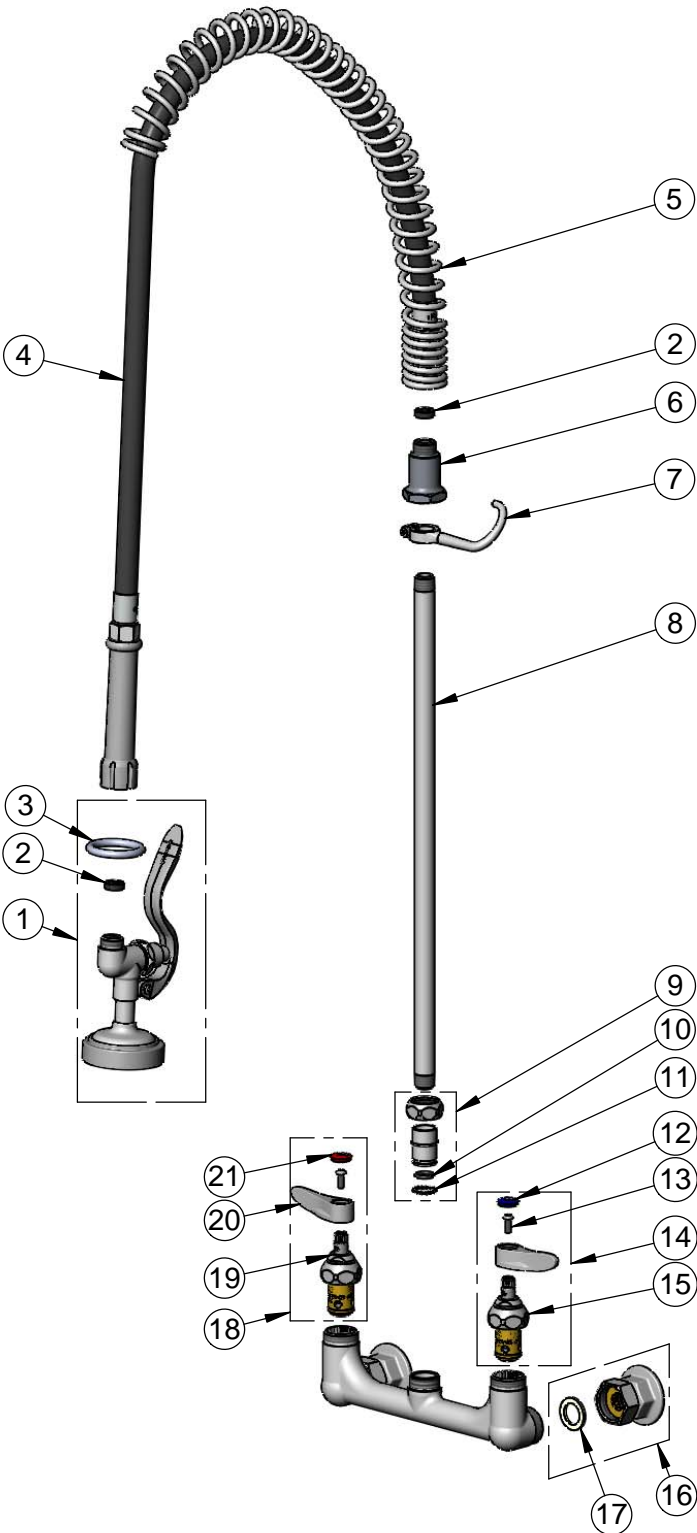
2 Saddleback Cove / P.O. Box 1088
Travelers Rest, SC 29690

Model No.

B-0133-R

Item No.

Travelers Rest, SC: 800-476-4103 • Simi Valley, CA: 800-423-0150 • Fax: 864-834-3518 • www.tsbrass.com



ITEM NO.	SALES NO.	DESCRIPTION
1	B-0107	1.42 GPM Spray Valve
2	010476-45	#27 Washer
3	000907-45	Spray Valve Hold Down Ring
4	B-0044-R	44" Reinforced PVC Hose w/ Gray Grip Handle
5	000888-45	EasyInstall Overhead Spring
6	000821-40	Spring Body
7	004R	Finger Hook
8	000369-40	3/8" NPT x 18" Riser
9	EZ-K	EasyInstall Kit: Nut, Bushing, O-Ring & Lock Washer
10	001065-45	O-Ring
11	014200-45	Star Washer, Anti-Rotation
12	018506-19NS	Blue Button Index, Press-in
13	000925-45	Lab Handle Screw
14	002711-40NS	Quarter-Turn Eterna Cartridge, LTC w/ Spring Check, Handle, Index & Screw
15	012442-40NS	Quarter-Turn Eterna Cartridge, LTC w/ Spring Check
16	00AA	1/2" NPT Female Eccentric Flange
17	001019-45	Coupling Nut Washer
18	002712-40NS	Quarter-Turn Eterna Cartridge, RTC w/ Spring Check, Handle, Index & Screw
19	012443-40NS	Quarter-Turn Eterna Cartridge, RTC w/ Spring Check
20	001638-45NS	Lever Handle (New Style)
21	001193-19NS	Red Button Index, Press-in

Product Specifications:

Pre-Rinse Unit: EasyInstall 8" Wall Mount Mixing Faucet, Quarter-Turn Eterna Cartridges w/ Spring Checks, Lever Handles, 44" Reinforced PVC Hose, 1.42 GPM Spray Valve & 1/2" NPT Female Inlets

Product Compliance:

ASME A112.18.1 / CSA B125.1
NSF 61 - Section 9
NSF 372 (Low Lead Content)
EPA Act 2005 (PRSV)