



T&S BRASS AND BRONZE WORKS, INC.

2 Saddleback Cove / P.O. Box 1088
Travelers Rest, SC 29690

Model No.

B-0133-CR-V-BE

Item No.

Travelers Rest, SC: 800-476-4103 • Simi Valley, CA: 800-423-0150 • Fax: 864-834-3518 • www.tsbrass.com

This Space for Architect/Engineer Approval

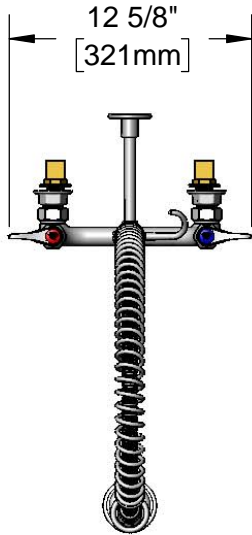
Job Name _____ Date _____

Model Specified _____ Quantity _____

Customer/Wholesaler _____

Contractor _____

Architect/Engineer _____



44" Flexible Stainless Steel Hose w/ Spring & Spray Valve

Items Not Shown for Clarity

Finger Hook

B-0970-FEZ Vacuum Breaker

B-0107 1.42 GPM Spray Valve

B-0109-01 6" Wall Bracket

EasyInstall Lock Nut & Bushing

3/8" NPT x 18" Riser

36 7/8" [937mm]

3 11/16" [93mm]

7 5/16" [186mm]

3/16" [6mm] Maximum Thickness

8" [203mm]
Adjustable from 7 3/4" to 8 1/4" [197mm to 210mm]

Quarter-Turn Cerama Cartridges w/ Check Valves & Lever Handles w/ Color Coded Indexes

14 1/16" [357mm]

2 3/8" [61mm]

Mounting Surface

(2) B-0230-K Short Elbow Installation Kit w/ 1/2" NPT Male Inlets

Rough-In Requirement:
(2) \varnothing 1" [25mm] Mounting Holes

Product Specifications:

Pre-Rinse Unit: EasyInstall 8" Wall Mount Mixing Faucet, Quarter-Turn Cerama Cartridges w/ Check Valves, Lever Handles, 18" Riser, 44" Flexible Stainless Steel Hose, 1.42 GPM Spray Valve, 6" Wall Bracket, Vacuum Breaker & Installation Kit w/ 1/2" NPT Male Inlets

Product Compliance:

ASME A112.18.1 / CSA B125.1
NSF 61 - Section 9
NSF 372 (Low Lead Content)
EPA Act 2005 (PRSV)
CSA B64.8 (VB)



T&S BRASS AND BRONZE WORKS, INC.

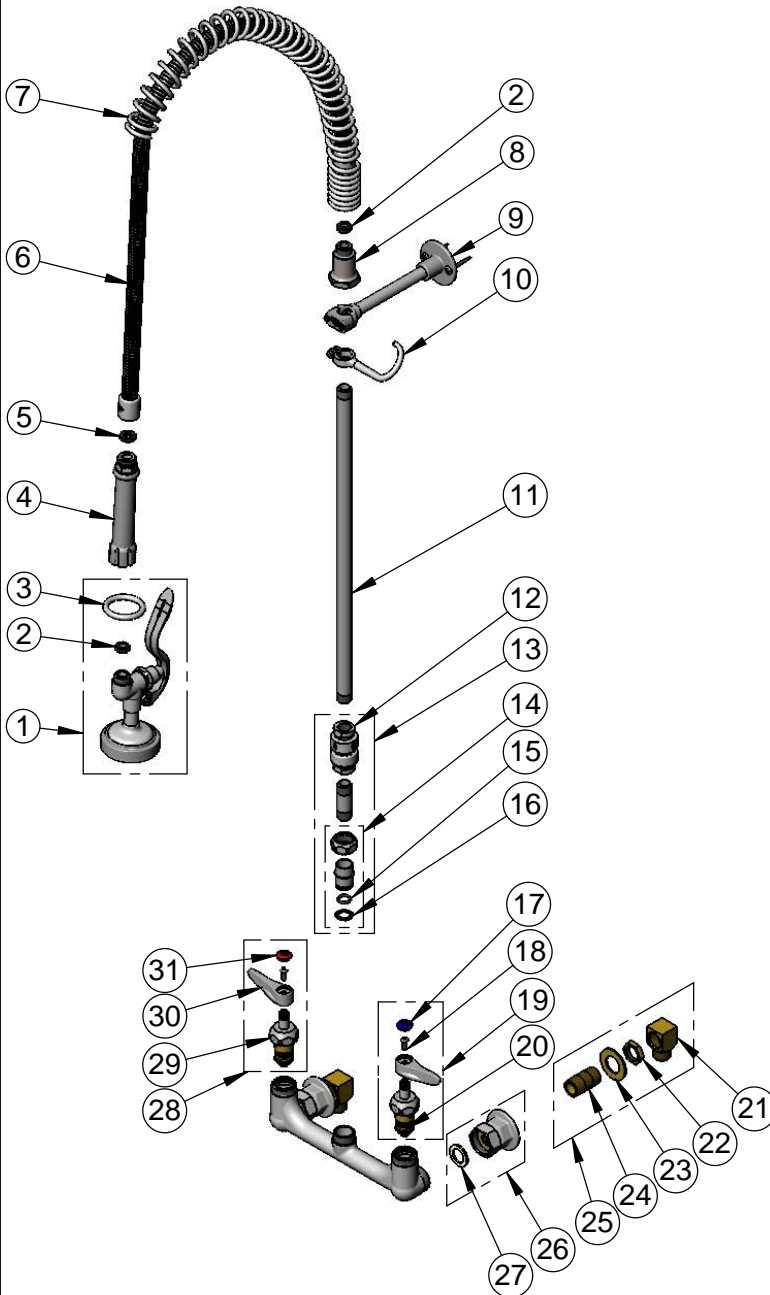
2 Saddleback Cove / P.O. Box 1088
Travelers Rest, SC 29690

Model No.

B-0133-CR-V-BE

Item No.

Travelers Rest, SC: 800-476-4103 • Simi Valley, CA: 800-423-0150 • Fax: 864-834-3518 • www.tsbrass.com



ITEM NO.	SALES NO.	DESCRIPTION
1	B-0107	1.42 GPM Spray Valve
2	010476-45	#27 Washer
3	000907-45	Spray Valve Hold Down Ring
4	002987-40	Grip Handle
5	001014-45	Washer, B-0100 Hose Barrel
6	B-0044-H2A	44" Flexible Stainless Steel Hose, Less Handle
7	000888-45	EasyInstall Overhead Spring
8	000821-40	Spring Body
9	B-0109-01	6" Wall Bracket
10	004R	Finger Hook
11	000369-40	3/8" NPT x 18" Riser
12	B-0970-01	3/8" NPT Vacuum Breaker
13	B-0970-FEZ	3/8" NPT Vacuum Breaker
14	EZ-K	EasyInstall Kit: Nut, Bushing, O-Ring & Lock Washer
15	001065-45	O-Ring
16	014200-45	Star Washer, Anti-Rotation
17	018506-19NS	Blue Button Index, Press-in
18	000925-45	Lab Handle Screw
19	012447-25NS	Quarter-Turn Cerama Cartridge, LTC w/ Check Valve, Handle, Index & Screw
20	012395-25NS	Quarter-Turn Cerama Cartridge, LTC w/ Check Valve
21	B-1100-K	1/2" NPT Male Inlet Elbow
22	002954-45	Shank Lock Nut
23	000999-45	Brass Lock Washer
24	013357-20	1/2" NPT x 1-5/8" Lg. Close Nipple
25	B-0230-K	Short Elbow Installation Kit
26	00AA	1/2" NPT Female Eccentric Flange
27	001019-45	Coupling Nut Washer
28	012446-25NS	Quarter-Turn Cerama Cartridge, RTC w/ Check Valve, Handle, Index & Screw
29	012394-25NS	Quarter-Turn Cerama Cartridge, RTC w/ Check Valve
30	001638-45NS	Lever Handle (New Style)
31	001193-19NS	Red Button Index, Press-in

Product Specifications:

Pre-Rinse Unit: EasyInstall 8" Wall Mount Mixing Faucet, Quarter-Turn Cerama Cartridges w/ Check Valves, Lever Handles, 18" Riser, 44" Flexible Stainless Steel Hose, 1.42 GPM Spray Valve, 6" Wall Bracket, Vacuum Breaker & Installation Kit w/ 1/2" NPT Male Inlets

Product Compliance:

ASME A112.18.1 / CSA B125.1
NSF 61 - Section 9
NSF 372 (Low Lead Content)
EPA Act 2005 (PRSV)
CSA B64.8 (VB)