



# T&S BRASS AND BRONZE WORKS, INC.

2 Saddleback Cove / P.O. Box 1088  
Travelers Rest, SC 29690

Model No.

**B-0133-B08H-EL**

Item No.

Travelers Rest, SC: 800-476-4103 • Simi Valley, CA: 800-423-0150 • Fax: 864-834-3518 • www.tsbrass.com

This Space for Architect/Engineer Approval

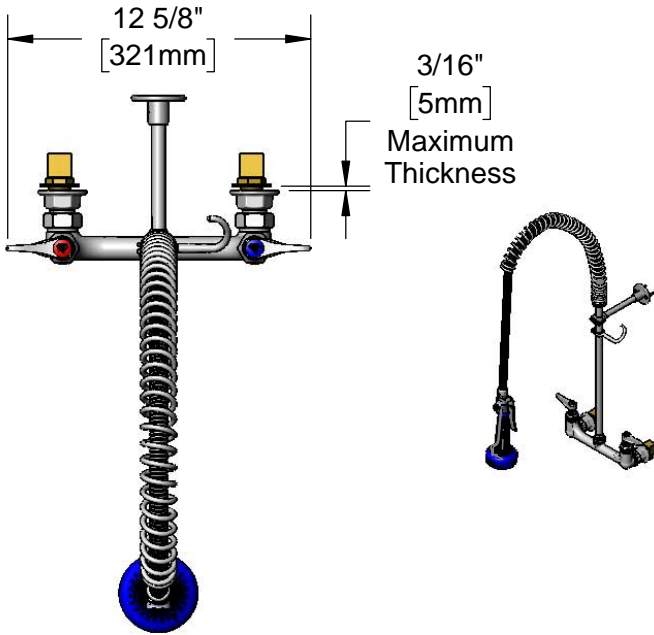
Job Name \_\_\_\_\_ Date \_\_\_\_\_

Model Specified \_\_\_\_\_ Quantity \_\_\_\_\_

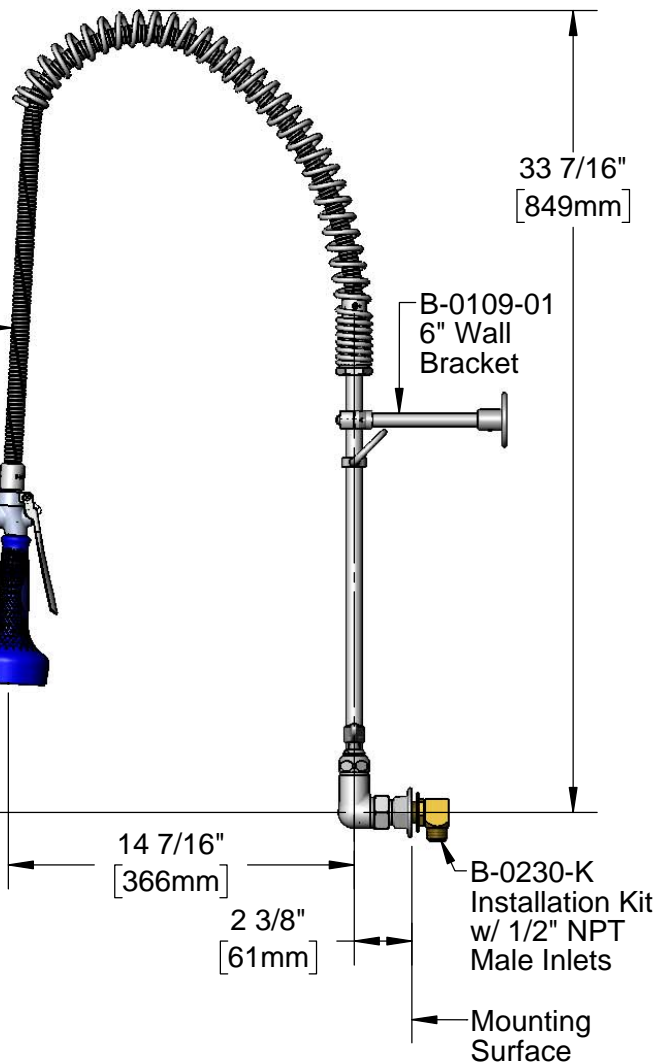
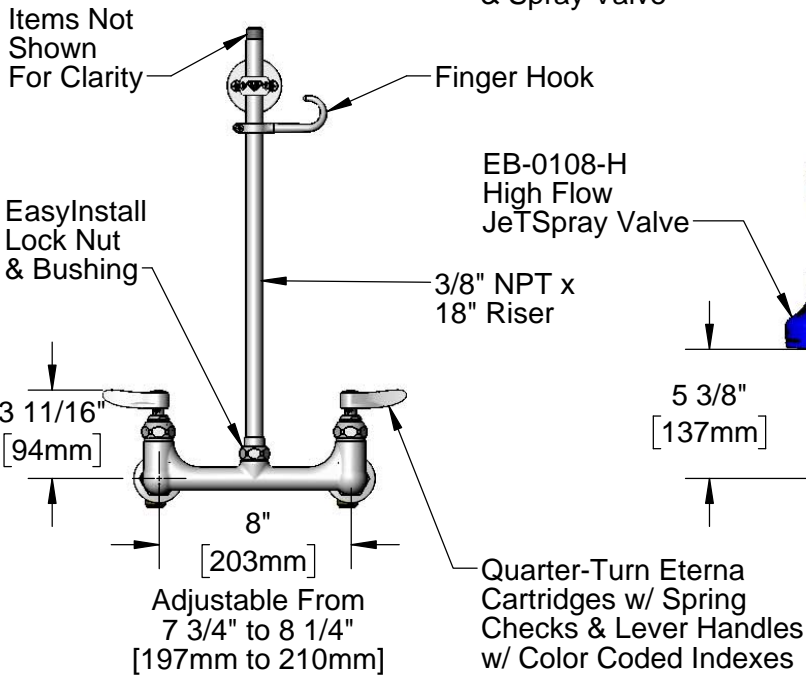
Customer/Wholesaler \_\_\_\_\_

Contractor \_\_\_\_\_

Architect/Engineer \_\_\_\_\_



44" Flexible Stainless Steel Hose w/ Spring & Spray Valve



Rough-In Requirement:  
(2)  $\phi$  1" [25mm] Mounting Holes

Product Specifications:  
EasyInstall 8" Wall Mount Mixing Faucet, Quarter-Turn Eterna Cartridges w/ Spring Checks, Lever Handles, 44" Flexible Stainless Steel Hose, High Flow JeTSpray Valve, 6" Wall Bracket & 1/2" NPT Female Inlets w/ 1/2" NPT Male Inlet Installation Kit

Product Compliance:  
ASME A112.18.1 / CSA B125.1  
NSF 61 - Section 9  
NSF 372 (Low Lead Content)  
EPA Act 2005 Non-Compliant (PRSV)  
Product Not Designed/Intended for Commercial Warewashing in North America



# T&S BRASS AND BRONZE WORKS, INC.

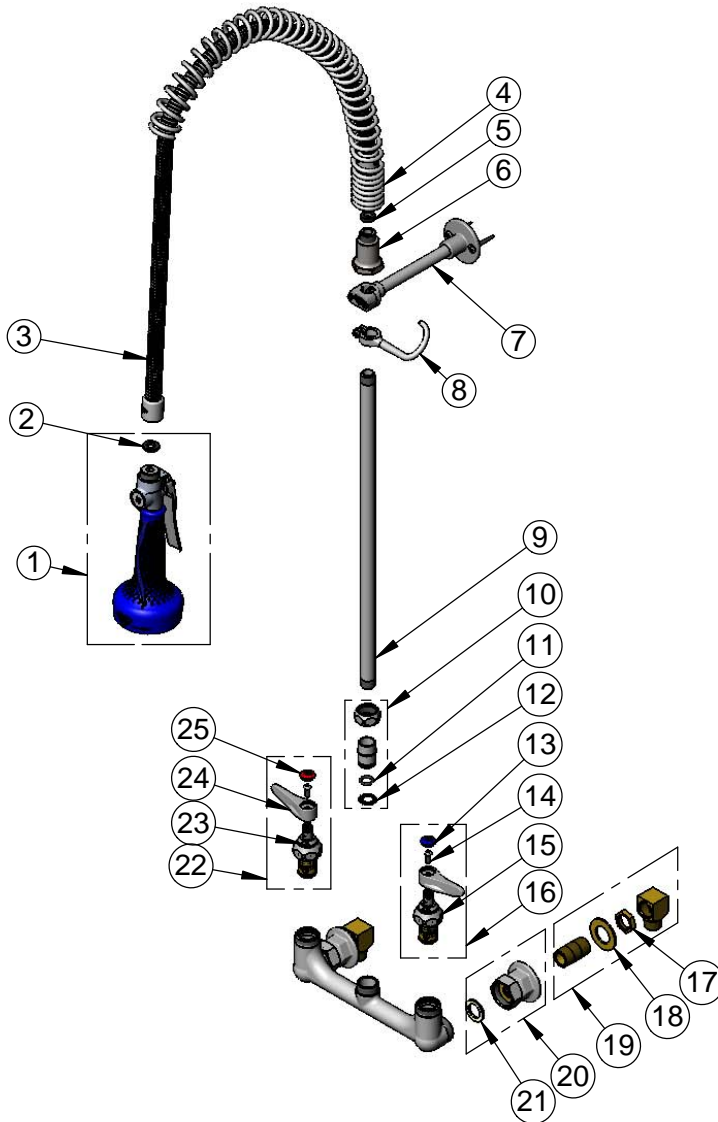
2 Saddleback Cove / P.O. Box 1088  
Travelers Rest, SC 29690

Model No.

**B-0133-B08H-EL**

Item No.

Travelers Rest, SC: 800-476-4103 • Simi Valley, CA: 800-423-0150 • Fax: 864-834-3518 • www.tsbrass.com



ITEM NO.	SALES NO.	DESCRIPTION
1	EB-0108-H	High Flow Spray Valve w/ Ergo Grip
2	001014-45	Washer, B-0100 Hose Barrel
3	B-044H2A	44" Flexible Stainless Steel Hose, Less Handle
4	000888-45	EasyInstall Overhead Spring
5	010476-45	#27 Washer
6	000821-40	Spring Body
7	B-0109-01	6" Wall Bracket
8	004R	Finger Hook
9	000369-40	3/8" NPT x 18" Riser
10	EZ-K	EasyInstall Kit: Nut, Bushing, O-Ring & Lock Washer
11	001065-45	O-Ring
12	014200-45	Star Washer, Anti-Rotation
13	018506-19NS	Blue Button Index, Press-in
14	000925-45	Lab Handle Screw
15	012442-40NS	Eterna Bonnet (New Style)
16	002711-40NS	Quarter-Turn Eterna Cartridge, LTC w/ Spring Checks, Handle, Index & Screw
17	002954-45	Shank Lock Nut
18	000999-45	Brass Lock Washer
19	B-0230-K	Short Elbow Installation Kit
20	00AA	1/2" NPT Female Eccentric Flange
21	001019-45	Coupling Nut Washer
22	002712-40NS	Quarter-Turn Eterna Cartridge, RTC w/ Spring Checks, Handle, Index & Screw
23	0124432-40NS	Quarter-Turn Eterna Cartridge, RTC w/ Spring Checks
24	001638-45NS	Lever Handle (New Style)
25	001193-19NS	Red Button Index, Press-in

**Product Specifications:**

EasyInstall 8" Wall Mount Mixing Faucet, Quarter-Turn Eterna Cartridges w/ Spring Checks, Lever Handles, 44" Flexible Stainless Steel Hose, High Flow JeTSpray Valve, 6" Wall Bracket & 1/2" NPT Female Inlets w/ 1/2" NPT Male Inlet Installation Kit

**Product Compliance:**

ASME A112.18.1 / CSA B125.1  
NSF 61 - Section 9  
NSF 372 (Low Lead Content)  
EPA Act 2005 Non-Compliant (PRSV)  
Product Not Designed/Intended for  
Commercial Warewashing in North America